

TELEX[®]

Audiocom[®]

BASIC INTERCOM APPLICATION GUIDELINE

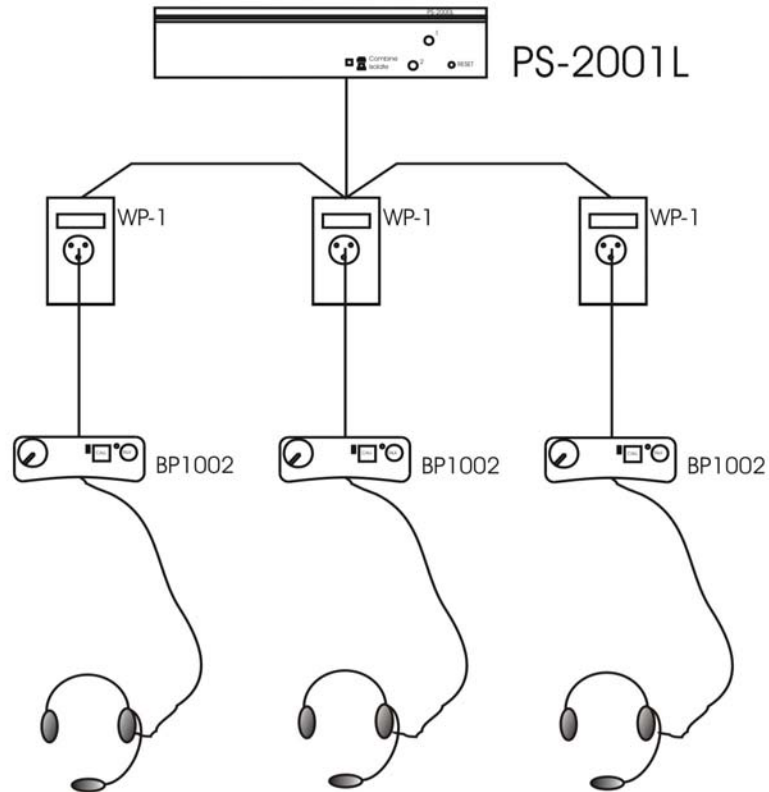
By: Christian Latzelsberger

Telex Communications, Inc.
12000 Portland Avenue South
Burnsville, MN 55337
Tel: (800) 392-3497
Fax: (800) 323-0498



TELEX
COMMUNICATIONS
BE HEARD

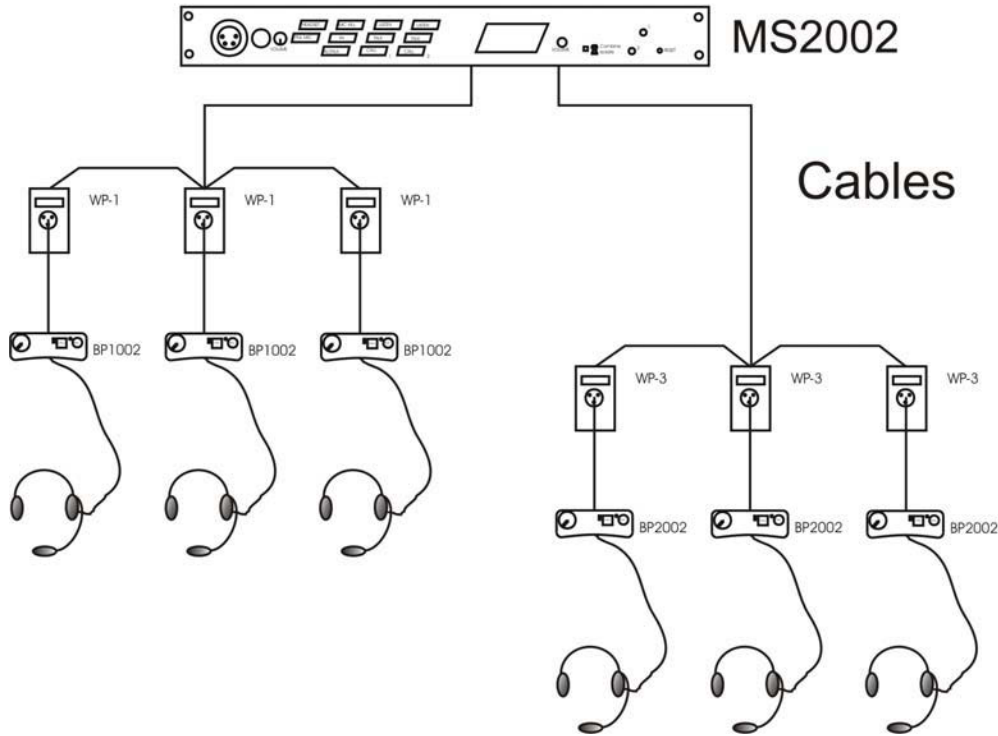
Audiocom Example 1 1 Channel Party Line with Wallplates



| Qty | Model No. | Description | Part Number |
|-----|-----------|---|-------------|
| 1 | PS-2001L | 2 channel Power Supply | 90007702000 |
| 1 | RMK-S | Rack Mount adapter for PS 2001L (Option) | 90007352000 |
| 3 | WP-1 | Wall Plate single channel, 3 pin XLR | 96136000 |
| 3 | BP-1002 | 1 channel Beltpack | 90007740000 |
| 2 | PH-88 | Single sided Lightweight headset (other Headsets see price list) | 300852200 |
| 1 | PH-44 | Dual sided Lightweight headset (other Headsets see price list) | 300853400 |
| 3 | ME-100 | 100' (30.4m) Intercom cable to connect BP1002 and WP-1 (Other cable length see price list) | 96150002 |
| 1 | | Cable between PS-2001L and WP-1 (specified cable Type is Belden 8723 or equivalent) | |

Please read also our detailed "Intercom Systems Application guide" for further examples or modify the System on your own as the 2 channel PS-2001L can handle up to 20 Beltpacks (10 units per channel).

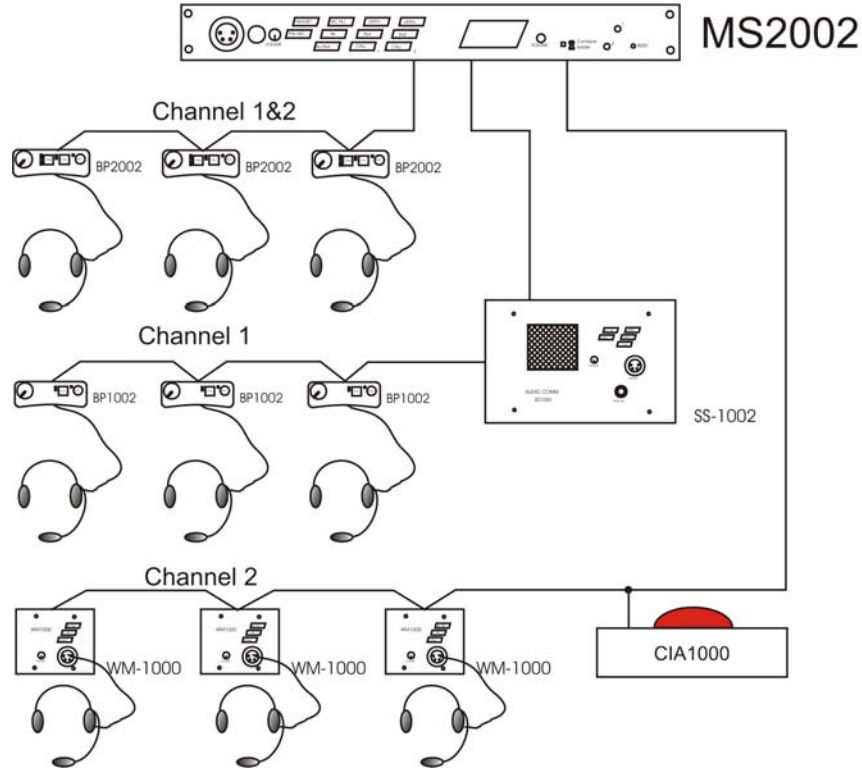
**Telex Audiocom Example 2
2 Channel Party Line with Master Station**



| Qty | Model No. | Description | Part Number |
|--------|-----------|--|-------------|
| 1 | MS 2002 | 2 channel Master Station incl. Power Supply | 90007749000 |
| 1 | MCP 90-12 | 12" gooseneck mic for MS 2002 (other length see price list) | MCP-90-12 |
| 3 | WP-1 | Wall Plate single channel, 3 pin XLR to use with BP-1002 | 96136000 |
| 3 | BP-1002 | 1 channel Beltpack | 90007740000 |
| 3 | WP-3 | Wall Plate dual channel, 6 pin XLR to use with BP-2002 | 96136002 |
| 3 | BP-2002 | 2 channel Beltpack | 90007740001 |
| 3 | PH-88 | Single sided Lightweight headset (other Headsets see price list) | 300852200 |
| 3 | PH-44 | Dual sided Lightweight headset (other Headsets see price list) | 300853400 |
| 3 | ME-100 | 100' (30.4m) Intercom cable to connect BP1002 and WP-1 (Other cable length see price list) | 96150002 |
| 3 | ME-100/2 | 100' (30.4m) Intercom cable to connect BP2002 and WP-3 (Other cable length see price list) | 96151002 |
| 1 each | | Cable between MS-2002 and WP-1 (specified cable Type is Belden 8723 or equivalent); MS-2002 and WP-3 (Belden 8777 or equivalent) | |

Please read also our detailed "Intercom Systems Application guide" for further examples or modify the System on your own as the 2 channel MS2002 can handle up to 10 Beltpacks per channel.

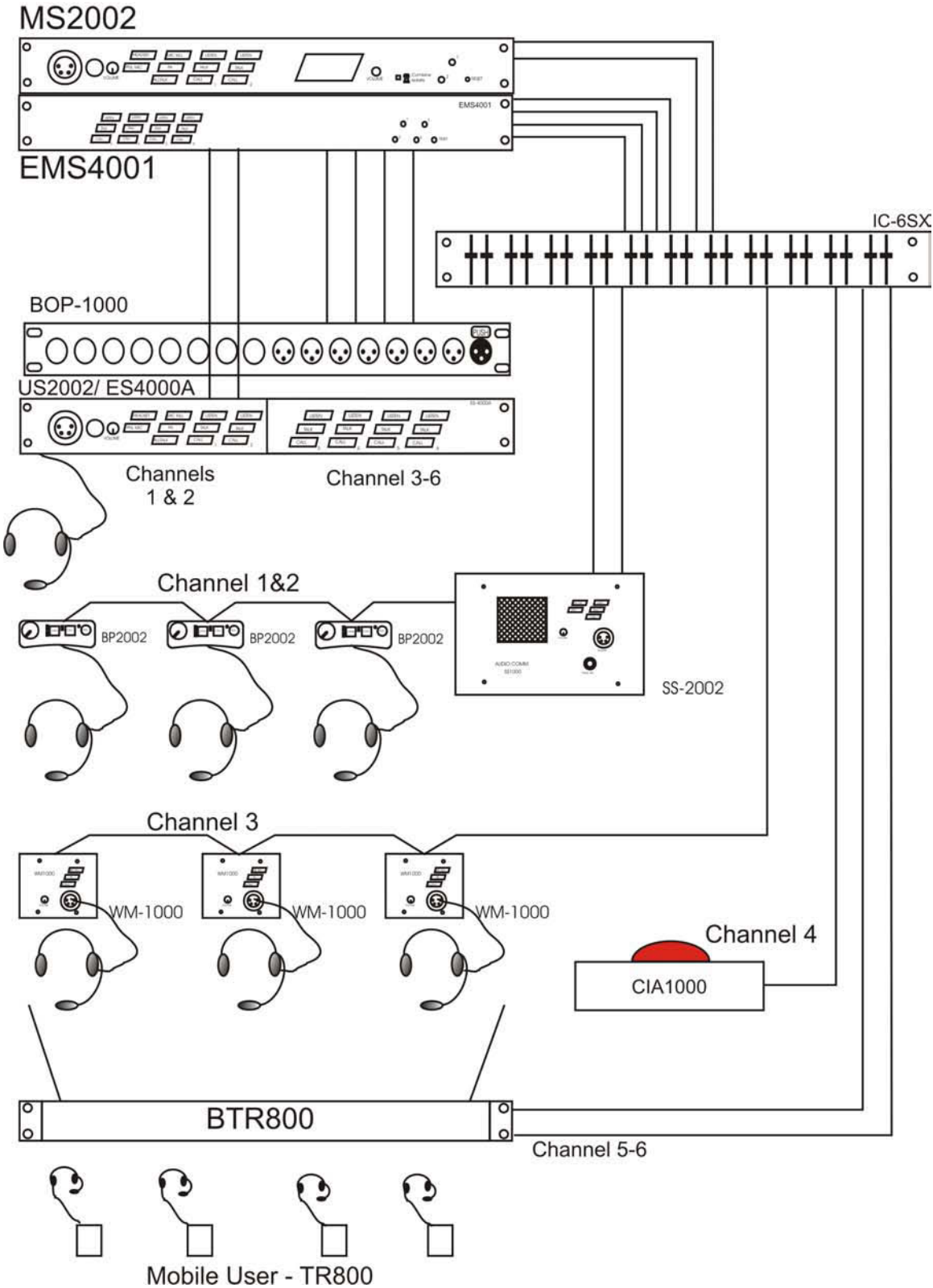
**Telex Audiocom Example 3
2 Channel Party Line System with Wall Stations**



| Qty | Model No. | Description | Part Number |
|-----|-----------|--|-------------|
| 1 | MS 2002 | 2 channel Master Station incl. Power Supply | 90007749000 |
| 1 | MCP 90-12 | 12" gooseneck mic for MS 2002 (other length see price list) | MCP-90-12 |
| 3 | BP-1002 | 1 channel Beltpack | 90007740000 |
| 3 | BP-2002 | 2 channel Beltpack | 90007740001 |
| 3 | WM-1000 | 1 channel Headset Station | 90007621000 |
| 1 | SS-1002 | 1 channel Speaker Station (no enclosure, other models see price list) | 90007741000 |
| 1 | MCP 90-12 | Optional 12" gooseneck mic for SS-1002 (other length see price list) | MCP-90-12 |
| 4 | PH-88 | Single sided Lightweight headset (other Headsets see price list) | 300852200 |
| 5 | PH-44 | Dual sided Lightweight headset (other Headsets see price list) | 300853400 |
| 3 | ME-100 | 100' (30.4m) Intercom cable to connect Beltpacks BP1002; 1*cable to connect MS2002 and CIA1000 (Other cable length see price list) | 96150002 |
| 3 | ME-100/2 | 100' (30.4m) Intercom cable to connect Beltpacks BP2002 and MS2002 (Other cable length see price list) | 96151002 |
| 2 | | Cable between MS-2002 and SS1002; SS1002 and BP 1002 (specified cable Type is Belden 8723 or equivalent) | |
| 3 | | Cable between CIA100 and WM 1000; cable between WM1000's (specified cable Type is Belden 8723 or equivalent) | |

Telex Audiocom Example 4

6 Channel System combined with Wireless Intercom



| Qty | Model No. | Description | Part Number |
|-----|------------|--|-------------|
| 1 | MS 2002 | 2 channel Master Station incl. Power Supply | 90007749000 |
| 1 | EMS 4001 | 4 channel expansion Station incl. Power Supply | 90007713000 |
| 1 | MCP 90-12 | 12" gooseneck mic for MS 2002 (other length see price list) | MCP-90-12 |
| 1 | US 2002 | 2 channel ½ rack wide User Station (no power Supply) | 90007748000 |
| 2 | ES-4000A | 4 channel ½ rack wide User Station (no power Supply) | 90007551000 |
| 1 | RMK-D | Dual Rack Mount adapter for US2002 and ES-4000A | 90007353000 |
| 1 | BOP 1000 | 19" Mounting frame for XCP | 90027428000 |
| 1 | XCP-ES4000 | 15 pin connector on ES-4000A into 8 *XLR-3 (4m/4f) | 90027428001 |
| 1 | SS-2002 | 2 channel Speaker Station (no enclosure, other models see price list) | 90007741000 |
| 1 | MCP 90-12 | Optional 12" gooseneck mic for SS-2002 (other length see price list) | MCP-90-12 |
| 3 | BP-2002 | 2 channel Beltpack | 90007740001 |
| 3 | WM-1000 | 1 channel Headset Station | 90007621000 |
| 1 | CIA-1000 | Call light Box (different variations see price list) | 90007658000 |
| 1 | IC-6SX | Source assign panel for 6 Intercom channels | 90007690000 |
| 1 | BTR-800 | 2 channel UHF wireless Intercom Base Station | 71305XX |
| 4 | TR-800 | 2 channel UHF wireless Intercom Beltpack | 71306XX |
| 1 | BC-1NM4 | 4 bay charger incl. 4 NHM packs for TR-800 (Option) | 301778100 |
| 2 | ALP-450 | Directional log. Periodic antenna for BTR-800 (Option) | 71147000 |
| 6 | PH-88 | Single sided Lightweight headset (other Headsets see price list) | 300852200 |
| 5 | PH-44 | Dual sided Lightweight headset (other Headsets see price list) | 300853400 |
| 6 | ME-100 | 100' (30.4m) Intercom cable to connect MS and US2002/ES-4000A Stations (Other cable length see price list) | 96150002 |
| 6 | ME-100 | 100' (30.4m) Intercom cable to connect MS and IC-6SX (Other cable length see price list) | 96150002 |
| 2 | ME-25 | 25' (7.6m) Intercom cable to connect IC-6SX and BTR-800 (Other cable length see price list) | 96150000 |
| 1 | ME-50 | 50' (15.2m) Intercom cable to connect IC-6SX and CIA-1000 (Other cable length see price list) | 96150001 |
| 1 | ME-25/2 | 25' (7.6m) Intercom cable to connect BP2002 and BP2002 (Other cable length see price list) | 96151000 |
| 1 | ME-50/2 | 50' (15.2m) Intercom cable to connect BP2002 and BP2002 (Other cable length see price list) | 96151001 |
| 1 | | Cable between BP2002 and SS-2002 (Specified cable Type is Belden 8777 or equivalent) | |
| 1 | | Cable between IC-6SX and SS-2002 (Specified cable Type is Belden 8777 or equivalent) | |
| 1 | | Cable between IC-6SX and WM-1000 (Specified cable Type is Belden 8723 or equivalent) | |

Telex Communications, Inc.

Audiocom[®] **RadioCom**[™] **RTS**[™]

Literature request:

Name _____

Address _____

City/State/Zip _____

Phone _____

Email _____

QTY

Catalog/CD

| | |
|--|--|
| | Detailed Intercom Systems Application Guide |
| | Handbook of Intercom Systems Engineering |
| | Intercom Products CD |

QTY

Brochures

| | |
|--|--|
| | Telex Intercom- Audiocom (Wired) |
| | Telex Intercom- Radiocom (Wireless) |
| | Telex Intercom- Headsets |
| | RTS Two Wire |
| | RTS Digital Matrix |

Please note any other requests you may have.

Please Fax this request form to (952) 887-9149

OR

Email your request to proaudio.literature@us.telex.com