

TIF-4000 Telephone Interface

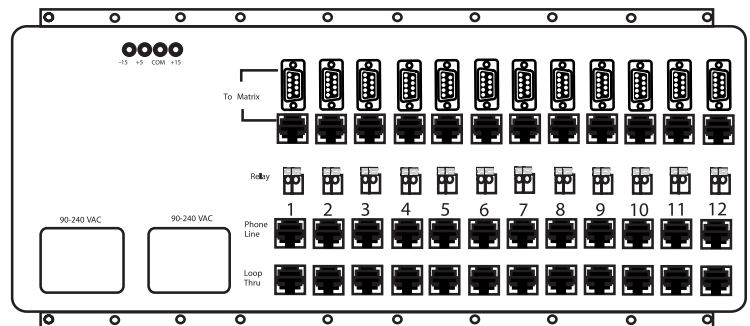
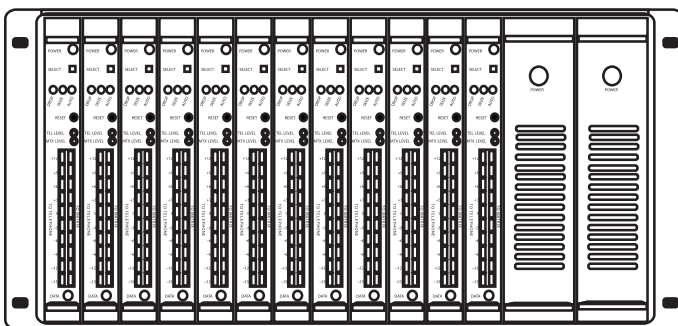


The TIF-4000 is a frame of up to 12 digital telephone interface cards (TIF-4000 front card), with a redundant power supply. The TIF-4000 is designed to be compatible with ADAM, ADAM-M, and Zeus intercom systems. It provides bidirectional communication between the intercom matrix and an analog telephone line. It allows the phone to access all crosspoints of the matrix, as well as dynamic party lines, IFB circuits, and other forms of communications. The 4 RU high, rack-mountable TIF-4000 provides a transparent link to the telephone system enabling full dial-out capability from any designated keypanel with keypad. The TIF-4000 has full dial-in capability giving the caller a keypanel on the system via commands from the DTMF pad on their telephone.

Features

- Redundant power supply
- 12-card TIF frame in a 4 RU space
- Auto or manual answer
- Select security code or none
- Select number of rings before answer
- Caller can be locked to one (1) matrix point
- Up to 16 panels may be selected to ring
- Call in directly to party line or IFB

Line Drawing



Specifications

Matrix Input/Output:

0 dBu to +20dBu

Telephone Input/Output:

-30dBu to +6dBu

Noise (200Hz to 3.8kHz):

-40dBu or less

Harmonic Distortion (300Hz to 3.8kHz):

Intercom Side: -30dBu or less

Telephone Side: -25dBu or less

Frequency Response:

300Hz to 3.8kHz +0 dB, -6dB

Matrix Connectors:

DB-9 Female; RJ-12 Female

Telephone Line Connector:

RJ-11

Telephone Loop-Thru Connector:

RJ-11

Power Requirements

Universal Power Supply: 100–240VAC, 50/60Hz

Power Dissipation

TIF-4000 Full Frame (12 TIF Cards): 750mA @ -15V; 1A @ +15V; 9A @ +5V

TIF-4000 Individual Card: 60mA @ -15V; 70mA @ +15V; 750mA @ +5V

Environmental

Operating Temperature: 32°F to 122°F (0°C to 50°C)

Storage Temperature: -22°F to 158°F (-30°C to 70°C)

Dimensions: 19" W x 6.97" H x 12.8" D (25mm W x 177mm H x 325mm D)

Weight: 28.45lbs. (12.9kg)

Approvals

FCC Part 68. EM 55022/FCC15B

Order Information

TIF-4000-PI • TIF-4000 Frame • Telephone Interface
90207818000 • TIF-4000 Card • Front Card

The specification information is preliminary and is subject to change without notification.
Brand names mentioned are the property of their respective companies.