

Universal Beltpack Technical Manual BP-4000 & BP-5000



Proprietary Notice

The product information and design disclosed herein were originated by and are the property of Bosch Security Systems, Inc. Bosch reserves all patent, proprietary design, manufacturing, reproduction, use and sales rights thereto, and to any article disclosed therein, except to the extent rights are expressly granted to others.

Copyright Notice

Copyright 2017 by Bosch Security Systems, Inc. All rights reserved. Reproduction, in whole or in part, without prior written permission from Bosch is prohibited.

*All other trademarks are property of their respective owners.

Warranty and Service Information

For warranty and service information, refer to the appropriate web site below:

- RTS Intercoms www.rtsintercoms.com/warranty
- RTS Digital
- RTSTW
- AudioCom
- RadioCom
- Intercom Headsets

Customer Support

Technical questions should be directed to:




Customer Service Department
Bosch Security Systems, Inc.
www.rtsintercoms.com

Technical Questions

Bosch Security Systems Technical Support
http://www.rtsintercoms.com/contact_main.php

Disclaimer

The manufacturer of the equipment described herein makes no expressed or implied warranty with respect to anything contained in this manual and shall not be held liable for any implied warranties of fitness for a particular application or for any indirect, special, or consequential damages. The information contained herein is subject to change without prior notice and shall not be construed as an expressed or implied commitment on the part of the manufacturer.

 <p>THE LIGHTNING FLASH AND ARROWHEAD WITHIN THE TRIANGLE IS A WARNING SIGN ALERTING YOU OF “DANGEROUS VOLTAGE” INSIDE THE PRODUCT.</p>	 <p>CAUTION: TO REDUCE THE RISK OF ELECTRIC SHOCK, DO NOT REMOVE COVER. NO USER-SERVICEABLE PARTS INSIDE. REFER SERVICING TO QUALIFIED SERVICE PERSONNEL.</p>	 <p>THE EXCLAMATION POINT WITHIN THE TRIANGLE IS A WARNING SIGN ALERTING YOU OF IMPORTANT INSTRUCTIONS ACCOMPANYING THE PRODUCT.</p>
SEE MARKING ON BOTTOM/BACK OF PRODUCT.		

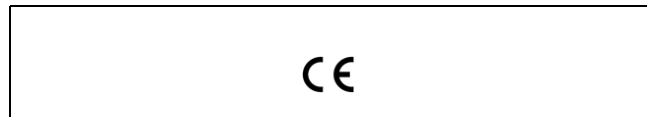
WARNING: APPARATUS SHALL NOT BE EXPOSED TO DRIPPING OR SPLASHING AND NO OBJECTS FILLED WITH LIQUIDS, SUCH AS VASES, SHALL BE PLACED ON THE APPARATUS.

WARNING: THE MAIN POWER PLUG MUST REMAIN READILY OPERABLE.

CAUTION: TO REDUCE THE RISK OF ELECTRIC SHOCK, GROUNDING OF THE CENTER PIN OF THIS PLUG MUST BE MAINTAINED.

WARNING: TO REDUCE THE RISK OF FIRE OR ELECTRIC SHOCK, DO NOT EXPOSE THIS APPARATUS TO RAIN OR MOISTURE.

WARNING: TO PREVENT INJURY, THIS APPARATUS MUST BE SECURELY ATTACHED TO THE FLOOR/WALL/RACK IN ACCORDANCE WITH THE INSTALLATION INSTRUCTIONS.



Important Safety Instructions

1. Read these instructions.
2. Keep these instructions.
3. Heed all warnings.
4. Follow all instructions.
5. Do not use this apparatus near water.
6. Clean only with dry cloth.
7. Do not block any ventilation openings. Install in accordance with the manufacturer's instructions.
8. Do not install near any heat sources such as radiators, heat registers, stoves, or other apparatus (including amplifiers) that produce heat.
9. Do not defeat the safety purpose of the polarized or grounding-type plug. A polarized plug has two blades with one wider than the other. A grounding type plug has two blades and a third grounding prong. The wide blade or the third prong are provided for your safety. If the provided plug does not fit into your outlet, consult an electrician for replacement of the obsolete outlet.
10. Protect the power cord from being walked on or pinched particularly at plugs, convenience receptacles, and the point where they exit from the apparatus.
11. Only use attachments/accessories specified by the manufacturer.
12. Use only with the cart, stand, tripod, bracket, or table specified by the manufacturer, or sold with the apparatus. When a cart is used, use caution when moving the cart/apparatus combination to avoid injury from tip-over.
13. Unplug this apparatus during lightning storms or when unused for long periods of time.
14. Refer all servicing to qualified service personnel. Servicing is required when the apparatus has been damaged in any way, such as power-supply cord or plug is damaged, liquid has been spilled or objects have fallen into the apparatus, the apparatus has been exposed to rain or moisture, does not operate normally, or has been dropped.

Table of Contents

Important Safety Instructions	3
INTRODUCTION	7
<i>Features</i>	7
<i>Reference View</i>	8
<i>External Connections and Controls</i>	9
<i>Connector Description</i>	10
XLR (3-Pin)	10
XLR (4-Pin)	10
XLR (5-Pin)	10
<i>Specifications</i>	11
<i>System Configuration and Power</i>	13
System Configuration	13
Power	13
Channel Power	13
Local Power	16
INITIAL SETUP AND CONFIGURATION	17
<i>Initial BP-4000/5000 Setup</i>	17
UBP (Universal Beltpack) Initialization Troubleshooting Table	18
Setup Mode Indication	19
Mode-Sensing Setup	19
Firmware Version	19
<i>Programming the Beltpack</i>	20
Enter Program Menu	20
Exit Program Menu	20
<i>Menu System</i>	21
Mode Menu	22
Talk Mode Menu	23
Mic Gain Menu	24

Sidetone Adjust Menu 24
Incoming Call Beep Menu 25
Channel Lock Menu (RTS Mode Only) 25
Power Source Menu (RTS Mode Only) 26
Mic Kill Menu (RTS and Audiocom Mode Only) 26
Send Mic Kill Menu (RTS and Audiocom Mode Only) 27
LEDs Menu 27
Factory Reset 28

OPERATION AND MAINTENANCE 29

Operation 29
 Adjust the Volume 29
 Change the Channel (BP-5000) 29
Maintenance 30
 Replace the Beltclip 30
 Set Local Power 31

Introduction

The Universal Beltpacks are portable user stations compatible with RTS, Audiocom, and Clear-Com party line systems. They are available in 1-channel and 2-channel versions. Both have the mode-sensing system configuration, meaning the beltpacks can determine what type of system they are installed into and configure themselves according to that system.

The BP-4000 and BP-5000 can be ordered with either a 4-pin male, 4-pin female or 5-pin female XLR connector, providing a wide range of headset options. Dynamic and electret headset microphones are supported.

Multiple programming options are available. To simplify programming, voice prompts guide the user through menus.

Beltpacks are available in black only.

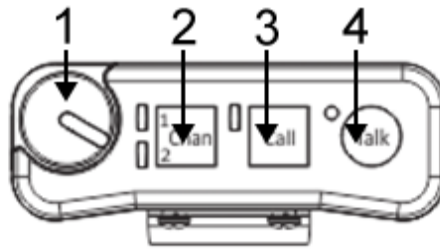
Features

- Voice prompts for simplified configuration
- Remote Mic Kill turns off all active microphones, reducing background noise
- Programmable TALK button, (Always) On, (Always) Off, Switched, or Momentary
- Mode-sensing System Configuration
- Updated design for modern, sleek appearance
- Reduced current draw allows for more beltpacks being powered by the power supply
- Auto-sensing headset inputs, electret or dynamic

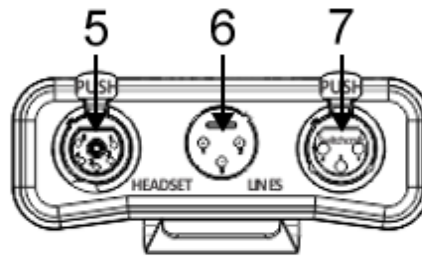
Reference View



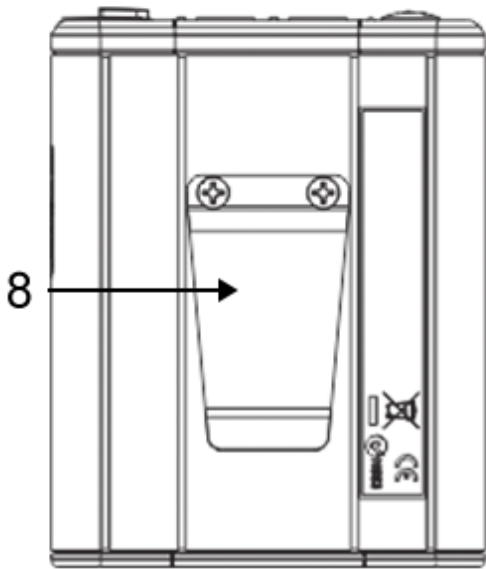
Front



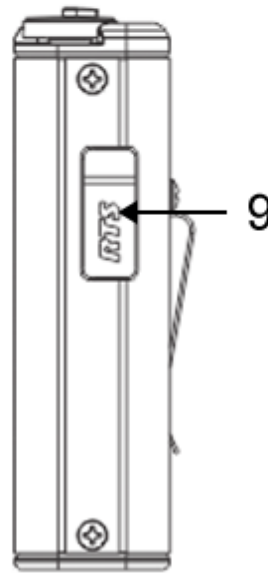
Top



Bottom



Back



Side

FIGURE 1. Reference View

External Connections and Controls

NOTE: The numbers refer to the corresponding call-out numbers in Figure 1.

1. **Volume Control:** Use this control to adjust the headset/headphone listen level.
2. **CHAN Select Button and Indicator Lights (BP-5000 only):** Use the CHAN button to select the available/active intercom channel. A blue indicator light displays next to the channel displaying the active channel.
3. **CALL Button and Indicator:** The CALL button is used to send signals to other devices on the selected intercom channel. The CALL indicator lights when any call is detected on the network.
4. **TALK button and Indicator:** The TALK button activates the headset microphone and operates in either switched, momentary mode, always on, or always off. For more information, see “Talk Mode Menu” on page 23
5. **Headset Connector:** The connector accepts an RTS headset with a boom microphone.
6. **Line Connector:** The BP-4000/5000 intercom channel is connected via a 3-pin female connector and is powered through the intercom system power supply.
7. **Loop Through Connector:** The 3-pin male loop-through connector is used to daisy-chain up to 40 beltpacks on one power supply.
8. **Belt Clip:** The belt clip securely attaches to clothing.
9. **USB Connector:** The USB connector is used for service only.

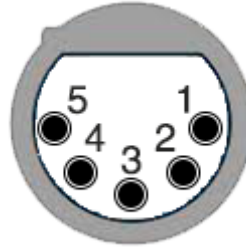
Connector Description

XLR (5-Pin)

XLR (3-Pin)

Female

Male



XLR-3			
Pin	RTS	Audiocom	Clear-Com
1	GND	GND	GND
2	RTS CH 1 ^a	CH1 Hi	Power
3	RTS CH 2	CH1 Lo	Audio

5-Pin XLR	
Pin	Description
1	GND
2	Mic IN
3	Headset +
4	Headset -
5	Headset -

a. BP-4000 Only – CH1 can be configured to either pin 2 or pin 3. To configure the channel, see “Channel Lock Menu (RTS Mode Only)” on page 25.

XLR (4-Pin)



4-Pin XLR	
Pin	Description
1	GND
2	Mic IN
3	Headset +
4	Headset -

Specifications

Power Requirements^a

Max. Operating Current (unbalanced)

45 mA

Max. Operating Current (balanced)

52 mA

Channel Supplied

18–33 VDC

Local Power

18–33 VDC

Environmental

Operating Temperature

32° F to 131° F (0° C to 55° C)

Operating Humidity

5% to 95%, non-condensing

Storage Temperature

-4° F to 158° F (-20° C to 70° C)

Storage Humidity

15% to 90%, non-condensing

Dimensions

3.75" W x 1.35" D [1.55" D w/beltclip] x
4.69" H [4.79" H w/top panel button]
95.2 mm W x 34.2 mm D [39.4 mm D w/
beltclip] x 119.2 mm H [121.6 mm H w/top
panel button]

Interface Requirements

Headset

50 to 200 Ω (dynamic)

1 k to 13 k Ω (electret)

Microphone Output Adjustable

max. 15dB (3dB per level)

Headphones

50 to 600 Ω

Balanced Intercom Channel

Output Level

0.0 dBu nominal

Frequency Response

200Hz – 8kHz

Noise Contribution

<-60 dBu

Total Harmonic Distortion

<1.0%

Terminating Impedance

Balanced

300 Ω

Bridging Impedance

>10 k Ω

Call Signaling

Send

20 kHz

Receive

20 kHz

Mic Off Frequency

Send

24 kHz

Receive

24 kHz

Unbalanced Intercom Channel

Output Level

0 dBu nominal

Frequency Response

200Hz – 8kHz

Terminating Impedance

200 Ω

Noise Contribution

<-60 dBu

Total Harmonic Distortion

<1.0%

Bridging Impedance

Unbalanced

>10 k Ω

Call Signaling

Send

20 kHz/DC

Receive

20 kHz/DC

Total Harmonic Distortion

<1.0%

Headphone Amplifier

Maximum Output

>140 mW into 150 Ω load

Frequency Response

200 -8 kHz \pm 3dB

Audible Alert

1 kHz

Total Harmonic Distortion

<1.0%

Sidetone

>13 dB dynamic adjustment range

Crosstalk

Applicable to the BP-5000 in RTS mode with 2 channels.

<-60dB

-
- a. Proper beltpack operation includes the use of a power supply which has been tested and listed at a recognized safety test laboratory. Safe operation requires that a power supply be selected which supports the maximum current required for the total number of beltpacks on the system.

System Configuration and Power

System Configuration

The BP-4000 and BP-5000 are capable of operating in three different modes:

RTS Mode – Unbalanced, shared power and audio

Audiocom Mode – Balanced, shared power and audio

Clear-Com Mode – Unbalanced, separate power and audio

Balanced and Unbalanced refer to the type of audio signal being used on the beltpack.

Unbalanced Audio – Uses ground reference signalling.

Balanced Audio – Uses differential mode signalling.

Power

The BP-4000 and BP-5000 use an external power supply unit, such as a PS-20, PS-31, PS-4001, etc to power the beltpacks. Power is passed through the beltpacks via the Intercom Channel Connector (See Figure 1 on page 8). Depending upon cable length, up to forty beltpacks can be daisy-chained together running off the same power supply.

Channel Power

The external power supply provides power to the beltpacks in the system via the channel connector on the power supply and the beltpack. Two power supplies can be used to run a large system or a system that has a long cable run between sets/banks of beltpacks. Using multiple power supplies can evenly distribute power throughout system. In a two power supply system, the local power setting on the beltpack is commonly used.

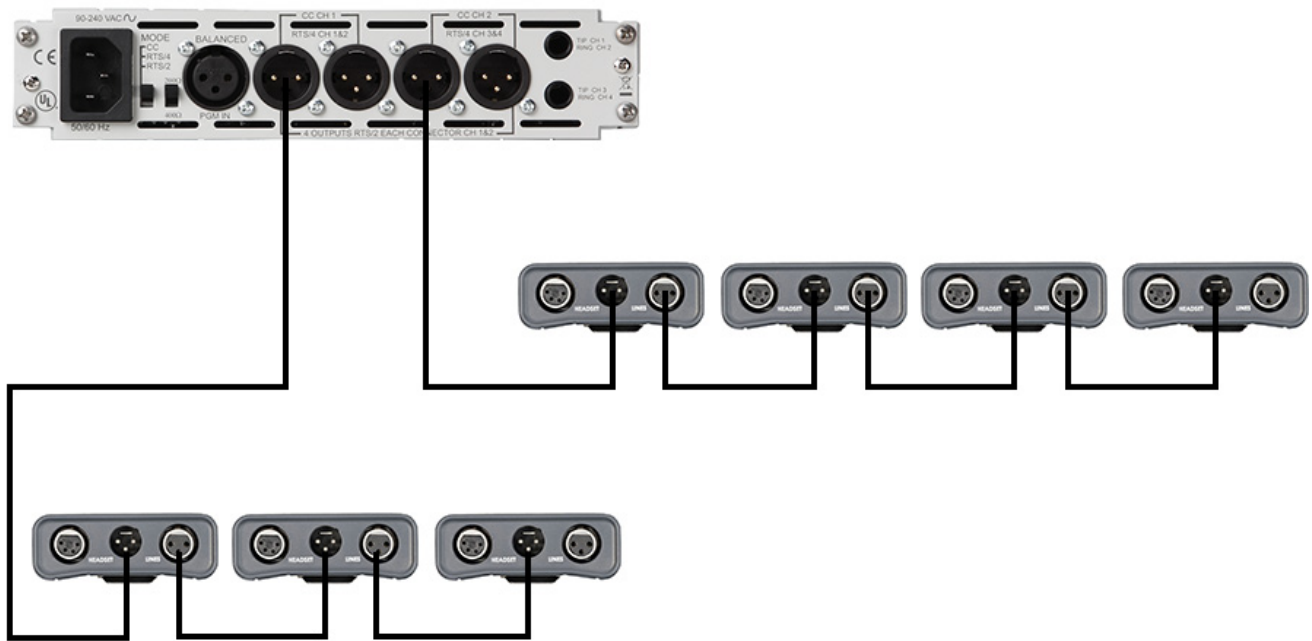


FIGURE 2. Single Power Supply System

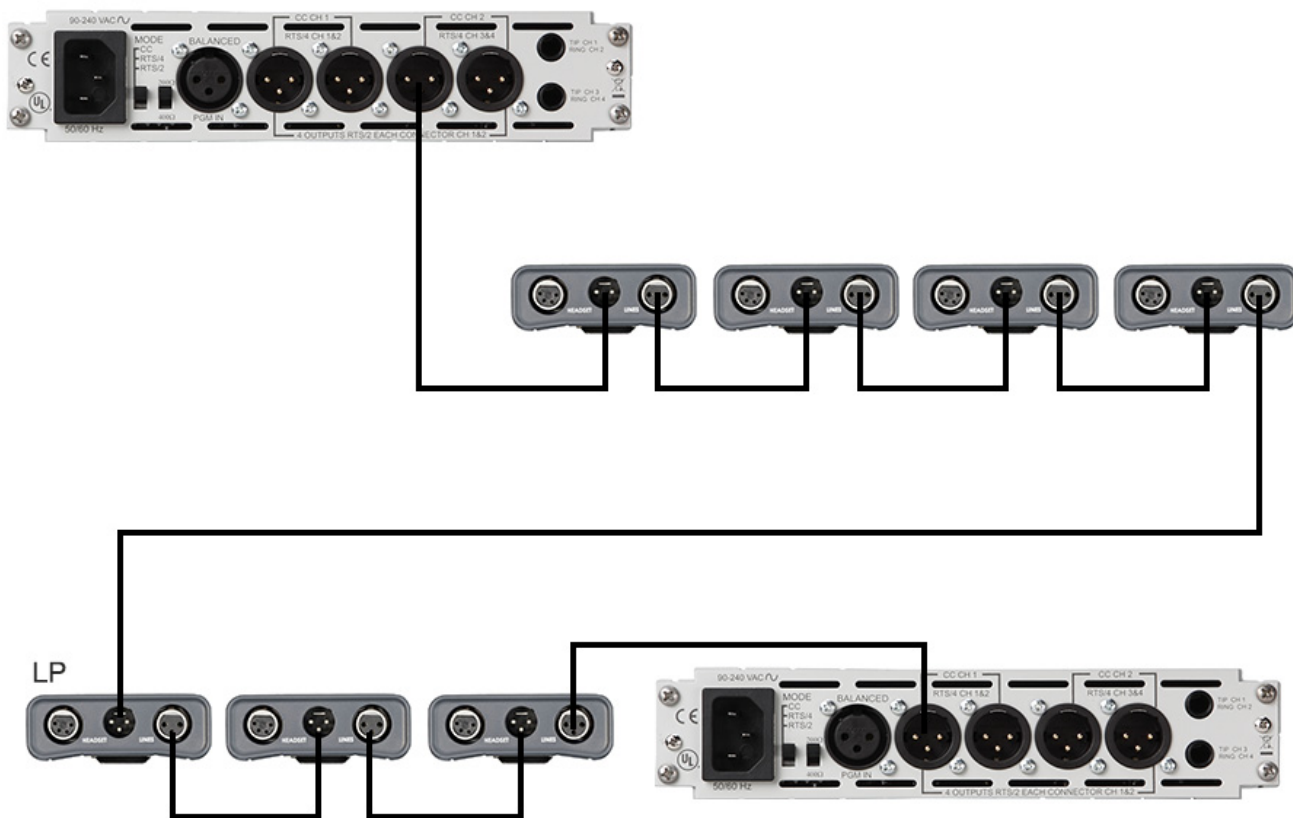


FIGURE 3. Two Power Supply System

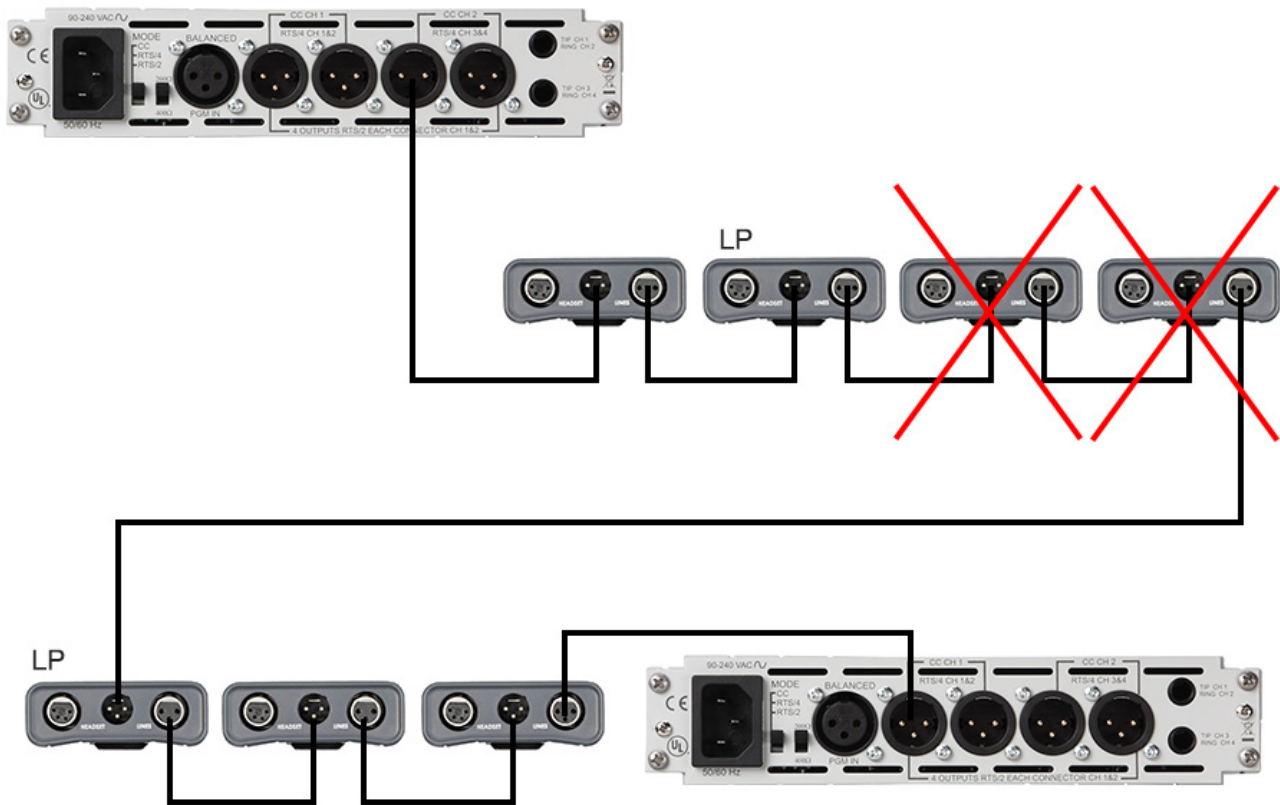


FIGURE 4. Two Local Power Settings in a System

Local Power

The **Local Power** setting is used to isolate the DC power (voltage) so line noise is reduced without losing signal voltage. Use the local power setting when you have two power supplies feeding a system of backpacks over a long distance (up to 1000 feet supported). For information on how to set local power, see “Set Local Power” on page 31.

IMPORTANT: When using the local power setting only one backpack in the line should be set to LP (Local Power). Commonly, the first backpack after a long cable run is set to LP, as shown in Figure 3. In a two power supply system, if two backpacks are set to local power, then any backpacks in between those two devices do not receive power (see Figure 4).

Initial Setup and Configuration

Initial BP-4000/5000 Setup

The BP-4000/5000 has a mode-sensing setup built into it. Mode-sensing detects the system configuration and then sets the backpack to run in this mode. Mode-sensing setup is activated by pressing a sequence of buttons on the backpack.

The mode of the BP-4000/5000 needs to be correctly reconfigured either through mode-sensing setup or the program menu. The mode can be verified by the sequence of flashing LEDs upon power up or through the program menu.

NOTE: Using the mode-sensing setup on pre-configured backpacks does not change any of the programmable settings.

The factory setting for the BP-4000/5000 is RTS mode. For more information on the different modes of operation, see “System Configuration” on page 13.

UBP (Universal Beltpack) Initialization Troubleshooting Table

Unpredictable beltpack and system operation can occur if the BP4000/5000 is configured to a mode that does not match the operational mode of the network power supply and/or the associated master station.

Behavior After Power-On	Issue	Resolution
<ul style="list-style-type: none"> TALK and CALL buttons do not work and associated LEDs do not light. Unit cannot access PROGRAM MENU. While connected to the network, the beltpack may produce repeating sets of audible clicks as initialization attempts are made. 	<p>UBP is configured to power-on to a specific channel and no power is present</p> <p>EXAMPLE:</p> <ul style="list-style-type: none"> RTS UBP is configured for power on CH 1 and is plugged into a network with power only on CH 2. Clear-Com UBP is plugged into an RTS network with power only on CH2. RTS UBP is configured for power on CH2 and then is plugged into a Clear-Com network or RTS network set for power on CH1. Audiocom UBP is plugged into a Clear-Com network or RTS network which has power on only one channel. 	<p>Perform mode-sensing set-up to restore unit to proper operation, see “Mode-Sensing Setup” on page 19.</p>
<p>All LEDs on UBP flash constant</p>	<p>UBP is designed to operate on networks with valid line voltages of 18Vdc–33Vdc. Unit is detecting voltages outside of the expected range.</p>	<ul style="list-style-type: none"> Validate network for proper operating line voltages. Perform mode-sensing set-up to restore unit to proper operation, see “Mode-Sensing Setup” on page 19.

IMPORTANT: Mode-sensing setup can only be done using a hot plug of the UBP into an already powered network. Mode sensing is not reliable when done in conjunction with enabling power to an entire network using a switched power supply or master station. The voltage ramping characteristics of a switched power supply during power up do not allow the UBP to reliably determine the mode of the network

IMPORTANT: In a Clear-Com system setup, the first beltpack **MUST** be manually configured to enable the mode-sensing setup feature for subsequent beltpacks.

Setup Mode Indication

When power is applied to beltpack, the LED lights blink to indicate the setup mode it is currently running.

RTS – LEDs blink three times in three seconds

Audiocom – LEDs blink six times in three seconds

Clear-Com – LEDs blink nine times in three seconds

Mode-Sensing Setup

To enter mode-sensing setup on the **BP-4000/5000 belt pack**, do the following:

1. Connect **one end of the XLR connector** to the power supply or the powered network.
2. Press the **CALL** and **TALK buttons simultaneously** and plug the **other end of the XLR connector** into the beltpack unit.
The beltpack detects the type of system to operate – RTS, Audiocom, or Clear Com.
3. Once the beltpack LED indicators start to blink, release the **CALL and TALK buttons**.

NOTE:

- If the beltpack is powered on without pressing the CALL and TALK buttons, it operates in the last known system configuration.
- By default, the beltpack is configured for RTS mode. The headset microphone is auto-sensing, which means it automatically determines if an Electret or Dynamic headset is attached to the unit.

Firmware Version

Knowing the version of firmware running on the beltpack can assist a service technician to better troubleshoot problems on the beltpack, if needed. When the beltpack has power applied to the unit while pressing the TALK button, a voice prompt is heard in the headset saying the firmware version currently installed.

To **check the firmware version of the beltpack**, do the following:

1. Verify the **beltpack does not have power connected**.
2. While pressing the TALK button, plug the **power cable** from the power supply or powered network to the Intercom Channel Connector located on the bottom plate of the beltpack (see Figure 1 on page 8).
[voice prompt] “X.X.X “(where X represents the firmware version).

Programming the Beltpack

Enter Program Menu

To enter the program menu, do the following:

1. Put the **headset on your head**.
2. Press and hold the **TALK and CALL buttons simultaneously** for three seconds.

IMPORTANT: The beltpack must detect both buttons pressed together within 1/2 of a second. If the TALK and CALL buttons are pressed more than 1/2 second apart, the PROGRAM MENU is not entered.

3. Release **both buttons**.
The CALL and TALK LED indicators blink once and then stay lit.
[voice prompt] "Program Menu, Mode".
4. Press the **CALL button** to navigate through the voice prompt menu.
Voice prompts are heard at every press of the button listing the available menu options.
5. Press the **TALK button** to select the desired menu.
6. Exit the **Program Menu**.

NOTE: After 15 seconds of inactivity, the beltpack automatically exits programming mode and no changes are saved. Each time the intercom system power is turned on, the beltpack resets to the previous program settings.

Exit Program Menu

NOTE: You must exit the program menu for any of the configuration modifications to take effect.

- If the Program Menu times out and closes, any modifications made are not implemented.
- If an incoming call is received while in the Program Menu, the beltpack automatically exits the Program Menu without saving any modifications.

To **exit the Program Menu**, do the following:

- > While in the Program Menu, press and hold the **TALK and CALL buttons simultaneously** for three seconds.

The CALL and Talk indicators blink once and then turn off.

[voice prompt] "Exit"

IMPORTANT: The beltpack must detect both buttons pressed together within 1/2 of a second. If the TALK and CALL buttons are pressed more than 1/2 second apart, the PROGRAM MENU is not exited.

Menu System



Mode Menu

The **Mode** menu is used to select the configuration of the beltpack.

IMPORTANT: The first time the TALK button is pressed for a specific menu function, the UBP voice prompt repeats the current setting of the unit. This allows the user to hear the current setting of the menu option without changing the setting.

Available menu options are:

RTS (d)

Audiocom

Clear-Com

To **select the Mode**, do the following:

1. While in the program menu, navigate to **Mode**.
[voice prompt] "Mode".
2. Press the **TALK button**.
[voice prompt] "RTS".
OR
Press the **TALK button again**.
[voice prompt] "Audiocom".
OR
Press the **TALK button again**.
[voice prompt] "Clear-Com".
3. Exit the **Program Menu** (see "Exit Program Menu" on page 20).
The LEDs flash to indicate the mode the beltpack is programmed. See "Setup Mode Indication" on page 19.

Talk Mode Menu

The **Talk Mode** menu is used to program how the TALK button operates.

Available menu options are:

- Switched (d)* – The TALK button toggles on and off as long as the button press is less than 400msec. If the TALK button is held longer, the button does not latch on.
Press the TALK button to turn on. Press the TALK button again to turn off.
- On* – The TALK button is always on. Talk cannot be turned off even when a mic kill signal is sent.
- Off* – The TALK button is always off.
- Momentary* – If the TALK button is held for longer than 400msec, the beltpack enters momentary mode. TALK is only active as long as the button is held.

To **program TALK mode**, do the following:

1. While in the program menu, navigate to **Talk Mode**.
[voice prompt] “Talk Mode”.
2. Press the **TALK button**.
[voice prompt] “Switched”.
OR
Press the **TALK button again**.
[voice prompt] “Off”.
OR
Press the **TALK button again**.
[voice prompt] “On”.
OR
Press the **TALK button again**.
[voice prompt] “Momentary”.
3. Exit the **Program Menu** (see “Exit Program Menu” on page 20).

Mic Gain Menu

The **Mic Gain** menu is used to set the mic gain for the beltpack. Mic gain adjusts the audio level being sent out on the line.

Available options for this menu are *1, 2, 3, 4, and 5*.

1 represents the lowest gain setting, while 5 represents the highest gain setting.

The default for this menu is *4*.

A mic gain setting of 4 sets the output to 0dBu, given a -45dBu nominal input on a dynamic microphone.

To **configure the mic gain**, do the following:

1. While in the program menu, navigate to **Mic Gain**.
[voice prompt] "Mic Gain".
2. Press the **TALK button** to navigate to the desired gain level.
[voice prompt] "<gain level X>".
3. Exit the **Program Menu** (see "Exit Program Menu" on page 20).

Sidetone Adjust Menu

The **Sidetone Adjust** menu is used to set the amount of sidetone heard through the headphones. Sidetone is the effect of sound picked up by the microphone and then sent to the same headset.

Available options for this menu are *1, 2, 3, 4, and 5*.

1 represents the lowest sidetone level, while 5 represents the loudest sidetone level.

The default for this menu is *1*.

To **configure the sidetone adjust**, do the following:

1. While in the program menu, navigate to **Sidetone Adjust**.
[voice prompt] "Sidetone Adjust".
2. Press the **TALK button** to navigate to the desired sidetone level.
[voice prompt] "<sidetone level X>".
3. Exit the **Program Menu** (see "Exit Program Menu" on page 20).

Incoming Call Beep Menu

The **Incoming Call Beep** menu is used to enable and disable whether a beep is heard in the headset when a call comes into the beltpack.

Available options are *On* or *Off*.

The default for this menu is *Off*.

To **configure incoming call beep**, do the following:

1. While in the program menu, navigate to **Incoming Call Beep**.
[voice prompt] “*Incoming Call Beep*”.
2. Press the **TALK button** to enable Incoming Call Beep.
[voice prompt] “*On*”.
OR
Press the **TALK button** to disable Incoming Call Beep.
[voice prompt] “*Off*”.
3. Exit the **Program Menu** (see “Exit Program Menu” on page 20).

Channel Lock Menu (RTS Mode Only)

The **Channel Lock** menu is used to program whether the BP-5000 has access to one or two channels. It is also used as a method to switch channels on BP-4000

Available options are *Channel 1*, *Channel 2* or *Off*.

The default for the BP-5000 is *Off*.

The default for the BP-4000 is *Channel 1*.

To **configure channel lock**, do the following:

1. While in the program menu, navigate to **Channel Lock**.
[voice prompt] “*Channel Lock*”.
2. Press the **TALK button** to select Channel 1.
[voice prompt] “*Channel 1*”.
OR
Press the **TALK button twice** to select Channel 2.
[voice prompt] “*Channel 2*”.
OR
Press the **TALK button three times** to select Reset.
[voice prompt] “*Off*”.
3. Exit the **Program Menu** (see “Exit Program Menu” on page 20).

Power Source Menu (RTS Mode Only)

The **Power Source** menu is used to select which channel the beltpack draws power. By distributing the power draw, more beltpacks can be used on the same party-line.

Available options are *Channel 1* or *Channel 2*.

The default for this menu is *Channel 1*.

To **configure the power source**, do the following:

1. While in the program menu, navigate to **Power**.
[voice prompt] “Power”.
2. Press the **TALK button** to select Channel 1.
[voice prompt] “Channel 1”.
OR
Press the **TALK button twice** to select Channel 2.
[voice prompt] “Channel 2”.
3. Exit the **Program Menu** (see “Exit Program Menu” on page 20).

Mic Kill Menu (RTS and Audiocom Mode Only)

The **Mic Kill** menu is used to enable or disable the ability to ignore a Send Mic Kill signal sent to turn off the mic on the beltpack.

Available options are *On* or *Off*.

The default for this menu is *On*.

To **configure mic kill**, do the following:

1. While in the program menu, navigate to **Mic Kill**.
[voice prompt] “Mic Kill”.
2. Press the **TALK button**.
[voice prompt] “On”.
OR
Press the **TALK button** again.
[voice prompt] “Off”.
3. Exit the **Program Menu** (see “Exit Program Menu” on page 20).

Send Mic Kill Menu (RTS and Audiocom Mode Only)

The **Send Mic Kill** menu is used to send a mic kill signal to shut off a microphone on a beltpack , user station, or master station that has been inadvertently left on. A 24 kHz signal is sent to the party-line where the beltpack with the microphone left on, signalling it to shut off.

Available options are *Yes* or *No*.

IMPORTANT: The Send Mic Kill is not sent until the beltpack has exited the program menu.

The program menu must be exited before the mic kill signal will be sent.

To **send a mic kill**, do the following:

1. While in the program menu, navigate to **Send Mic Kill**.
[voice prompt] "Send Mic Kill".
2. Press the **TALK button**.
[voice prompt] "No".
OR
Press the **TALK button** again.
[voice prompt] "Yes".
3. Exit the **Program Menu** (see "Exit Program Menu" on page 20).

LEDs Menu

The **LEDs menu** is used to set the LEDs to normal intensity or dimmed on a beltpack.

Available options are *On* or *DIM*.

The default for this menu is *On*.

To **configure LEDs**, do the following:

1. While in the program menu, navigate to **LEDs**.
[voice prompt] "LEDs".
2. Press the **TALK button**.
[voice prompt] "On".
OR
Press the **TALK button** again.
[voice prompt] "DIM".
3. Exit the **Program Menu**.

Factory Reset

The **Factory Reset** menu is used to reset the beltpack to its original, factory settings.

Available options are *Yes* or *No*.

The default for this menu is *Off*.

To **perform a factory reset on the beltpack**, do the following:

1. While in the program menu, navigate to **Factory Reset**.
[voice prompt] "Factory Reset".
2. Press the **TALK button**.
[voice prompt] "No".
OR
Press the **TALK button** again.
[voice prompt] "Yes".
3. Press the **CALL and TALK buttons simultaneously**.
The CALL and TALK indicators blink once and then turn off.
[voice prompt] "Exit"
The LED indicators blinks the number of times associated with the mode it is in (see "Setup Mode Indication" on page 19). The beltpack is reset to factory defaults.

Operation and Maintenance

Operation

Adjust the Volume

To **adjust the volume on the beltpack**, do the following:

- > On the top panel of the beltpack, turn the **volume knob clockwise** to increase the volume.
OR
Turn the **volume knob counterclockwise** to decrease the volume.

Decrease Volume



Increase Volume

Change the Channel (BP-5000)

To **change the channel on the beltpack**, do the following:

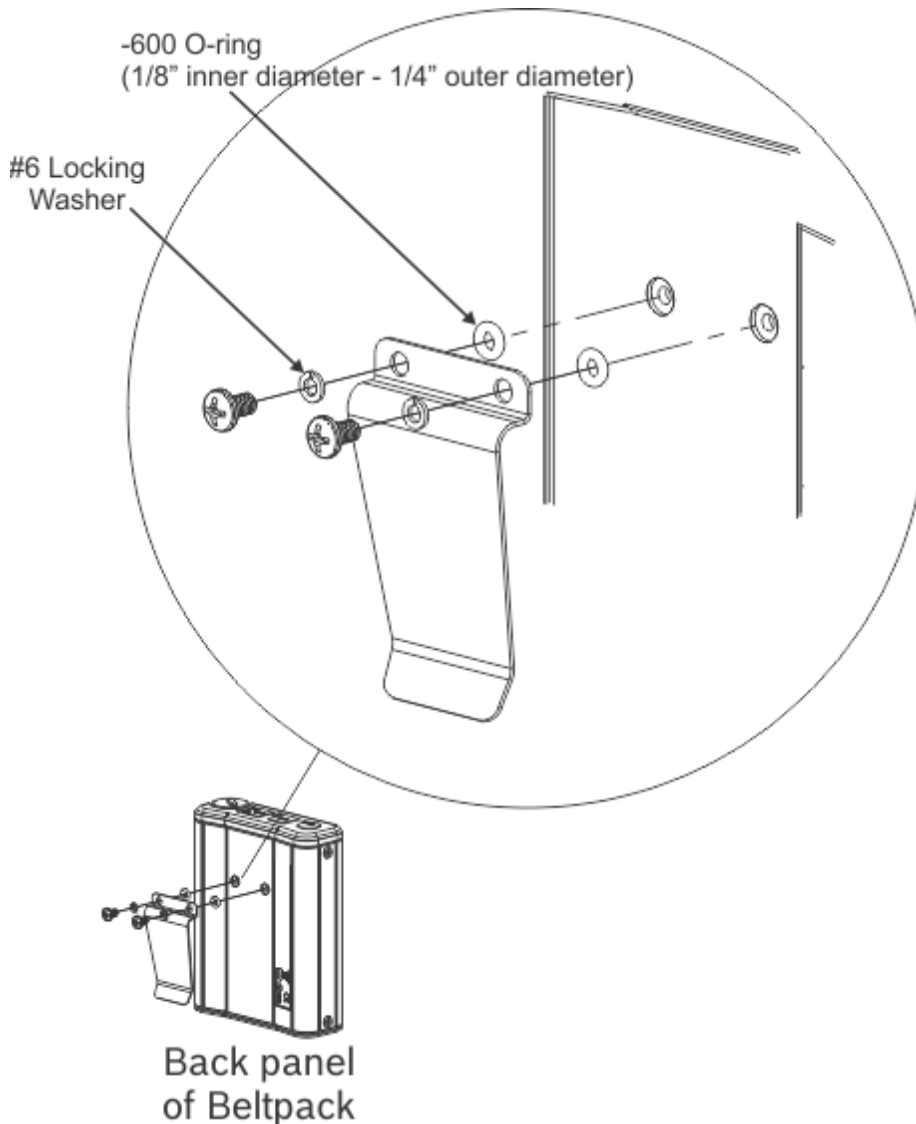
- > On the top panel of the beltpack, press the **CH 1/2 button once**.
The active channel is toggled between CH1 and CH2. The blue LED indicates the active channel.

Maintenance

Replace the Beltclip

To **replace the beltclip on the beltpack**, do the following:

1. Using a screwdriver, remove the **two locking washers and screws** holding the beltclip in place. *Set the washers and screws aside for later use.*



2. Remove the **beltclip from the unit.**

NOTE: Take care to keep the O-rings for later use.

3. Using the existing washer, screws and O-rings, reattach the **new beltclip to the beltpack.**

Set Local Power

Local Power is set by shorting pins on the J4 jumper located on the PCBA board. The board must be removed from the beltpack housing to make this adjustment. For more information on Local power, see “” on page 15.

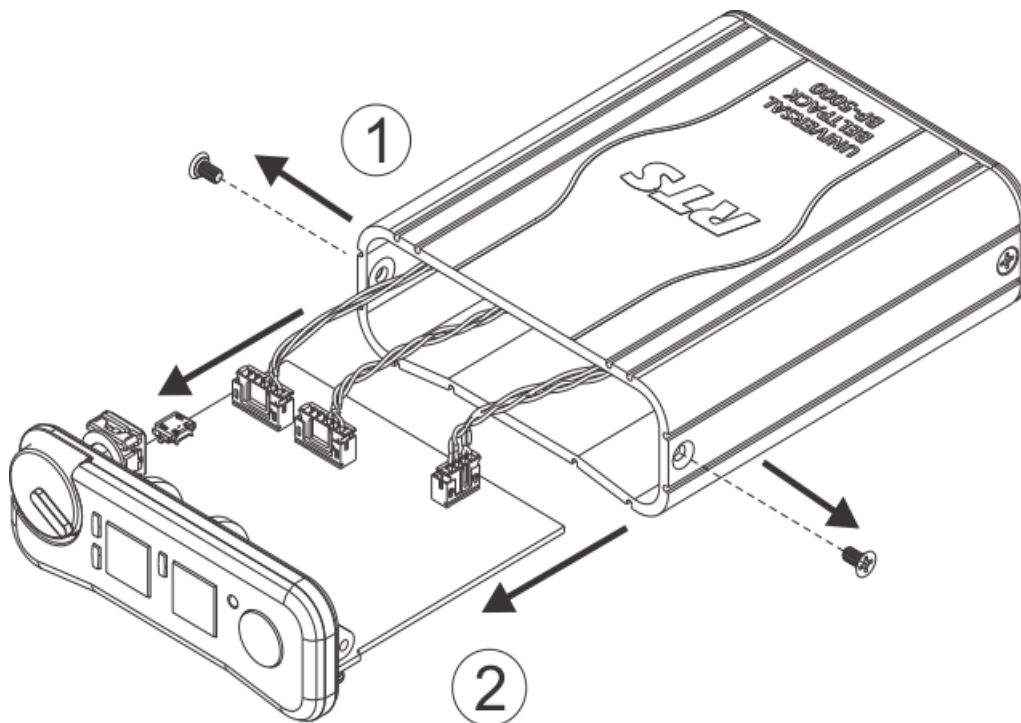
To **set local power**, do the following:

1. Remove the **two side screws** from the beltpack unit.

IMPORTANT: There are two red o-rings to strengthen the seal and keep moisture out of the beltpack. Keep these o-rings with the screw. They can sometimes become lodged in one of the screw holes.



2. Carefully slide the **top plate assembly from the beltpack enclosure** just far enough to expose the entire PCBA board. Take care not to disconnect the connectors from the headers.



- Being careful not to pull the connectors from the headers, attach **jumper to J4 on the board**, as described in Table 1.

IMPORTANT: If you need to move the connector wires to access the J4 jumper, gently push them to either side.

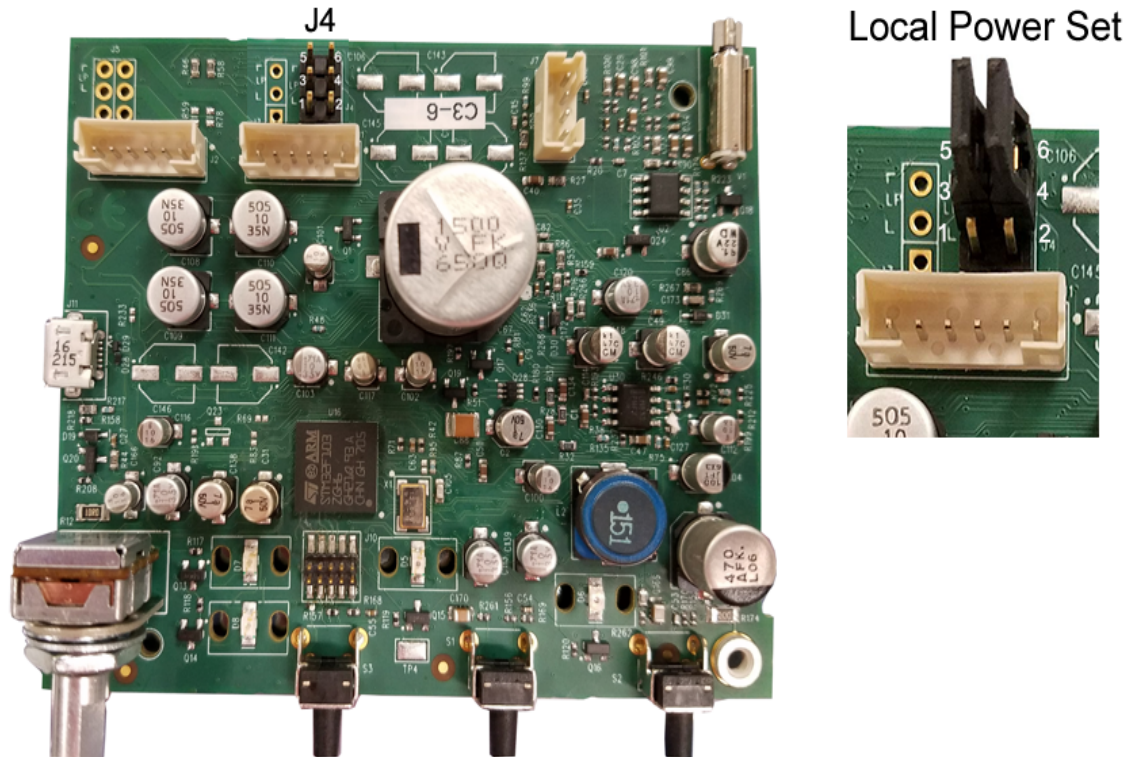


TABLE 1. J4 Jumpers

Normal	Local Power
Pins 1&3 and Pins 2&4 shorted	Pins 3&5 and Pins 4&6 shorted

- Carefully slide the **top plate assembly** into the backpack enclosure.
- Using the provided screws and O-rings, replace the **side screws**.

IMPORTANT: To ensure the backpack is properly grounded when reassembling, fully tighten the screws on one side of the unit, and then fully tighten the screws on the other side of the unit.

Notes

Notes

Notes

Bosch Security Systems, Inc.

12000 Portland Avenue South
Burnsville, MN 55337 U.S.A.
www.boschcommunications.com