

SMPTE ST 2110

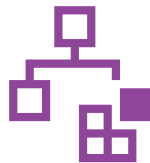
Our implementation of the SMPTE ST 2110 suite of standards helps professionals communicate clearly with ease and efficiency, and offers some key advantages over the competition:

CHANNEL-BY-CHANNEL SELECTABILITY



Users can choose if a channel speaks 2110, OMNEO, Dante, etc. Other providers require all channels in a device to use the same protocol.

BACKWARDS COMPATIBILITY



Users can add 2110 capability with a simple upgrade to existing equipment.

SIMPLIFIED NATIVE IMPLEMENTATION



Dante Domain Manager is now optional but not required. Some limitations apply. Contact RTS for more information.

The SMPTE ST 2110 suite of standards provides broadcasters and other industries a more efficient and managed way to transport video, audio and related media networking technologies across an IP network infrastructure. A key benefit of ST 2110 is the transmission of the essence flows – which are discrete-but-related streams of audio, video and other pieces of information – as needed. This design philosophy provides much greater levels of flexibility, while also reducing complexity and additional processing stages in a network facility. For example, a device that only needs to receive or process a stream of audio can freely do so without the need to separate the audio from other data.

ST 2110 also provides benefits to the user, such as multicasting of streams and the ability to navigate packets across IP networks, allowing much greater

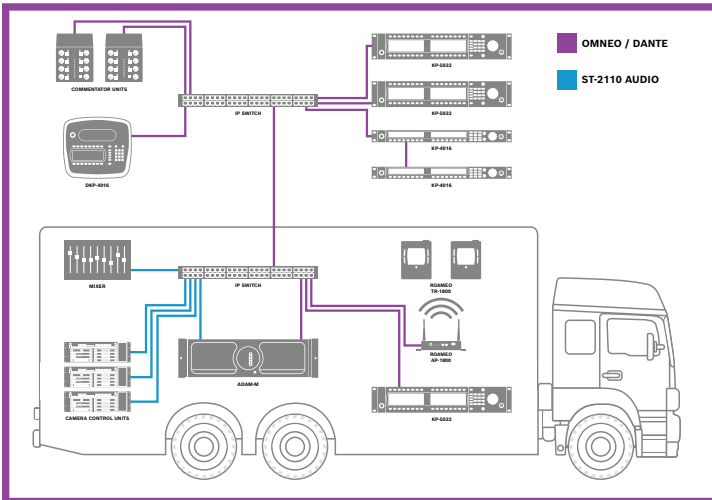
sophistication and flexibility for moving content around a facility. For example, a user can route an audio stream directly from a mixing console to the AUX input of a keypad without having to go through the intercom, saving ports in the intercom.

The technology known as OMNEO, developed by Bosch, is a core element in providing RTS intercom users with the most flexible IP solution available today. OMNEO media networking architecture has full support for ST 2110 and AES67, as well as the broadly available Dante™ from Audinate. A simple check box in the software allows users to switch between each technology as needed, without hardware changes or reloading new software to devices. This easy-to-use approach provides users with the interoperability to interface with other devices throughout their network.

SMPTE ST 2110 USE-CASE EXAMPLES

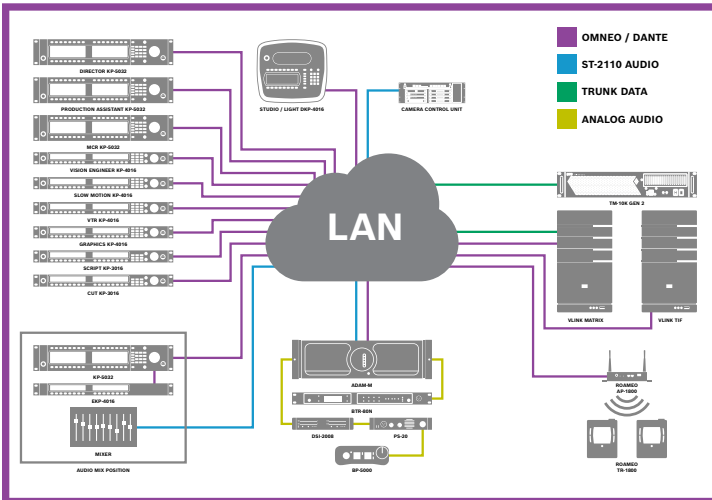
Our implementation of the SMPTE ST 2110 suite of standards helps professionals communicate and share content between different kinds of devices more easily and efficiently than ever before.

In all three of these examples, the utility value and ROI of a mixing console is increased by adding it to the IP-based production comms workflow. In the small broadcast facility and OB truck examples, the simple integration of camera control units also allows video signal management to be brought into the workflow.



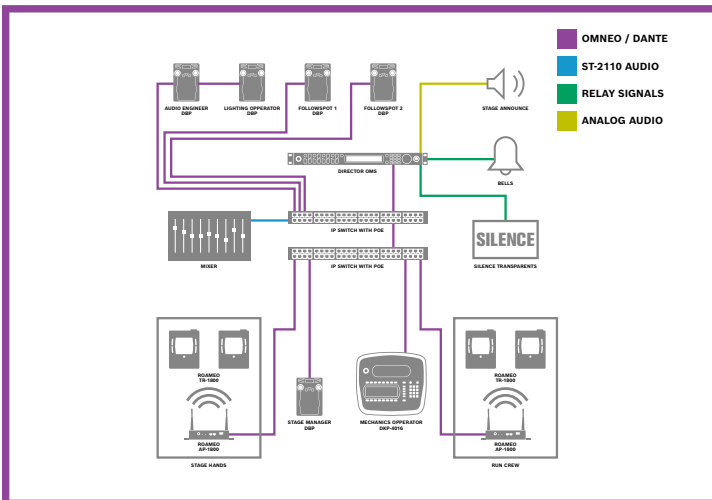
OB TRUCK

In this example, a mixing console is added to the IP-based production comms workflow, adding to its utility value and ROI, while the simple integration of multiple camera control units allows video signal management to be brought into the same workflow.



SMALL BROADCAST STUDIO

In this example, a mixing console is added to the IP-based production comms workflow, adding to its utility value and ROI, while the simple integration of a camera control unit allows video signal management to be brought into the same workflow.



THEATER/PERFORMING ARTS CENTER

In this example, the utility value and ROI of an existing mixing console is increased by adding it to the production comms workflow.