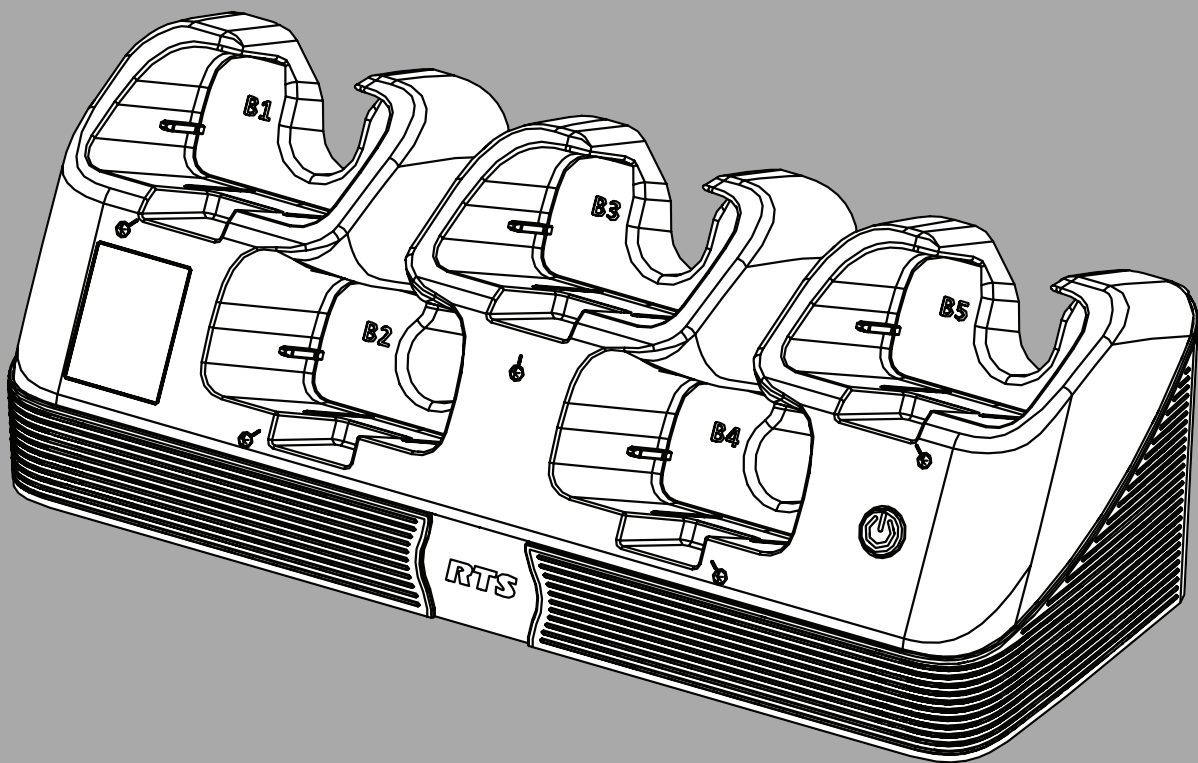


CB-1000

CB-1000 Charging Bay



en

Mounting guide

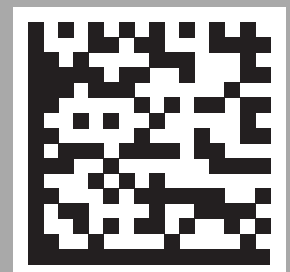


Table of contents

1	Important Information	4
1.1	Copyright and Disclaimer	4
1.2	Notices	4
1.3	FCC Information	5
2	Introduction	7
3	Installation	8
3.1	Vertical wall mount	8
3.2	Horizontal wall mount	10
3.3	Wall mount with the gypsum wall bracket	12
3.4	Rack drawer, sliding rack tray, or tabletop mount	15
4	Insert and remove batteries	18
4.1	Indicators and behaviors	19
5	Technical data	21

1 Important Information

1.1 Copyright and Disclaimer



All rights reserved. The product information and design disclosed herein were originated by and are the property of Bosch Security Systems, LLC. Bosch reserves all patent, proprietary design, manufacturing, reproduction, use and sales rights thereto, and to any article disclosed therein, except to the extent rights are expressly granted to others.

No part of this document may be reproduced or transmitted in any form by any means, electronic, mechanical, photocopying, recording, or otherwise, without the prior written permission of the publisher. For information on getting permission for reprints and excerpts, contact Bosch Security Systems, LLC.

All other trademarks are property of their respective owners.

The content and illustrations are subject to change without prior notice.

1.2 Notices

	<div style="background-color: black; color: white; padding: 2px; text-align: center;">CAUTION</div> <div style="border: 1px solid black; padding: 2px; text-align: center;">RISK OF ELECTRIC SHOCK DO NOT OPEN</div>	
The lightning flash and arrowhead within the triangle is a warning sign alerting you of dangerous voltage inside the product.	Caution: To reduce the risk of electric shock, do not remove the cover. No user-serviceable parts inside. Refer servicing to qualified service personnel.	The exclamation point within the triangle is a warning sign alerting you of important instructions accompanying the product.
See marking on bottom/back of product.		



Warning!

Apparatus shall not be exposed to dripping or splashing and no objects filled with liquids, such as vases, shall be placed on the apparatus.



Warning!

The main power plug must remain readily operable.



Caution!

To reduce the risk of electric shock, grounding of the center pin of this plug must be maintained.



Warning!

To reduce the risk of fire or electric shock, do not expose this apparatus to rain or moisture.



Warning!

To prevent injury, this apparatus must be securely attached to the floor/wall/rack in accordance with the installation instructions.

~	This product is AC only.
---	--------------------------

	CE Compliant and UKCA Certified
---	---------------------------------



Warning!

This is a CLASS A product. In a domestic environment, this product may cause radio interference, in which case the user may be required to take adequate measures.

1.3

FCC Information


These devices are accepted under United States Federal Communications Commission Part 15. This device complies with Part 15 of the FCC. Operation is subject to the following two conditions:

- This device may not cause interference
- This device must accept any interference, including interference that may cause undesired operation of the device



Notice!

Changes or modifications made by the user could void the user's authority to operate the equipment.

	<p>Business Equipment for commercial or professional use</p> <p>This equipment has been tested and found to comply with the limits for a Class A device, pursuant to Part 15 Subpart B of the FCC, Canadian ICES-003 and CE requirements. These limits are designed to provide reasonable protection against harmful interference when the equipment is operated in a commercial environment. This equipment generates, uses, and can radiate radio frequency and energy. If not installed and used in accordance with the instruction manual, this may cause harmful interference to radio communications. Operation of this equipment in residential areas is likely to cause harmful interference, in which case the user will be required to correct the interference at their own expense. Intentional or unintentional changes or modifications not expressly approved by the party responsible for compliance shall not be made. Any</p>
---	--

such changes or modifications may void the user's authority to operate the equipment. If necessary, the user should consult the dealer or an experienced radio/television technician for corrective action.

2 Introduction

This guide helps you quickly set up your CB-1000 5-bay backpack charging bay. Follow the steps below to unpack, mount, connect, and power on the unit. You will ensure safe operation and optimal charging performance by completing each step in order.

The charging bay includes four versatile mounting options to suit different installation environments:

- Vertical wall mount
- Horizontal wall mount
- Rack drawer, sliding rack tray, or tabletop mount
- Wall mount with the gypsum wall bracket

In addition to installation, this guide shows you how to:

- Insert and remove battery packs safely and correctly
- Charge backpack batteries using the charging bay
- Monitor charging status indicators

3 Installation

The CB-1000 offers four versatile mounting options to suit a variety of installation needs:

- Vertical wall mount
- Horizontal wall mount
- Rack drawer, sliding rack tray, or tabletop mount
- Wall mount with the gypsum wall mount bracket



Notice!

We recommend that this device not be mounted in a high traffic area where it could be accidentally dismantled. Always observe local codes and requirements.

Before mounting the unit:

- The screw spacing is not consistent with standard residential stud spacing. You may need to use appropriate wall anchors if mounting the CB-1000 on a gypsum wall or use the gypsum wall mount bracket (CB-1000-GWB).



Caution!

Proper wall mounting

To reduce the risk of injury to yourself or damage to the device:

- Follow all instructions provided.
- Ensure the wall structure/materials will support the weight of the device.
- Use the recommended hardware for your device based on the wall structure/materials.
- Additional reinforcement may be required depending on the wall structure/materials the device will be installed and local codes and standards.

3.1 Vertical wall mount

Mounting the CB-1000 in the vertical position enables users to keep their headset plugged into the backpack throughout the charging cycle, eliminating the need to disconnect cables and ensuring the system remains ready for immediate use.

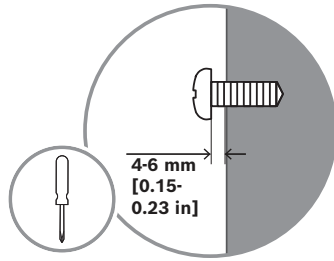


Notice!

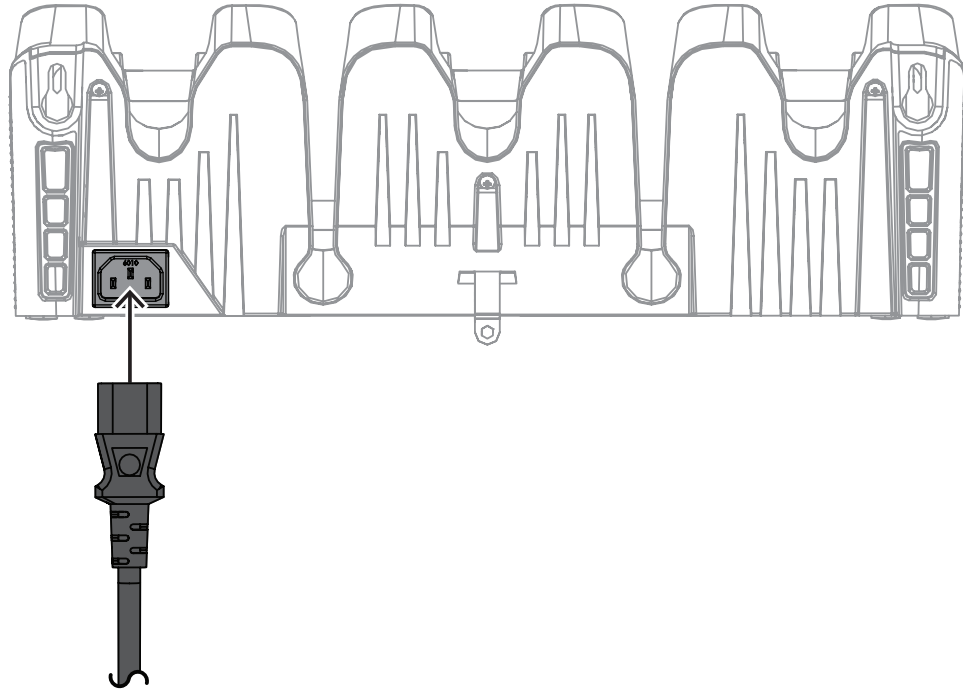
You must use the included locking plate. The locking plate insures that the charger does not accidentally get unhooked from the wall mounting screws

Before mounting the unit:

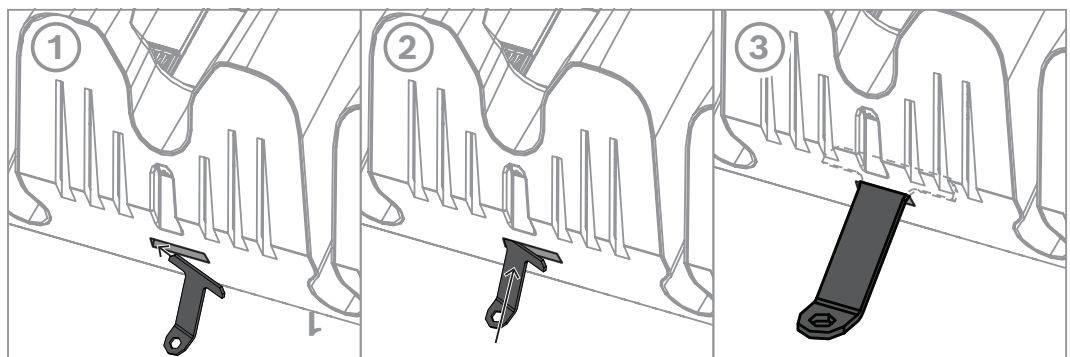
- It may be necessary to predrill the holes or use screw anchors, depending on the type of mounting surface.
 - You may need to use different screws due to a different mounting surfaces, be sure to adhere to the following guidelines:
 - Screw diameter: M5 or #10
 - Screw head diameter: no less than 8.5 mm (0.35 in) and no more than 10mm (0.4 in) across
 - Screw head height: no more than 3.5 mm (0.14 in) tall
1. Using the wall mount template and a pencil, mark the three screw hole locations on the wall where you want to mount the CB-1000.
 2. Use a screwdriver to drive the screws into the two upper corner predefined holes, ensuring the screwhead protrudes from the wall as shown.



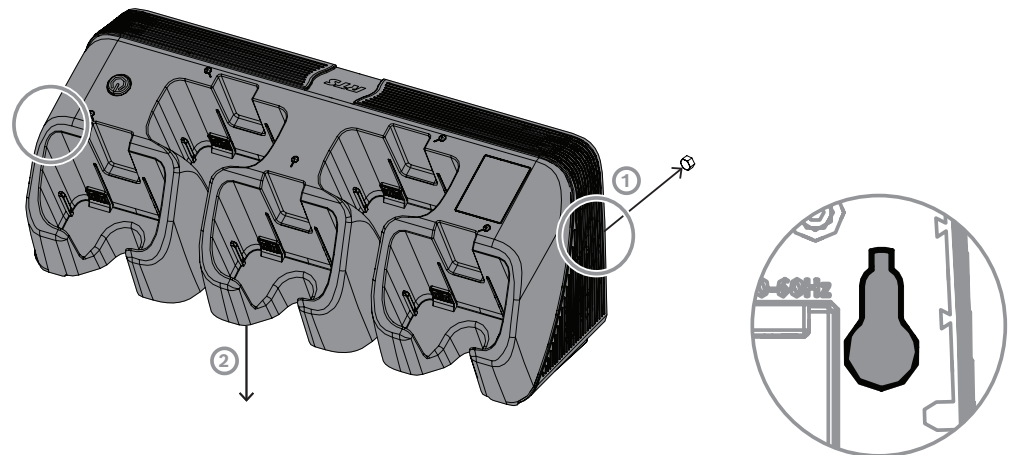
3. Attach the power cord to the unit.



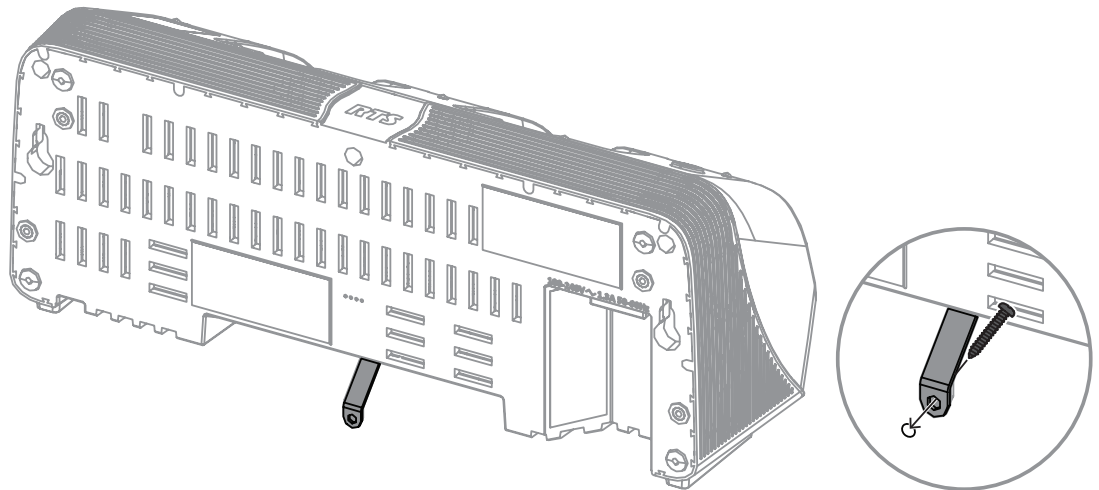
4. Attach the locking plate to the back of the unit.
 - The bracket must be parallel with the rear vertical plane to go in the hole.
 - You must center the locking plate before you are able to tilt the brace against the wall.



5. Align the back of the unit over the screws, allowing the screw heads to slide into the largest part of the keyhole opening.



6. Using suitable force, slide the unit so the screw heads move to the smallest part of the keyhole opening.
7. Using a screwdriver, attach the locking plate to the wall.



3.2 Horizontal wall mount

When you mount the CB-1000 horizontally on the wall, you must disconnect all attached headsets before installation. The horizontal wall mounting system blocks headset cord access.



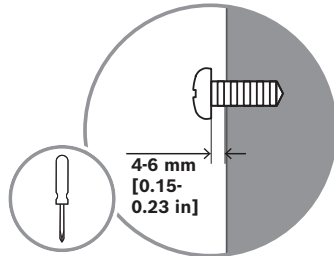
Notice!

You must use the included locking plate. The locking plate insures that the charger does not accidentally get unhooked from the wall mounting screws

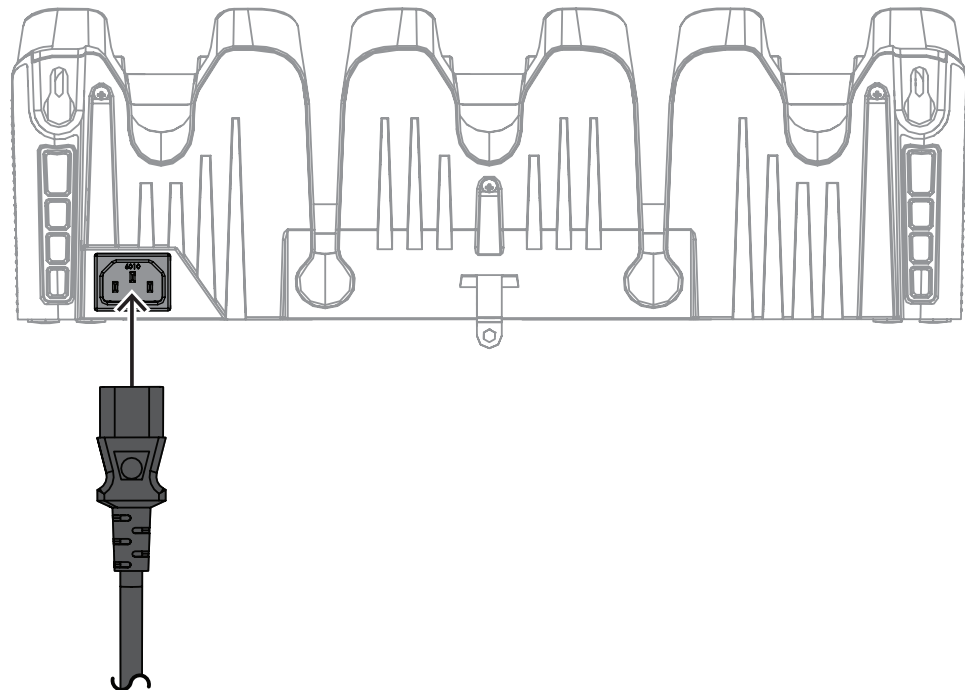
Before mounting the unit:

- It may be necessary to predrill the holes or use screw anchors, depending on the type of mounting surface.
- You may need to use different screws due to a different mounting surfaces, be sure to adhere to the following guidelines:
 - Screw diameter: M5 or #10
 - Screw head diameter: no less than 8.5 mm (0.35 in) and no more than 10mm (0.4 in) across
 - Screw head height: no more than 3.5 mm (0.14 in) tall

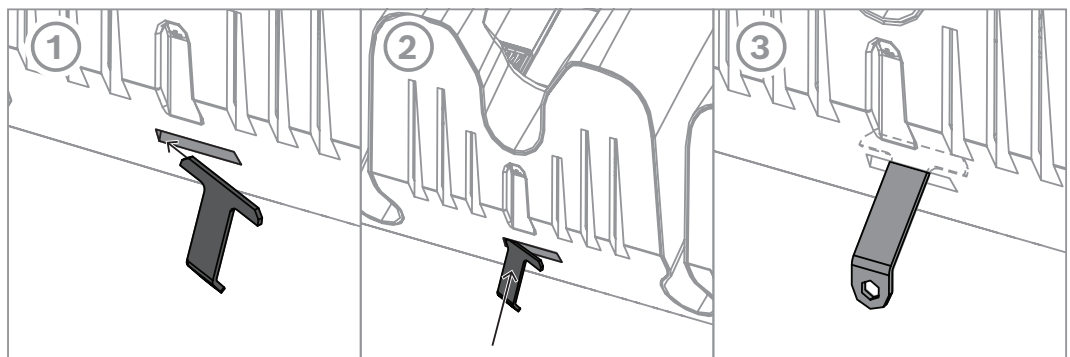
1. Using the wall mount template and a pencil, mark the three screw hole locations on the wall where you want to mount the CB-1000.
2. Use a screwdriver to drive the screws into the two upper corner predefined holes, ensuring the screwhead protrudes from the wall as shown.



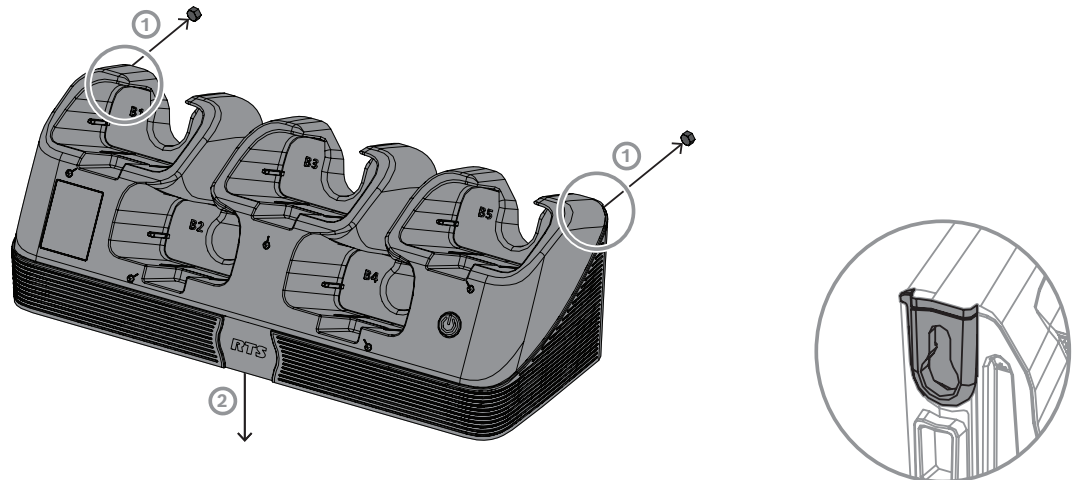
3. Attach the power cord to the unit.



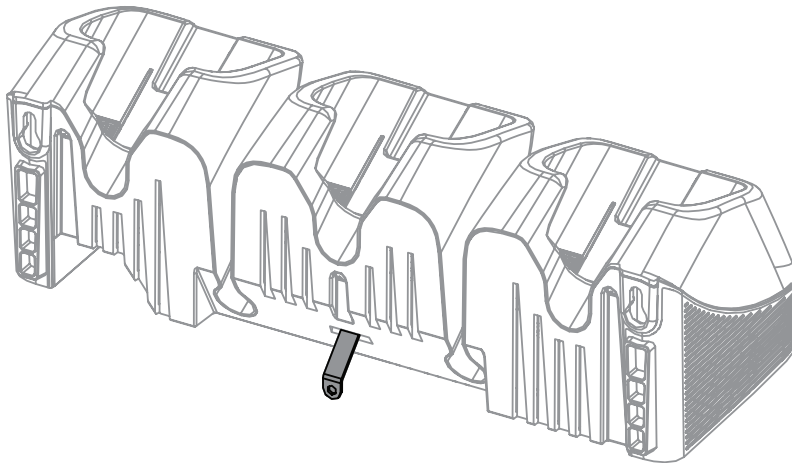
4. Attach the locking plate to the back of the unit.
 - The bracket must be parallel with the rear vertical plane to go in the hole.
 - You must center the locking plate before you are able to tilt the brace against the wall.



5. Align the back of the unit over the screws, allowing the screw heads to slide into the largest part of the keyhole opening.



6. Using suitable force, slide the unit so the screw heads move to the smallest part of the keyhole opening.
7. Using a screwdriver, attach the locking plate to the wall.



3.3

Wall mount with the gypsum wall bracket

Because the CB-1000 spans a width that does not match standard 16-inch stud spacing, you may use the gypsum wall mount bracket to achieve a solid installation. The bracket bridges the gap between available studs, creating multiple secure attachment points that distribute the device's weight evenly across the wall structure.

Before mounting the unit:

- It may be necessary to predrill the holes or use screw anchors, depending on the type of mounting surface.
- You may need to use different screws due to a different mounting surfaces, be sure to adhere to the following guidelines:
 - Screw diameter: M6 or ¼-in

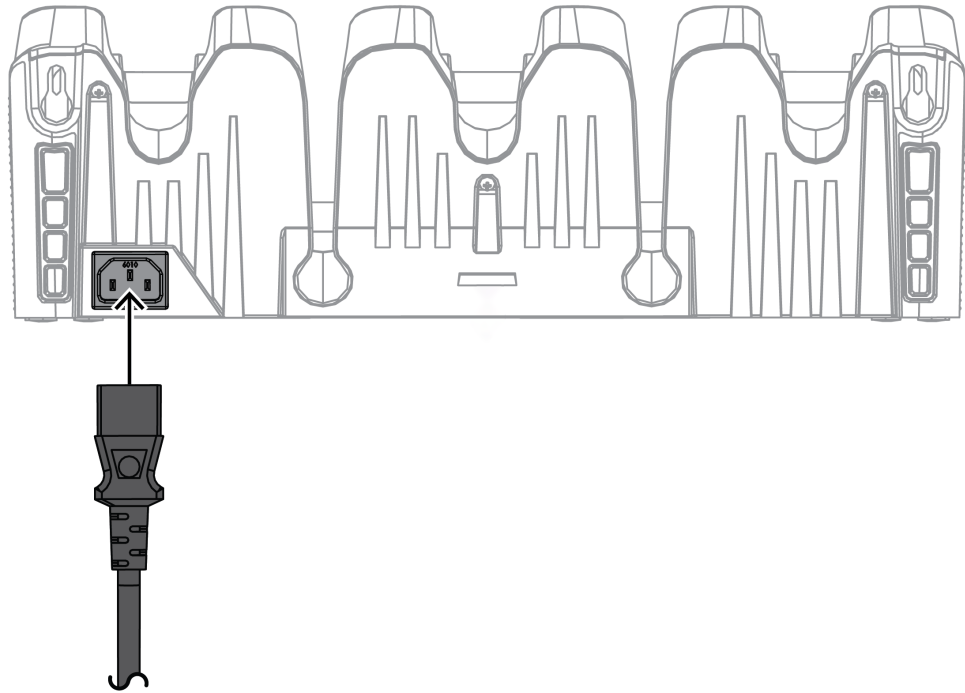
Mount the CB-1000 with the gypsum wall bracket



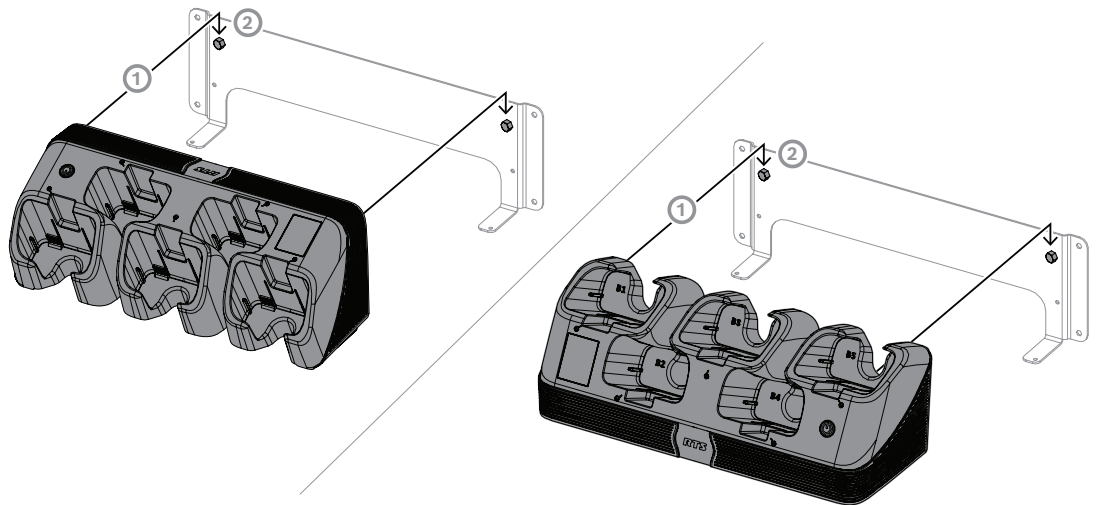
Notice!

You can mount the CB-1000 to the gypsum wall bracket either horizontally or vertically, as shown.

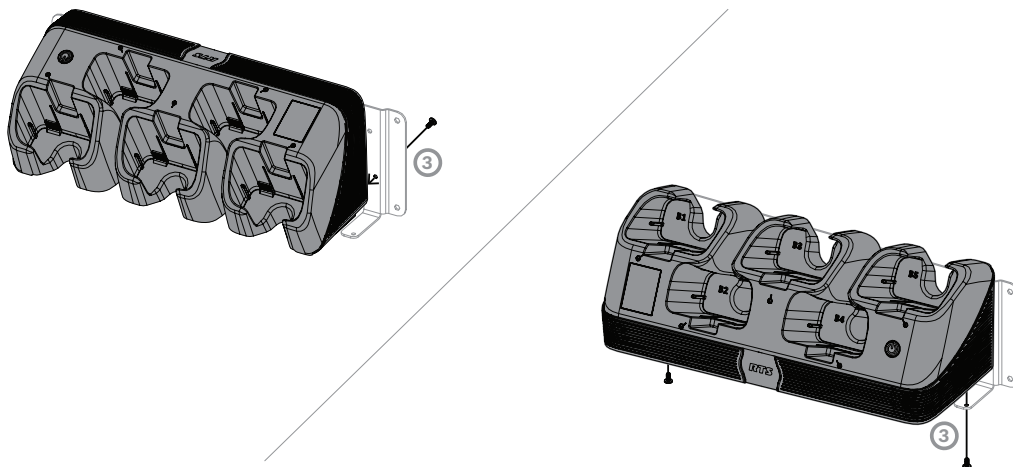
1. Using the bracket as a template, mark the wall where you want to install the unit.
2. Attach the power cord to the unit.



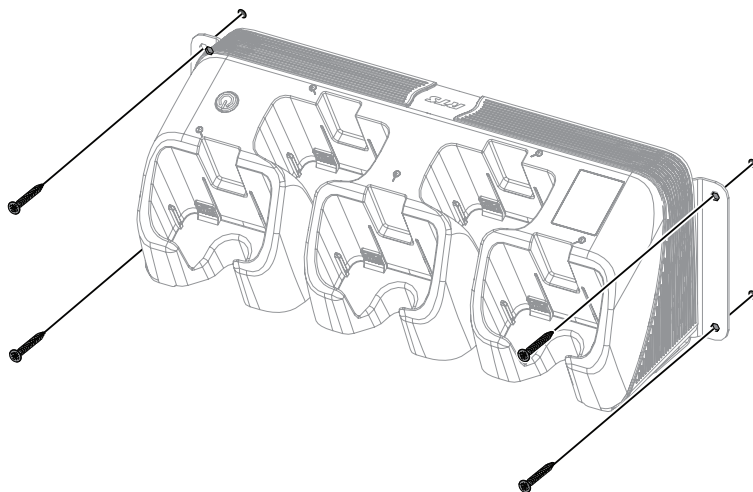
3. Align the back of the unit over the screws on the wall bracket, allowing the screw heads to slide into the largest part of the keyhole opening.
4. Using suitable force, slide the unit so the screw heads move to the smallest part of the keyhole opening.



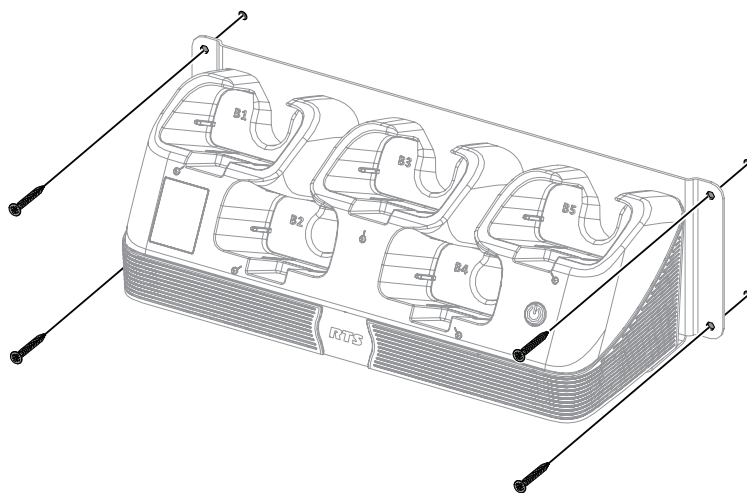
5. Using the supplied screws, attach the wall bracket to the CB-1000.
 - For a vertical mount, screw the bracket to the back of the unit.
 - For a horizontal mount, screw the bracket to the bottom of the unit.



- 6. Using the proper screws (M6 or ¼" diameter), attach the bracket with the CB-1000 in place to the wall.
 - For vertical installation



- For horizontal installation



3.4 Rack drawer, sliding rack tray, or tabletop mount

Mounting the CB-1000 in a rack drawer keeps it discreet and protected, while a pull-out tray allows for smooth, space-saving access. A tabletop setup ensures immediate usability and visibility, ideal for high-frequency tasks.

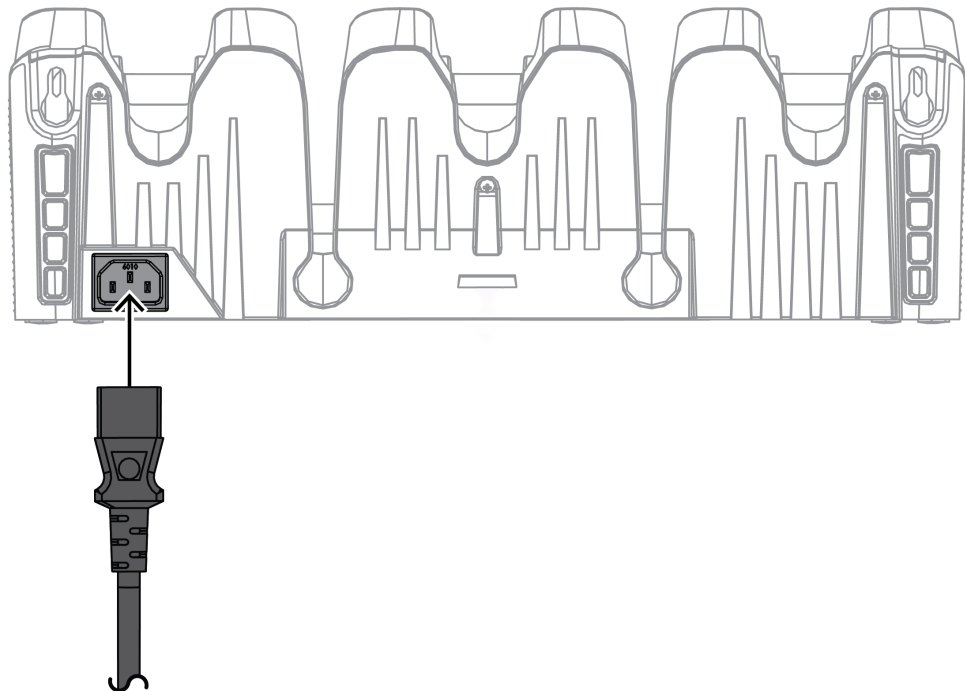
**Notice!**

Because the drawer and tabletop mounting instructions are identical, we'll demonstrate the drawer mount in this guide. You can follow these same steps to install the CB-1000 on a tabletop, as the process and hardware are the same for both configurations.

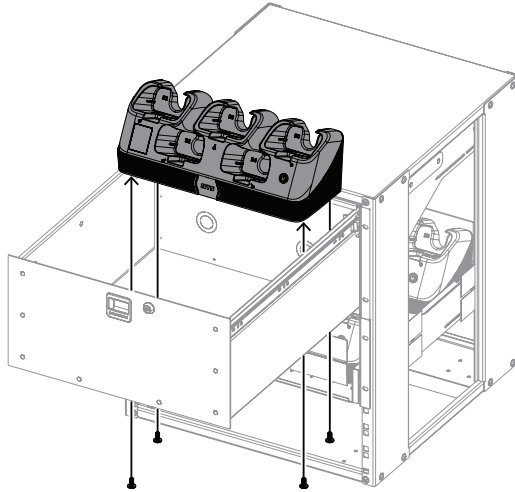
Mount the CB-1000 in a rack drawer**Notice!**

CB-1000 fits into a 5U rack drawer. We recommend using Penn Elcom R2293-18-5U rack drawer.

1. Using the supplied template and a pencil, mark the drill holes on the mounting surface.
2. Using a screwdriver, pre-drill the holes.
3. Attach the power cord to the unit.



4. Align the holes on the bottom of the unit with the pre-drilled holes.



5. Using M4x0.7 size screws, attach the unit to the mounting surface.

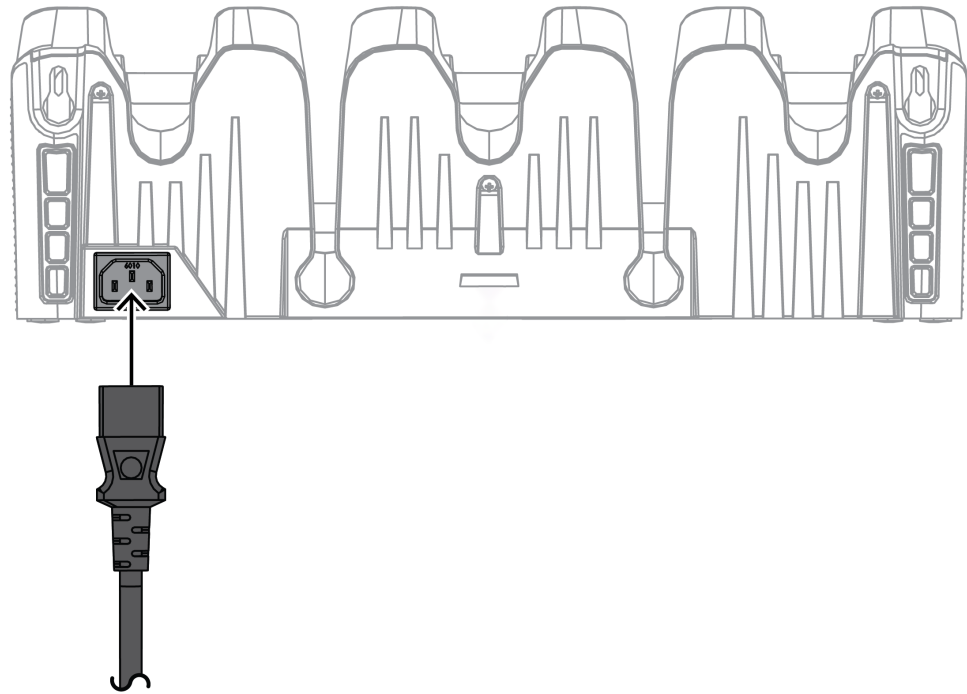
**Notice!**

To achieve the best results when mounting the CB-1000, make sure the screw threads engage through the mounting surface into the charger by at least 4 mm and no more than 6.5 mm. Overall screw length is dependent on the thickness of the mounting surface. Using longer screws can damage the device, so always verify the screw length before installation to protect the device and ensure a secure fit.

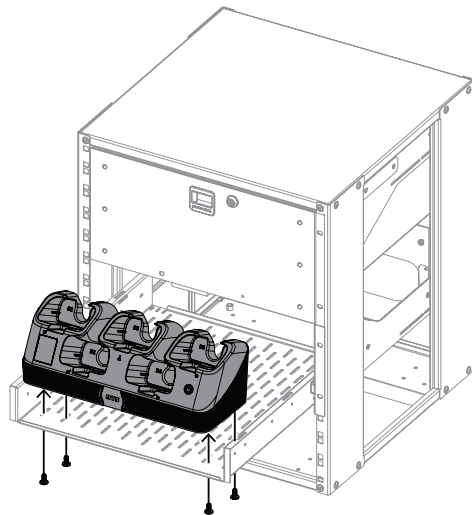
Mount the CB-1000 on a sliding rack tray**Notice!**

We recommend using Penn Elcom R1297-SL18-4U sliding rack tray. If using this sliding rack tray, you may not need to pre-drill screw holes for installation.

1. Using the supplied template and a pencil, mark the drill holes on the mounting surface.
2. Using a screwdriver, pre-drill the holes.
3. Attach the power cord to the unit.



4. Align the holes on the bottom of the unit with the pre-drilled holes.



5. Using M4x0.7 size screws, attach the unit to the mounting surface.

**Notice!**

To achieve the best results when mounting the CB-1000, make sure the screw threads engage through the mounting surface into the charger by at least 4 mm and no more than 6.5 mm. Overall screw length is dependent on the thickness of the mounting surface. Using longer screws can damage the device, so always verify the screw length before installation to protect the device and ensure a secure fit.

4 Insert and remove batteries

Inserting and removing batteries from the CB-1000 charging bay requires care to ensure proper handling and to avoid damage to the device or mounting surface. The beltpack units fit snugly into the charger, which helps maintain a secure connection but can make removal more difficult—especially when the charger is mounted to a wall. To prevent accidentally dislodging the charger from its mounting, always use both hands when inserting and removing beltpacks. This approach provides better control and reduces strain on the mounting hardware, ensuring safe and reliable operation.

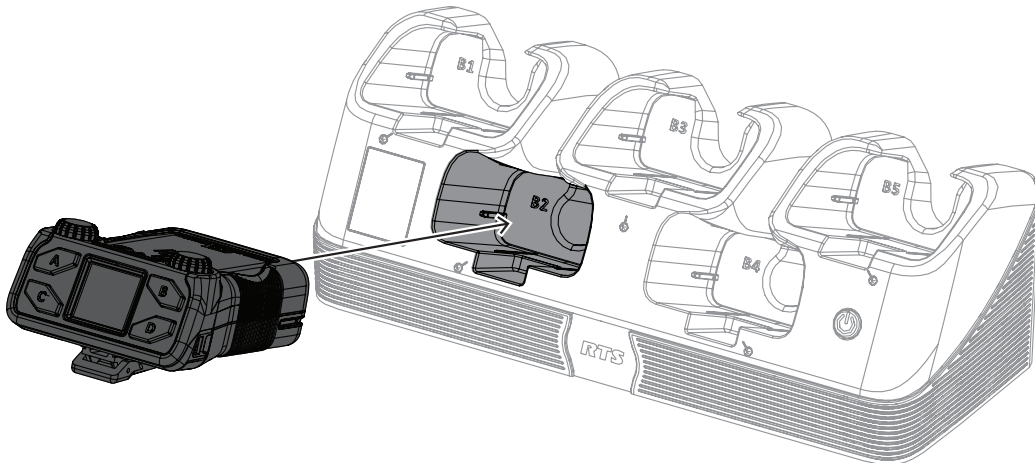


Notice!

You can charge batteries either while they are installed in the beltpack or on their own by placing them directly into the CB-1000 charging bay.

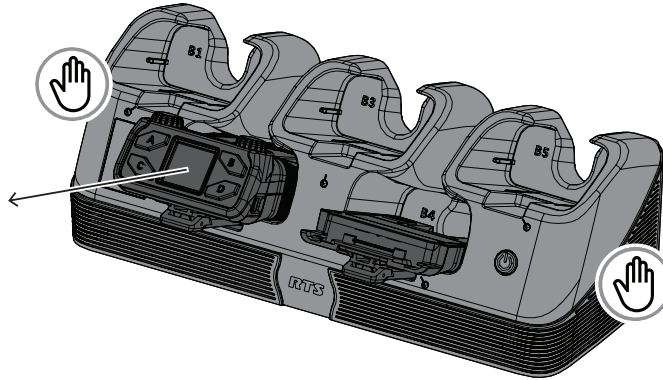
Insert the beltpack or battery into the CB-1000

- ▶ Insert the beltpack or battery into a battery bay.



Remove the beltpack or battery from the CB-1000

1. Place one hand on the battery charger.



- Carefully pull the battery or beltback from the charger.

4.1 Indicators and behaviors

This section explains the CB-1000 LED indicators and describes how the beltback and its battery behave during charging.

Power Indicators

Charger Turn On	Hold power button down for two seconds. All bay LEDs flash red, turn off quickly, then all flash green, finally the power button backlights green indicating the unit is on.
Charger Turn Off	Hold the power button down for four seconds. The green backlit power button turns off indicating the unit is off.

Bay Indicators

LED	Description
Solid green	Completely charged
Blinking green	> = 75% charged, still charging
Blinking amber	< = 75% charged, still charging
Blinking red	Battery over/under temperature
Solid red	Battery error
No indication	Nothing in bay or CB-1000 is turned off

Battery and Beltback Behavior

This section covers scenarios where the beltback is powered on or off, and whether the battery is installed in the beltback or charging separately.

- The battery can be charged while installed in the beltback or separately using a charging bay.
- The beltback can be charged while powered on or off.
- When the beltback is powered on and inserted into the charging bay:

- A lightning bolt icon appears over the battery symbol on the home screen to indicate active charging.
- The lightning bolt disappears once the battery reaches 100% State of Charge (SoC), but the beltack remains on.
- As the battery drains to 90% SoC, the charger resumes charging and the lightning bolt reappears.
- This charge-discharge cycle continues as long as the beltack remains in the charger while powered on.
- All buttons remain functional, allowing users to access any screen or feature.
- RF functionality remains fully operational during charging.
- When the beltack is powered off, the battery charges normally without displaying the lightning bolt or screen activity.

5 Technical data

Power

Input voltage (VAC)	100 VAC – 240 VAC
Input current (A)	1.5 A
Frequency	50 - 60 Hz
Power consumption (W) Max.	72 W

Charger @15 to 45 °C (Depleted battery to full)

Battery Only in a bay	< = 3.5 hours
Battery on a belt pack (on) in a bay	< = 5 hours
Battery on a belt pack (off) in a bay	< = 3.5 hours

NOTE: 0-15 °C charge time will be longer than above values given.

Bay LED Indicators

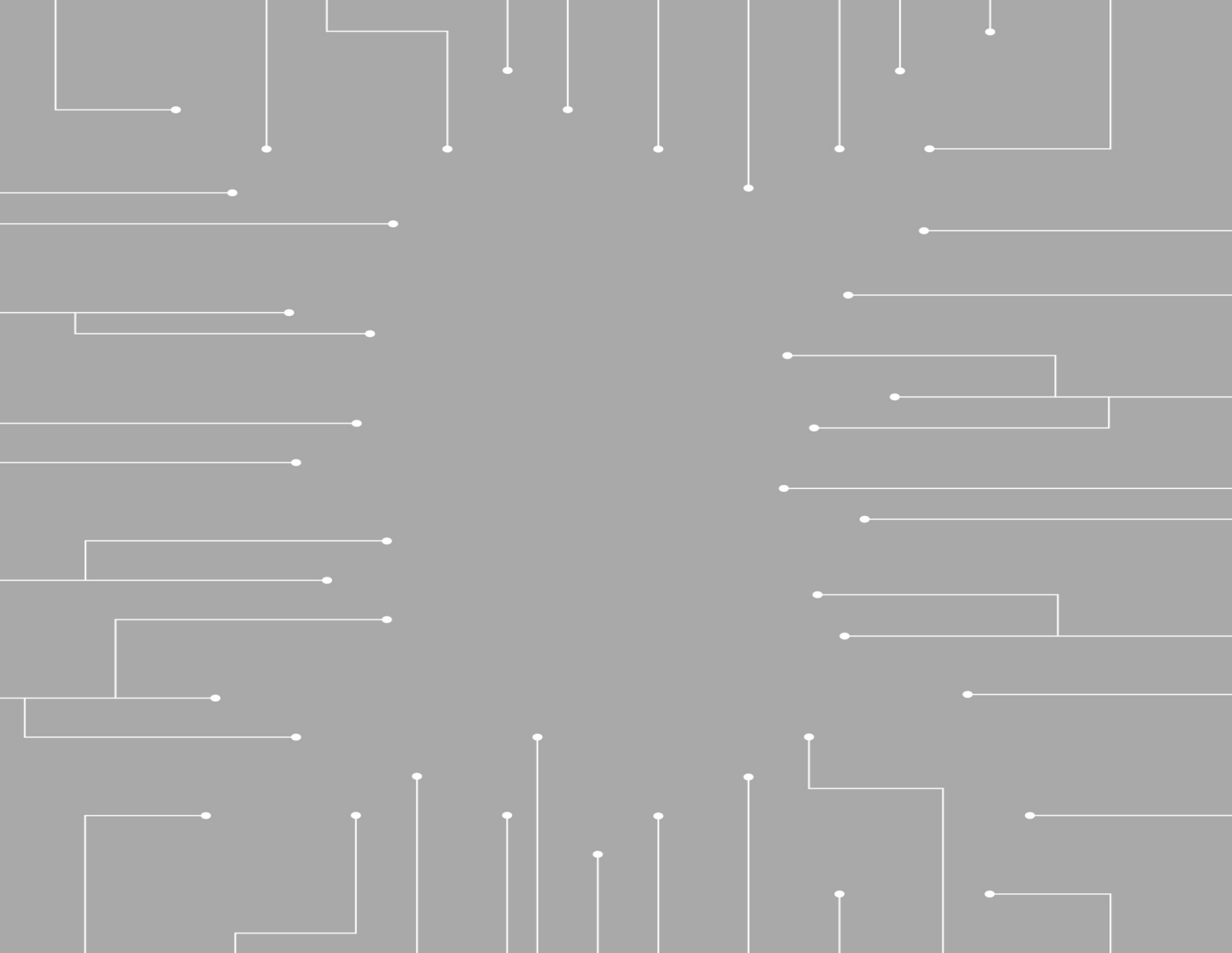
Solid green	Charged
Blinking green	Charged to > = 75%
Blinking amber	Charging < = 75%
Blinking red	Over or under temperature of battery in bay
Solid red	Battery error or connection issue

Mechanical

Dimensions (H x W x D) (in)	4.98 in x 15.11 in x 6.02 in
Dimensions (H x W x D) (mm)	126.6 mm x 384 mm x 153 mm
Weight (lb)	3.58 lb
Weight (kg)	1.62 kg

Environmental

Operating temperature (°F)	32 °F – 104 °F
Operating temperature (°C)	0 °C – 40 °C
Operating relative humidity, non-condensing (%)	5% – 90%
Storage temperature (°F)	-4 °F – 158 °F
Storage temperature (°C)	-20 °C – 70 °C
Storage relative humidity (%)	15% – 90%



Bosch Security Systems, LLC

130 Perinton Parkway
Fairport, NY 14450
USA

www.rtsintercoms.com

© Bosch Security Systems, LLC, 2025

EU importer:

Bosch Sicherheitssysteme GmbH

Robert-Bosch-Platz 1
70839 Gerlingen
Germany

© Bosch Sicherheitssysteme GmbH, 2025