

ADAM FRAME # 1

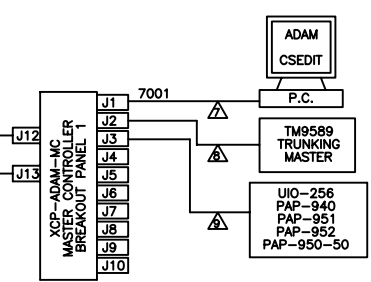
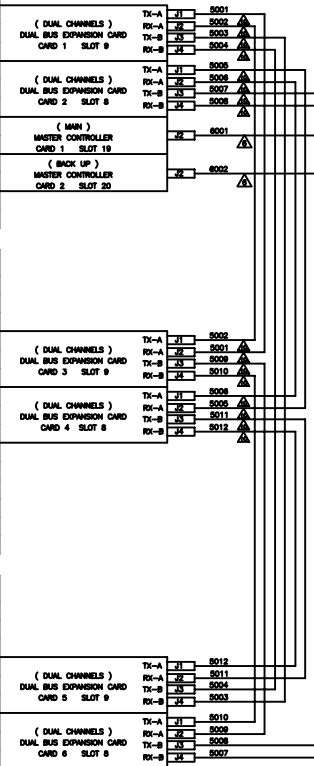
POINTS	PORTS	NO.	NO.	NO.	NO.	NO.	NO.	NO.	NO.	
1001	J1	▲	J2	▲	J2	▲	J2	▲	J2	▲
1002	J2	▲	J2	▲	J2	▲	J2	▲	J2	▲
1003	J3	▲	J2	▲	J2	▲	J2	▲	J2	▲
1004	J4	▲	J2	▲	J2	▲	J2	▲	J2	▲
1005	J5	▲	J2	▲	J2	▲	J2	▲	J2	▲
1006	J1	▲	J2	▲	J2	▲	J2	▲	J2	▲
1007	J2	▲	J2	▲	J2	▲	J2	▲	J2	▲
1008	J3	▲	J2	▲	J2	▲	J2	▲	J2	▲
1009	J4	▲	J2	▲	J2	▲	J2	▲	J2	▲
1010	J5	▲	J2	▲	J2	▲	J2	▲	J2	▲
1011	J1	▲	J2	▲	J2	▲	J2	▲	J2	▲
1012	J2	▲	J2	▲	J2	▲	J2	▲	J2	▲
1013	J3	▲	J2	▲	J2	▲	J2	▲	J2	▲
1014	J4	▲	J2	▲	J2	▲	J2	▲	J2	▲
1015	J5	▲	J2	▲	J2	▲	J2	▲	J2	▲

ADAM FRAME # 2

POINTS	PORTS	NO.	NO.	NO.	NO.	NO.	NO.	NO.	NO.	
1016	J1	▲	J2	▲	J2	▲	J2	▲	J2	▲
1017	J2	▲	J2	▲	J2	▲	J2	▲	J2	▲
1018	J3	▲	J2	▲	J2	▲	J2	▲	J2	▲
1019	J4	▲	J2	▲	J2	▲	J2	▲	J2	▲
1020	J5	▲	J2	▲	J2	▲	J2	▲	J2	▲
1021	J1	▲	J2	▲	J2	▲	J2	▲	J2	▲
1022	J2	▲	J2	▲	J2	▲	J2	▲	J2	▲
1023	J3	▲	J2	▲	J2	▲	J2	▲	J2	▲
1024	J4	▲	J2	▲	J2	▲	J2	▲	J2	▲
1025	J5	▲	J2	▲	J2	▲	J2	▲	J2	▲
1026	J1	▲	J2	▲	J2	▲	J2	▲	J2	▲
1027	J2	▲	J2	▲	J2	▲	J2	▲	J2	▲
1028	J3	▲	J2	▲	J2	▲	J2	▲	J2	▲
1029	J4	▲	J2	▲	J2	▲	J2	▲	J2	▲
1030	J5	▲	J2	▲	J2	▲	J2	▲	J2	▲

ADAM FRAME # 3

POINTS	PORTS	NO.	NO.	NO.	NO.	NO.	NO.	NO.	NO.	
1031	J1	▲	J2	▲	J2	▲	J2	▲	J2	▲
1032	J2	▲	J2	▲	J2	▲	J2	▲	J2	▲
1033	J3	▲	J2	▲	J2	▲	J2	▲	J2	▲
1034	J4	▲	J2	▲	J2	▲	J2	▲	J2	▲
1035	J5	▲	J2	▲	J2	▲	J2	▲	J2	▲
1036	J1	▲	J2	▲	J2	▲	J2	▲	J2	▲
1037	J2	▲	J2	▲	J2	▲	J2	▲	J2	▲
1038	J3	▲	J2	▲	J2	▲	J2	▲	J2	▲
1039	J4	▲	J2	▲	J2	▲	J2	▲	J2	▲
1040	J5	▲	J2	▲	J2	▲	J2	▲	J2	▲
1041	J1	▲	J2	▲	J2	▲	J2	▲	J2	▲
1042	J2	▲	J2	▲	J2	▲	J2	▲	J2	▲
1043	J3	▲	J2	▲	J2	▲	J2	▲	J2	▲
1044	J4	▲	J2	▲	J2	▲	J2	▲	J2	▲
1045	J5	▲	J2	▲	J2	▲	J2	▲	J2	▲



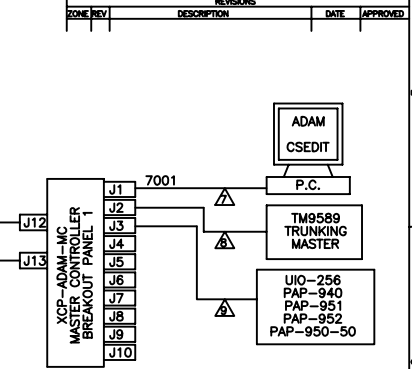
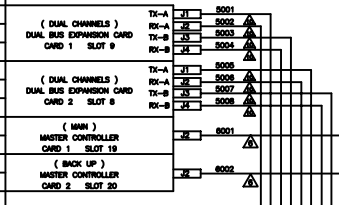
- CABLE LEGENDS:**
- ▲ DENOTES 25 PAIRS SC25-3 CABLE SEE DRAWING : ADAM-801 (REV. C)
 - ▲ DENOTES 25 PAIRS TELCO CABLE SEE DRAWING : ADAM-802 (REV. C)
 - ▲ DENOTES RJ45 TO 25 PAIRS TELCO SEE DRAWING : ADAM-803 (REV. C)
 - ▲ DENOTES RJ11 TO 25 PAIRS TELCO SEE DRAWING : ADAM-804 (REV. C)
 - ▲ DENOTES DSFP TO 25 PAIRS TELCO SEE DRAWING : ADAM-805 (REV. C)
 - ▲ DENOTES 48 PAIRS SC25-3 CABLE SEE DRAWING : ADAM-806 (REV. C)
 - ▲ DENOTES RS232C CABLE SEE DRAWING : ADAM-807 (REV. C)
 - ▲ DENOTES RS485, RS422 CABLE SEE DRAWING : ADAM-808 (REV. C)
 - ▲ DENOTES RS485 CABLE SEE DRAWING : ADAM-809 (REV. C)
 - ▲ DENOTES RS485 COAXIAL CABLE SEE DRAWING : ADAM-810 (REV. C)

CONTRACT NO.		RTS SYSTEMS		BURNING, CALIFORNIA, USA	
APPROVALS	DATE	ADAM INTERCOM MATRIX 360 X 360			
DRAWN	BY	XCP-40-RJ12 / SC25			
DESIGNED	BY	DUAL BUS EXPANDER FULL REDUNDANT AUDIO INTERCONNECTION DIAGRAM			
CREATED	BY	SIZE	FROM	DWG	NO.
		D		ADAM-DBX-121	REV
		SCALE			SHEET
ADAM-DBX-121A					

STATION BREAKOUT PANEL		JACKFIELD AUDIO AND DATA					
	1001	IN	AUDIO IN 1 - 24	OUT	1101	J1	J4
RJ11	1002	OUT	AUDIO OUT 1 - 24	IN	1102	J2	J5
PANEL NO. 1	2001	OUT	KP DATA 1 - 24	IN	2101	J3	J6
	1003	IN	AUDIO IN 25 - 48	OUT	1103	J1	J4
RJ11	1004	OUT	AUDIO OUT 25 - 48	IN	1104	J2	J5
PANEL NO. 2	2002	OUT	KP DATA 25 - 48	IN	2102	J3	J6
	1005	IN	AUDIO IN 49 - 72	OUT	1105	J1	J4
RJ11	1006	OUT	AUDIO OUT 49 - 72	IN	1106	J2	J5
PANEL NO. 3	2003	OUT	KP DATA 49 - 72	IN	2103	J3	J6
	1007	IN	AUDIO IN 73 - 96	OUT	1107	J1	J4
RJ11	1008	OUT	AUDIO OUT 73 - 96	IN	1108	J2	J5
PANEL NO. 4	2004	OUT	KP DATA 73 - 96	IN	2104	J3	J6
	1009	IN	AUDIO IN 97 - 120	OUT	1109	J1	J4
RJ11	1010	OUT	AUDIO OUT 97 - 120	IN	1110	J2	J5
PANEL NO. 5	2005	OUT	KP DATA 97 - 120	IN	2105	J3	J6

ADAM FRAME # 1

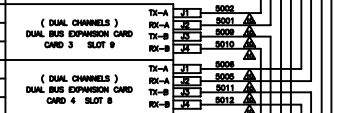
POINTS	CARD	TYPE	BACK CARD
1201	CARD 1	AC-SC-3	SC-3
1202	CARD 2	AC-SC-3	SC-3
1203	CARD 3	AC-SC-3	SC-3
1204	CARD 4	AC-SC-3	SC-3
1205	CARD 5	AC-SC-3	SC-3
1206	CARD 6	AC-SC-3	SC-3
1207	CARD 7	AC-SC-3	SC-3
1208	CARD 8	AC-SC-3	SC-3
1209	CARD 9	AC-SC-3	SC-3
1210	CARD 10	AC-SC-3	SC-3
1211	CARD 11	AC-SC-3	SC-3
1212	CARD 12	AC-SC-3	SC-3
1213	CARD 13	AC-SC-3	SC-3
1214	CARD 14	AC-SC-3	SC-3
1215	CARD 15	AC-SC-3	SC-3



STATION BREAKOUT PANEL		JACKFIELD AUDIO AND DATA					
	1011	IN	AUDIO IN 121 - 144	OUT	1111	J1	J4
RJ11	1012	OUT	AUDIO OUT 121 - 144	IN	1112	J2	J5
PANEL NO. 6	2006	OUT	KP DATA 121 - 144	IN	2106	J3	J6
	1013	IN	AUDIO IN 145 - 168	OUT	1113	J1	J4
RJ11	1014	OUT	AUDIO OUT 145 - 168	IN	1114	J2	J5
PANEL NO. 7	2007	OUT	KP DATA 145 - 168	IN	2107	J3	J6
	1015	IN	AUDIO IN 169 - 192	OUT	1115	J1	J4
RJ11	1016	OUT	AUDIO OUT 169 - 192	IN	1116	J2	J5
PANEL NO. 8	2008	OUT	KP DATA 169 - 192	IN	2108	J3	J6
	1017	IN	AUDIO IN 193 - 216	OUT	1117	J1	J4
RJ11	1018	OUT	AUDIO OUT 193 - 216	IN	1118	J2	J5
PANEL NO. 9	2009	OUT	KP DATA 193 - 216	IN	2109	J3	J6
	1019	IN	AUDIO IN 217 - 240	OUT	1119	J1	J4
RJ11	1020	OUT	AUDIO OUT 217 - 240	IN	1120	J2	J5
PANEL NO. 10	2010	OUT	KP DATA 217 - 240	IN	2110	J3	J6

ADAM FRAME # 2

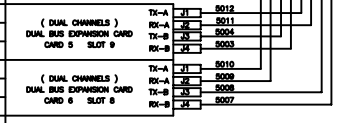
POINTS	CARD	TYPE	BACK CARD
1216	CARD 16	AC-SC-3	SC-3
1217	CARD 17	AC-SC-3	SC-3
1218	CARD 18	AC-SC-3	SC-3
1219	CARD 19	AC-SC-3	SC-3
1220	CARD 20	AC-SC-3	SC-3
1221	CARD 21	AC-SC-3	SC-3
1222	CARD 22	AC-SC-3	SC-3
1223	CARD 23	AC-SC-3	SC-3
1224	CARD 24	AC-SC-3	SC-3
1225	CARD 25	AC-SC-3	SC-3
1226	CARD 26	AC-SC-3	SC-3
1227	CARD 27	AC-SC-3	SC-3
1228	CARD 28	AC-SC-3	SC-3
1229	CARD 29	AC-SC-3	SC-3
1230	CARD 30	AC-SC-3	SC-3



STATION BREAKOUT PANEL		JACKFIELD AUDIO AND DATA					
	1021	IN	AUDIO IN 241 - 264	OUT	1121	J1	J4
RJ11	1022	OUT	AUDIO OUT 241 - 264	IN	1122	J2	J5
PANEL NO. 11	2011	OUT	KP DATA 241 - 264	IN	2111	J3	J6
	1023	IN	AUDIO IN 265 - 288	OUT	1123	J1	J4
RJ11	1024	OUT	AUDIO OUT 265 - 288	IN	1124	J2	J5
PANEL NO. 12	2012	OUT	KP DATA 265 - 288	IN	2112	J3	J6
	1025	IN	AUDIO IN 289 - 312	OUT	1125	J1	J4
RJ11	1026	OUT	AUDIO OUT 289 - 312	IN	1126	J2	J5
PANEL NO. 13	2013	OUT	KP DATA 289 - 312	IN	2113	J3	J6
	1027	IN	AUDIO IN 313 - 336	OUT	1127	J1	J4
RJ11	1028	OUT	AUDIO OUT 313 - 336	IN	1128	J2	J5
PANEL NO. 14	2014	OUT	KP DATA 313 - 336	IN	2114	J3	J6
	1029	IN	AUDIO IN 337 - 360	OUT	1129	J1	J4
RJ11	1030	OUT	AUDIO OUT 337 - 360	IN	1130	J2	J5
PANEL NO. 15	2015	OUT	KP DATA 337 - 360	IN	2115	J3	J6

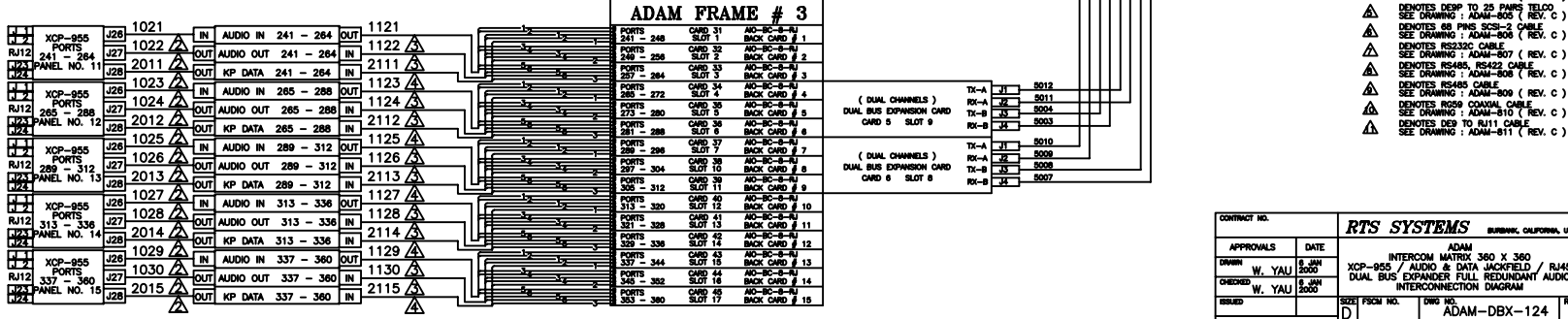
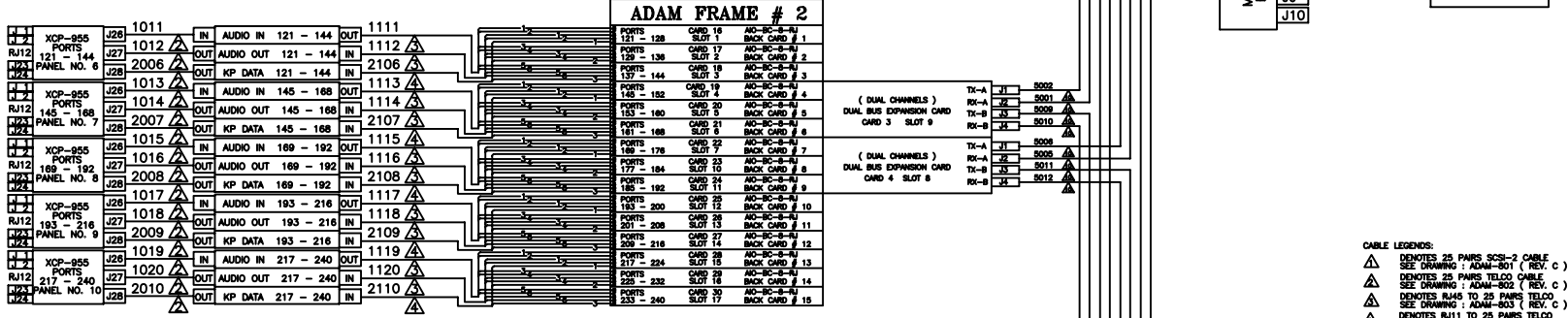
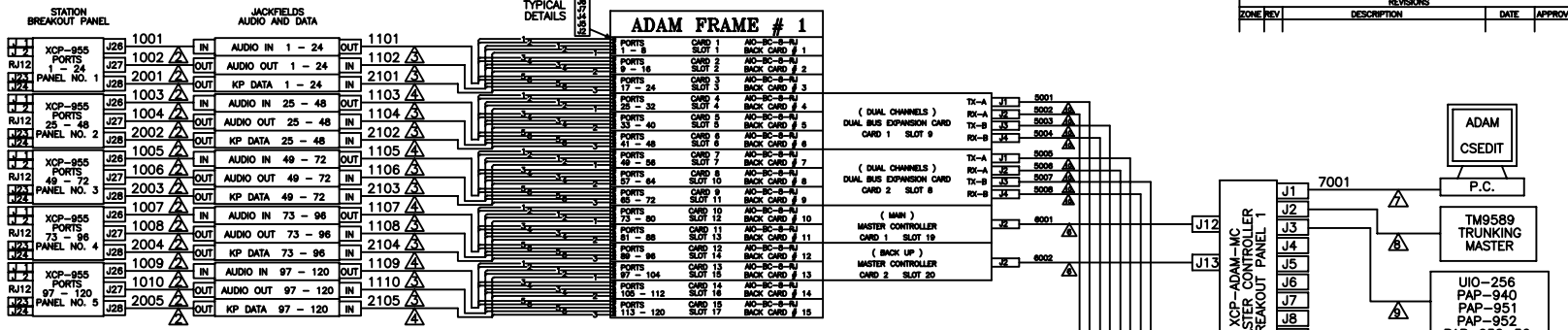
ADAM FRAME # 3

POINTS	CARD	TYPE	BACK CARD
1231	CARD 31	AC-SC-3	SC-3
1232	CARD 32	AC-SC-3	SC-3
1233	CARD 33	AC-SC-3	SC-3
1234	CARD 34	AC-SC-3	SC-3
1235	CARD 35	AC-SC-3	SC-3
1236	CARD 36	AC-SC-3	SC-3
1237	CARD 37	AC-SC-3	SC-3
1238	CARD 38	AC-SC-3	SC-3
1239	CARD 39	AC-SC-3	SC-3
1240	CARD 40	AC-SC-3	SC-3
1241	CARD 41	AC-SC-3	SC-3
1242	CARD 42	AC-SC-3	SC-3
1243	CARD 43	AC-SC-3	SC-3
1244	CARD 44	AC-SC-3	SC-3
1245	CARD 45	AC-SC-3	SC-3



- CABLE LEGENDS:
- △ IDENTIFIES 25 PAIRS SC3-3 CABLE SEE DRAWING: ADAM-801 (REV. C)
 - △ IDENTIFIES 25 PAIRS TELCO CABLE SEE DRAWING: ADAM-802 (REV. C)
 - △ IDENTIFIES RJ45 TO 25 PAIRS TELCO SEE DRAWING: ADAM-803 (REV. C)
 - △ IDENTIFIES RJ11 TO 25 PAIRS TELCO SEE DRAWING: ADAM-804 (REV. C)
 - △ IDENTIFIES RDP TO 25 PAIRS TELCO SEE DRAWING: ADAM-805 (REV. C)
 - △ IDENTIFIES 48 PAIRS SC3-3 CABLE SEE DRAWING: ADAM-806 (REV. C)
 - △ IDENTIFIES RS232C CABLE SEE DRAWING: ADAM-807 (REV. C)
 - △ IDENTIFIES RS485 RS422 CABLE SEE DRAWING: ADAM-808 (REV. C)
 - △ IDENTIFIES RS485 CABLE SEE DRAWING: ADAM-809 (REV. C)
 - △ IDENTIFIES RS232C COAXIAL CABLE SEE DRAWING: ADAM-810 (REV. C)

CONTRACT NO.		RTS SYSTEMS		BERRIDGE, CALIFORNIA, USA	
APPROVALS	DATE	ADAM INTERCOM MATRIX 360 X 360 XCP-950 / AUDIO & DATA JACKFIELD / SC3 DUAL BUS EXTENDER FULL REDUNDANT AUDIO INTERCONNECTION DIAGRAM			
DRAWN	8 JUN 80				
CHECKED	W. YAU				
CREATED	W. YAU				
SIZE	FRONT NO.	DWG NO.	ADAM-DBX-123	REV	
D					
ADAM-DBX-123A		SCALE SHEET			



- CABLE LEGENDS:**
- △ DENOTES 25 PAIRS SC5-2 CABLE SEE DRAWING: ADAM-101 (REV. C)
 - △ DENOTES 25 PAIRS TELCO CABLE SEE DRAWING: ADAM-802 (REV. C)
 - △ DENOTES RJ45 TO 25 PAIRS TELCO SEE DRAWING: ADAM-803 (REV. C)
 - △ DENOTES RJ11 TO 25 PAIRS TELCO SEE DRAWING: ADAM-804 (REV. C)
 - △ DENOTES 25 PAIRS TELCO SEE DRAWING: ADAM-805 (REV. C)
 - △ DENOTES 48 PAIRS SC5-2 CABLE SEE DRAWING: ADAM-806 (REV. C)
 - △ DENOTES RS232C CABLE SEE DRAWING: ADAM-807 (REV. C)
 - △ DENOTES RJ45 TO 25 PAIRS TELCO SEE DRAWING: ADAM-808 (REV. C)
 - △ DENOTES RS485 CABLE SEE DRAWING: ADAM-809 (REV. C)
 - △ DENOTES RS232C COAXIAL CABLE SEE DRAWING: ADAM-810 (REV. C)
 - △ DENOTES DB9 TO RJ11 CABLE SEE DRAWING: ADAM-811 (REV. C)

CONTRACT NO. _____

APPROVALS DATE _____

DRAWN W. YAU 8 JAN 2000

CHECKED W. YAU 8 JAN 2000

ISSUED _____

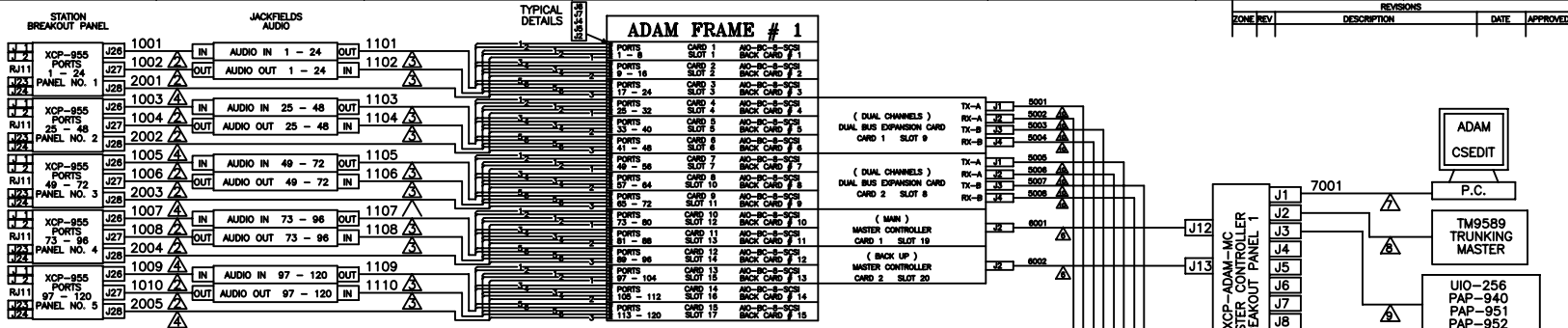
SIZE: FCEN NO. _____ DWG NO. _____ REV _____

SCALE _____ SHEET _____

RTS SYSTEMS BURNING, CALIFORNIA, USA

INTERCOM MATRIX 360 X 360
 XCP-955 / AUDIO & DATA UNCLE / RJ45
 DUAL BUS EXPANDER FULL REDUNDANT AUDIO
 INTERCONNECTION DIAGRAM

ADAM-DBX-124A



STATION BREAKOUT PANEL		JACKFIELDS AUDIO AND DATA							
DE9P 147 148	XCP954-48 PORTS 1 - 48 PANEL NO. 1	J51	1001	IN	AUDIO IN 1 - 24	OUT	1101	J1	1201
		J53	1002	OUT	AUDIO OUT 1 - 24	IN	1102	J2	1202
		J55	2001	OUT	KP DATA 1 - 24	IN	2101	J3	1203
		J52	1003	IN	AUDIO IN 25 - 48	OUT	1103	J4	1204
		J54	1004	OUT	AUDIO OUT 25 - 48	IN	1104	J5	1205
DE9P 147 148	XCP954-48 PORTS 49 - 96 PANEL NO. 2	J56	2002	OUT	KP DATA 25 - 48	IN	2102	J6	1206
		J51	1005	IN	AUDIO IN 49 - 72	OUT	1105	J1	1207
		J53	1006	OUT	AUDIO OUT 49 - 72	IN	1106	J2	1208
		J55	2003	OUT	KP DATA 49 - 72	IN	2103	J3	1209
		J52	1007	IN	AUDIO IN 73 - 96	OUT	1107	J4	1210
DE9P 147 148	XCP954-48 PORTS 97 - 144 PANEL NO. 3	J54	1008	OUT	AUDIO OUT 73 - 96	IN	1108	J5	1211
		J56	2004	OUT	KP DATA 73 - 96	IN	2104	J6	1212
		J51	1009	IN	AUDIO IN 97 - 120	OUT	1109	J1	1213
		J53	1010	OUT	AUDIO OUT 97 - 120	IN	1110	J2	1214
		J55	2005	OUT	KP DATA 97 - 120	IN	2105	J3	1215
DE9P 147 148	XCP954-48 PORTS 145 - 192 PANEL NO. 4	J52	1011	IN	AUDIO IN 121 - 144	OUT	1111	J1	1216
		J54	1012	OUT	AUDIO OUT 121 - 144	IN	1112	J2	1217
		J56	2006	OUT	KP DATA 121 - 144	IN	2106	J3	1218
		J51	1013	IN	AUDIO IN 145 - 168	OUT	1113	J4	1219
		J53	1014	OUT	AUDIO OUT 145 - 168	IN	1114	J5	1220
DE9P 147 148	XCP954-48 PORTS 193 - 240 PANEL NO. 5	J55	2007	OUT	KP DATA 145 - 168	IN	2107	J6	1221
		J52	1015	IN	AUDIO IN 169 - 192	OUT	1115	J1	1222
		J54	1016	OUT	AUDIO OUT 169 - 192	IN	1116	J2	1223
		J56	2008	OUT	KP DATA 169 - 192	IN	2108	J3	1224
		J51	1017	IN	AUDIO IN 193 - 216	OUT	1117	J4	1225
DE9P 147 148	XCP954-48 PORTS 241 - 288 PANEL NO. 6	J53	1018	OUT	AUDIO OUT 193 - 216	IN	1118	J5	1226
		J55	2009	OUT	KP DATA 193 - 216	IN	2109	J6	1227
		J52	1019	IN	AUDIO IN 217 - 240	OUT	1119	J1	1228
		J54	1020	OUT	AUDIO OUT 217 - 240	IN	1120	J2	1229
		J56	2010	OUT	KP DATA 217 - 240	IN	2110	J3	1230
DE9P 147 148	XCP954-48 PORTS 289 - 336 PANEL NO. 7	J51	1021	IN	AUDIO IN 241 - 264	OUT	1121	J1	1231
		J53	1022	OUT	AUDIO OUT 241 - 264	IN	1122	J2	1232
		J55	2011	OUT	KP DATA 241 - 264	IN	2111	J3	1233
		J52	1023	IN	AUDIO IN 265 - 288	OUT	1123	J4	1234
		J54	1024	OUT	AUDIO OUT 265 - 288	IN	1124	J5	1235
DE9P 147 148	XCP954-48 PORTS 337 - 360 PANEL NO. 8	J56	2012	OUT	KP DATA 265 - 288	IN	2112	J6	1236
		J51	1025	IN	AUDIO IN 289 - 312	OUT	1125	J1	1237
		J53	1026	OUT	AUDIO OUT 289 - 312	IN	1126	J2	1238
		J55	2013	OUT	KP DATA 289 - 312	IN	2113	J3	1239
		J52	1027	IN	AUDIO IN 313 - 336	OUT	1127	J4	1240
DE9P 147 148	XCP954-48 PORTS 337 - 360 PANEL NO. 8	J54	1028	OUT	AUDIO OUT 313 - 336	IN	1128	J5	1241
		J56	2014	OUT	KP DATA 313 - 336	IN	2114	J6	1242
		J51	1029	IN	AUDIO IN 337 - 360	OUT	1129	J1	1243
		J53	1030	OUT	AUDIO OUT 337 - 360	IN	1130	J2	1244
		J55	2015	OUT	KP DATA 337 - 360	IN	2115	J3	1245

ADAM FRAME # 1

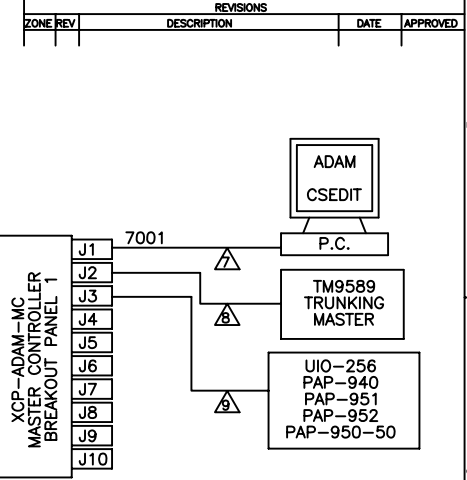
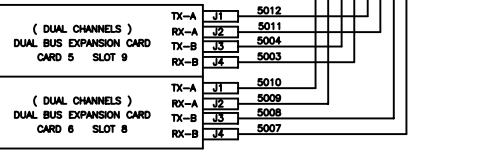
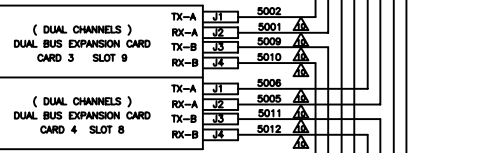
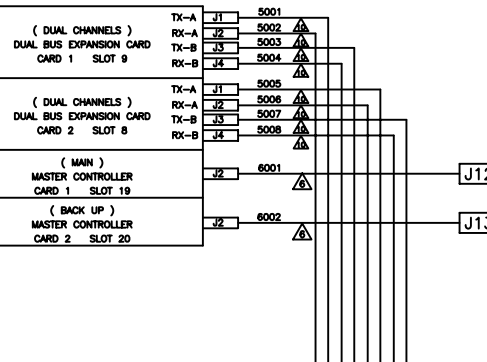
PORTS	CARD	AI0-BC-8-SCSI	BACK CARD
1 - 6	CARD 1	AI0-BC-8-SCSI	BACK CARD # 1
7 - 8	CARD 2	AI0-BC-8-SCSI	BACK CARD # 2
9 - 16	CARD 3	AI0-BC-8-SCSI	BACK CARD # 3
17 - 24	CARD 4	AI0-BC-8-SCSI	BACK CARD # 4
25 - 32	CARD 5	AI0-BC-8-SCSI	BACK CARD # 5
33 - 40	CARD 6	AI0-BC-8-SCSI	BACK CARD # 6
41 - 48	CARD 7	AI0-BC-8-SCSI	BACK CARD # 7
49 - 56	CARD 8	AI0-BC-8-SCSI	BACK CARD # 8
57 - 64	CARD 9	AI0-BC-8-SCSI	BACK CARD # 9
65 - 72	CARD 10	AI0-BC-8-SCSI	BACK CARD # 10
73 - 80	CARD 11	AI0-BC-8-SCSI	BACK CARD # 11
81 - 88	CARD 12	AI0-BC-8-SCSI	BACK CARD # 12
89 - 96	CARD 13	AI0-BC-8-SCSI	BACK CARD # 13
97 - 104	CARD 14	AI0-BC-8-SCSI	BACK CARD # 14
105 - 112	CARD 15	AI0-BC-8-SCSI	BACK CARD # 15
113 - 120	CARD 16	AI0-BC-8-SCSI	BACK CARD # 16

ADAM FRAME # 2

PORTS	CARD	AI0-BC-8-SCSI	BACK CARD
121 - 128	CARD 16	AI0-BC-8-SCSI	BACK CARD # 1
129 - 136	CARD 17	AI0-BC-8-SCSI	BACK CARD # 2
137 - 144	CARD 18	AI0-BC-8-SCSI	BACK CARD # 3
145 - 152	CARD 19	AI0-BC-8-SCSI	BACK CARD # 4
153 - 160	CARD 20	AI0-BC-8-SCSI	BACK CARD # 5
161 - 168	CARD 21	AI0-BC-8-SCSI	BACK CARD # 6
169 - 176	CARD 22	AI0-BC-8-SCSI	BACK CARD # 7
177 - 184	CARD 23	AI0-BC-8-SCSI	BACK CARD # 8
185 - 192	CARD 24	AI0-BC-8-SCSI	BACK CARD # 9
193 - 200	CARD 25	AI0-BC-8-SCSI	BACK CARD # 10
201 - 208	CARD 26	AI0-BC-8-SCSI	BACK CARD # 11
209 - 216	CARD 27	AI0-BC-8-SCSI	BACK CARD # 12
217 - 224	CARD 28	AI0-BC-8-SCSI	BACK CARD # 13
225 - 232	CARD 29	AI0-BC-8-SCSI	BACK CARD # 14
233 - 240	CARD 30	AI0-BC-8-SCSI	BACK CARD # 15

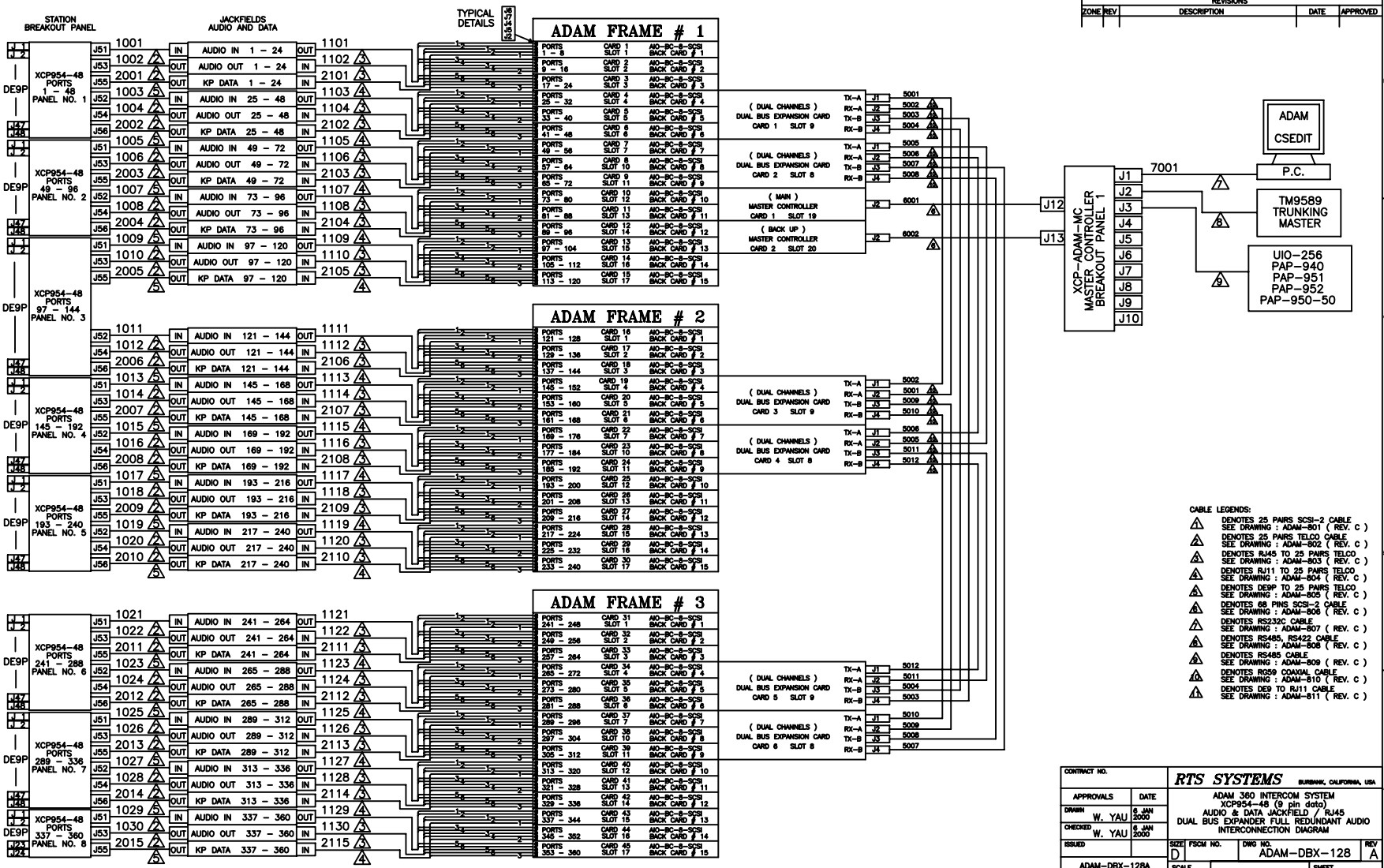
ADAM FRAME # 3

PORTS	CARD	AI0-BC-8-SCSI	BACK CARD
241 - 248	CARD 31	AI0-BC-8-SCSI	BACK CARD # 1
249 - 256	CARD 32	AI0-BC-8-SCSI	BACK CARD # 2
257 - 264	CARD 33	AI0-BC-8-SCSI	BACK CARD # 3
265 - 272	CARD 34	AI0-BC-8-SCSI	BACK CARD # 4
273 - 280	CARD 35	AI0-BC-8-SCSI	BACK CARD # 5
281 - 288	CARD 36	AI0-BC-8-SCSI	BACK CARD # 6
289 - 296	CARD 37	AI0-BC-8-SCSI	BACK CARD # 7
297 - 304	CARD 38	AI0-BC-8-SCSI	BACK CARD # 8
305 - 312	CARD 39	AI0-BC-8-SCSI	BACK CARD # 9
313 - 320	CARD 40	AI0-BC-8-SCSI	BACK CARD # 10
321 - 328	CARD 41	AI0-BC-8-SCSI	BACK CARD # 11
329 - 336	CARD 42	AI0-BC-8-SCSI	BACK CARD # 12
337 - 344	CARD 43	AI0-BC-8-SCSI	BACK CARD # 13
345 - 352	CARD 44	AI0-BC-8-SCSI	BACK CARD # 14
353 - 360	CARD 45	AI0-BC-8-SCSI	BACK CARD # 15



- CABLE LEGENDS:**
- △ DENOTES 25 PAIRS SCSI-2 CABLE SEE DRAWING: ADAM-801 (REV. C)
 - △ DENOTES 25 PAIRS TELCO CABLE SEE DRAWING: ADAM-802 (REV. C)
 - △ DENOTES RJ45 TO 25 PAIRS TELCO SEE DRAWING: ADAM-803 (REV. C)
 - △ DENOTES RJ11 TO 25 PAIRS TELCO SEE DRAWING: ADAM-804 (REV. C)
 - △ DENOTES DE9P TO 25 PAIRS TELCO SEE DRAWING: ADAM-805 (REV. C)
 - △ DENOTES 68 PINS SCSI-2 CABLE SEE DRAWING: ADAM-806 (REV. C)
 - △ DENOTES RS232C CABLE SEE DRAWING: ADAM-807 (REV. C)
 - △ DENOTES RS485, RS422 CABLE SEE DRAWING: ADAM-808 (REV. C)
 - △ DENOTES RS485 CABLE SEE DRAWING: ADAM-809 (REV. C)
 - △ DENOTES RG59 COAXIAL CABLE SEE DRAWING: ADAM-810 (REV. C)

CONTRACT NO.		RTS SYSTEMS BURBANK, CALIFORNIA, USA	
APPROVALS	DATE	ADAM 360 INTERCOM SYSTEM	
DRAWN	W. YAU	6 JAN 2000	XCP954-48 (9 pin data)
CHECKED	W. YAU	6 JAN 2000	AUDIO & DATA JACKFIELD / SCSI
ISSUED			DUAL BUS EXPANDER FULL REDUNDANT AUDIO INTERCONNECTION DIAGRAM
ADAM-DBX-127A	SCALE	DWG NO. ADAM-DBX-127	REV. A
		SHEET	



ZONE REV	DESCRIPTION	DATE	APPROVED

- CABLE LEGENDS:**
- △ DENOTES 25 Pairs SCSI-2 CABLE SEE DRAWING : ADAM-801 (REV. C)
 - △ DENOTES 25 Pairs TEO CABLE SEE DRAWING : ADAM-802 (REV. C)
 - △ DENOTES RJ45 TO 25 Pairs TELCO SEE DRAWING : ADAM-804 (REV. C)
 - △ DENOTES D59 TO 25 Pairs TELCO SEE DRAWING : ADAM-805 (REV. C)
 - △ DENOTES 68 PINS SCSI-2 CABLE SEE DRAWING : ADAM-806 (REV. C)
 - △ DENOTES RS232C CABLE SEE DRAWING : ADAM-807 (REV. C)
 - △ DENOTES RS485, RS422 CABLE SEE DRAWING : ADAM-808 (REV. C)
 - △ DENOTES RS485 CABLE SEE DRAWING : ADAM-809 (REV. C)
 - △ DENOTES RS59 COAXIAL CABLE SEE DRAWING : ADAM-810 (REV. C)
 - △ DENOTES D59 TO RJ11 CABLE SEE DRAWING : ADAM-811 (REV. C)

CONTRACT NO. _____

APPROVALS	DATE

DRAWN W. YAU 6 JUN 2000
 CHECKED W. YAU 6 JUN 2000
 ISSUED _____

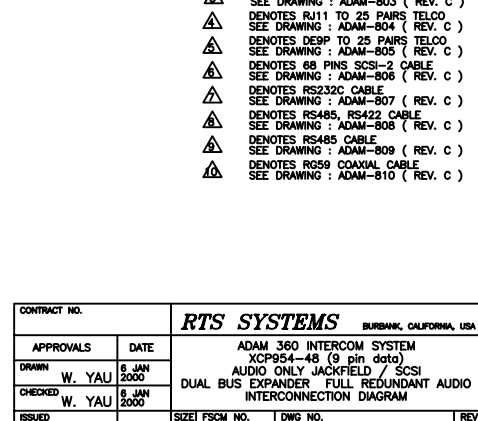
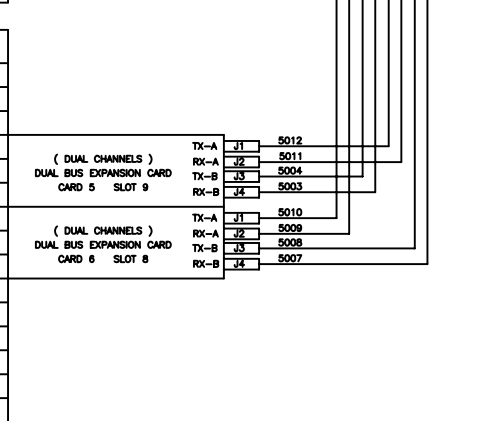
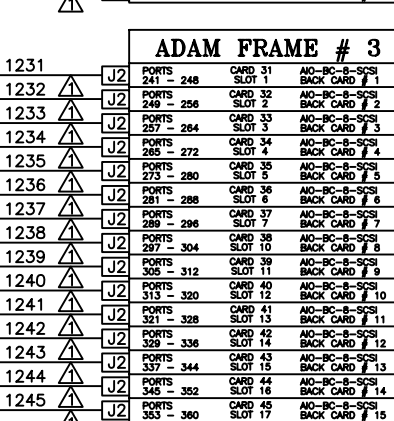
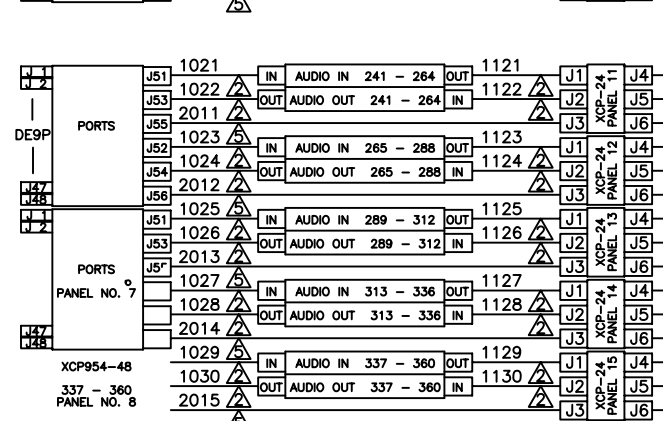
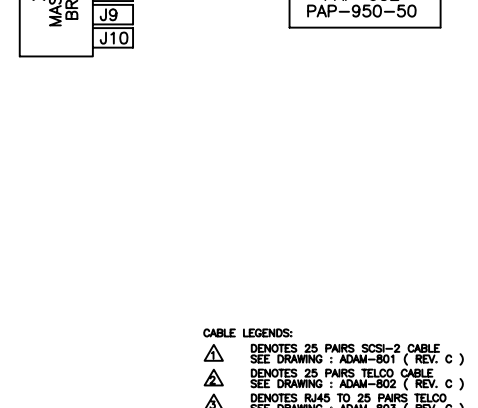
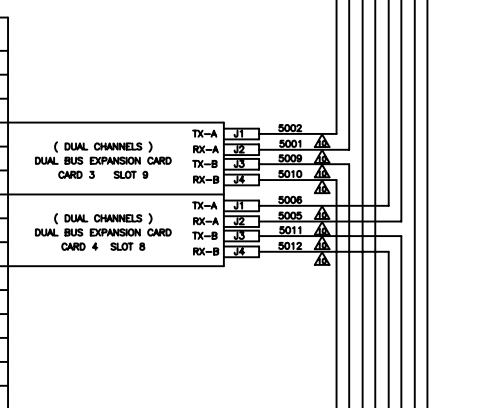
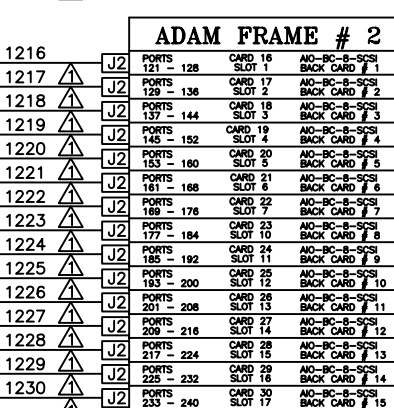
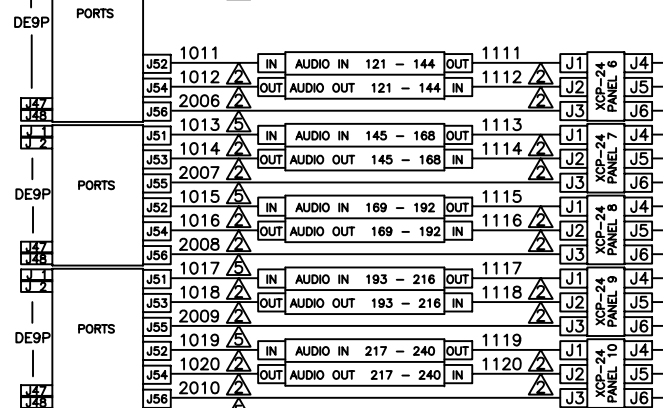
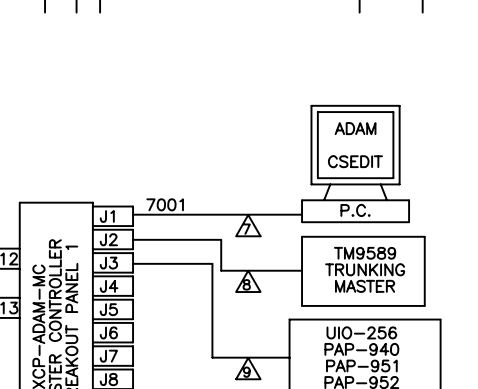
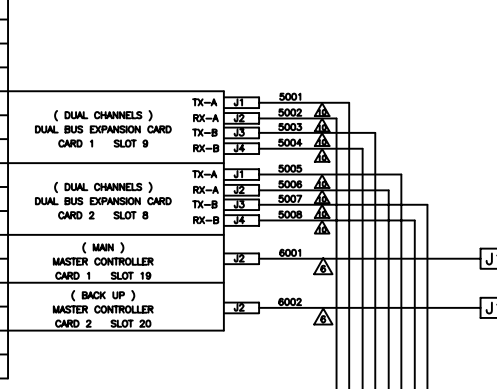
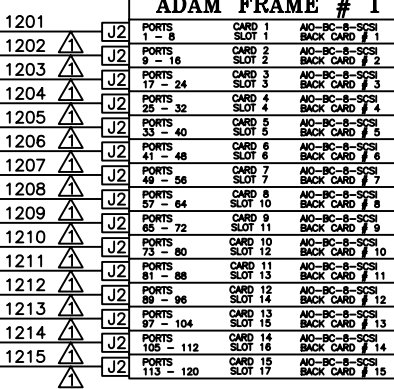
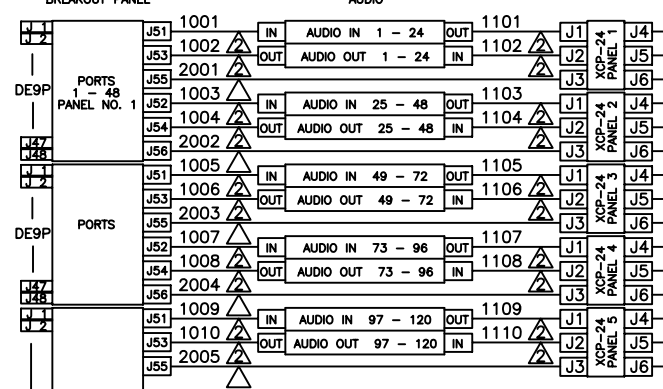
DUAL BUS EXPANDER FULL REDUNDANT AUDIO INTERCONNECTION DIAGRAM

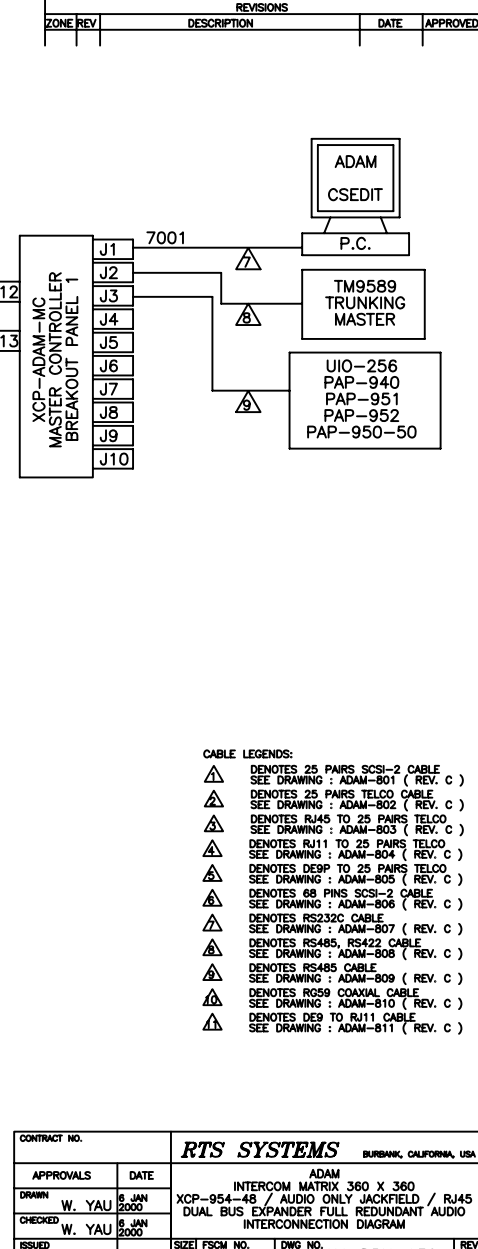
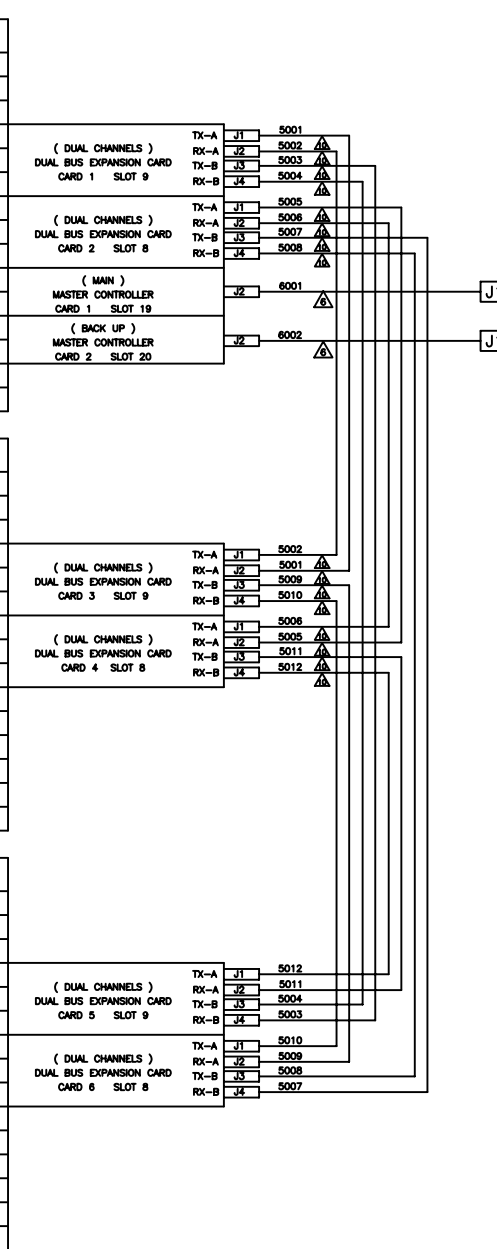
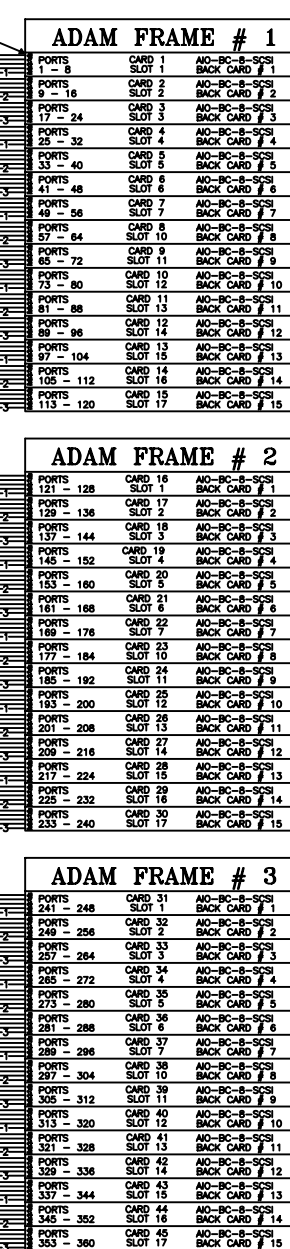
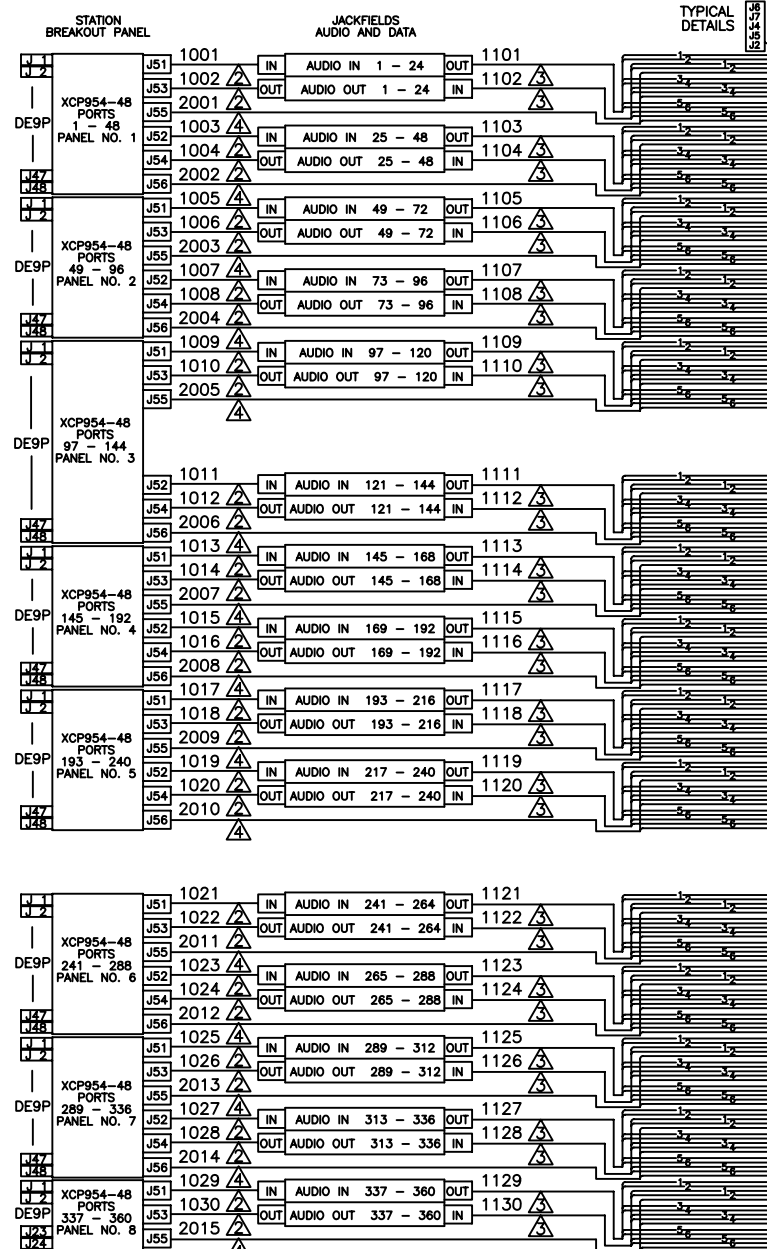
DATE FROM NO.	DWG NO.	REV.
	ADAM-DBX-128	

ADAM-DBX-128A SCALE _____ SHEET _____

RTS SYSTEMS BURBANK, CALIFORNIA, USA

ADAM 360 INTERCOM SYSTEM
 XCP954-48 (9 JAN 2000)
 AUDIO & DATA JACKFIELD / RJ45
 DUAL BUS EXPANDER FULL REDUNDANT AUDIO INTERCONNECTION DIAGRAM



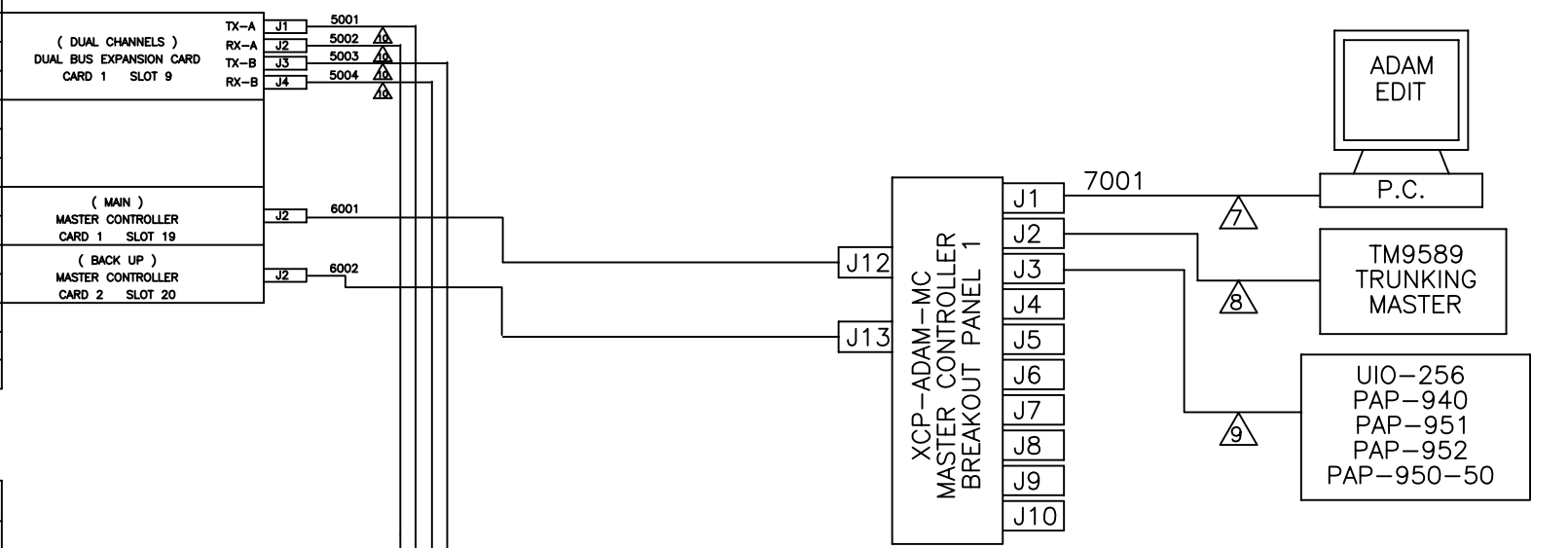
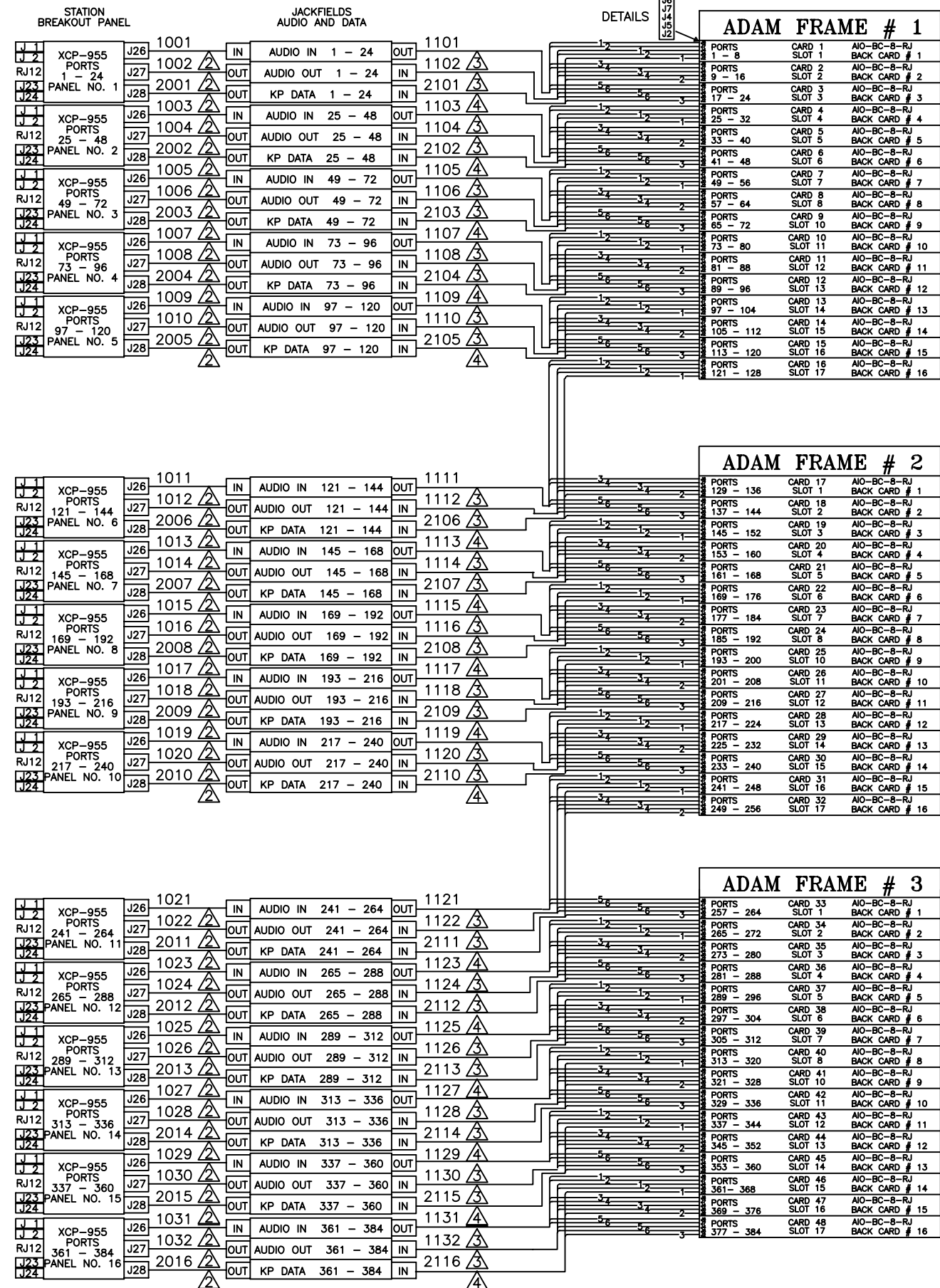


- CABLE LEGENDS:**
- △ DENOTES 25 PAIRS SCSI-2 CABLE SEE DRAWING : ADAM-801 (REV. C)
 - △ DENOTES 25 PAIRS TELCO CABLE SEE DRAWING : ADAM-802 (REV. C)
 - △ DENOTES RJ45 TO 25 PAIRS TELCO SEE DRAWING : ADAM-803 (REV. C)
 - △ DENOTES RJ11 TO 25 PAIRS TELCO SEE DRAWING : ADAM-804 (REV. C)
 - △ DENOTES DE9P TO 25 PAIRS TELCO SEE DRAWING : ADAM-805 (REV. C)
 - △ DENOTES 68 PINS SCSI-2 CABLE SEE DRAWING : ADAM-806 (REV. C)
 - △ DENOTES RS232C CABLE SEE DRAWING : ADAM-807 (REV. C)
 - △ DENOTES RS485, RS422 CABLE SEE DRAWING : ADAM-808 (REV. C)
 - △ DENOTES RS485 CABLE SEE DRAWING : ADAM-809 (REV. C)
 - △ DENOTES RG59 COAXIAL CABLE SEE DRAWING : ADAM-810 (REV. C)
 - △ DENOTES DE9 TO RJ11 CABLE SEE DRAWING : ADAM-811 (REV. C)

CONTRACT NO.		RTS SYSTEMS BURBANK, CALIFORNIA, USA	
APPROVALS	DATE	ADAM INTERCOM MATRIX 360 X 360 XCP-954-48 / AUDIO ONLY JACKFIELD / RJ45 DUAL BUS EXPANDER FULL REDUNDANT AUDIO INTERCONNECTION DIAGRAM	
DRAWN	W. YAU	16 JUN 2000	
CHECKED	W. YAU	16 JUN 2000	
ISSUED	D	FSCM NO.	DWG NO. ADAM-DBX-130
ADAM-DBX-130A		SCALE	SHEET

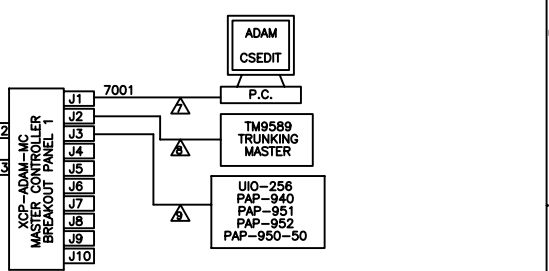
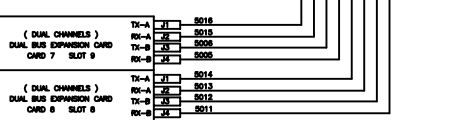
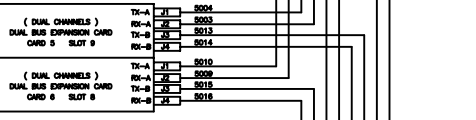
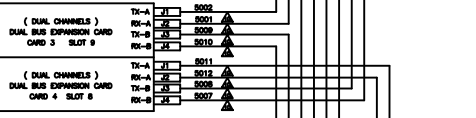
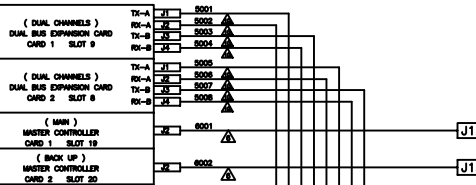
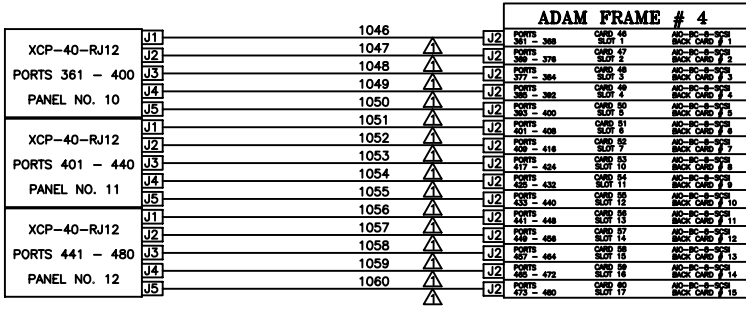
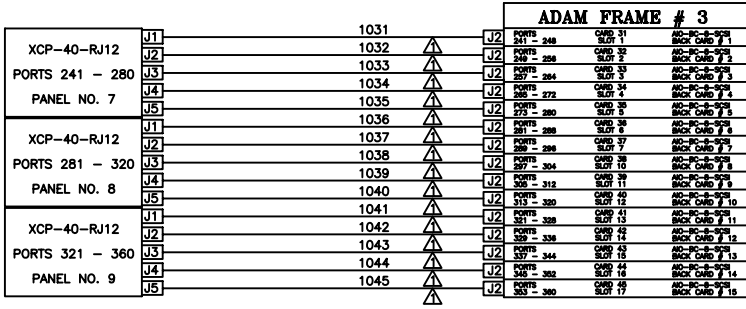
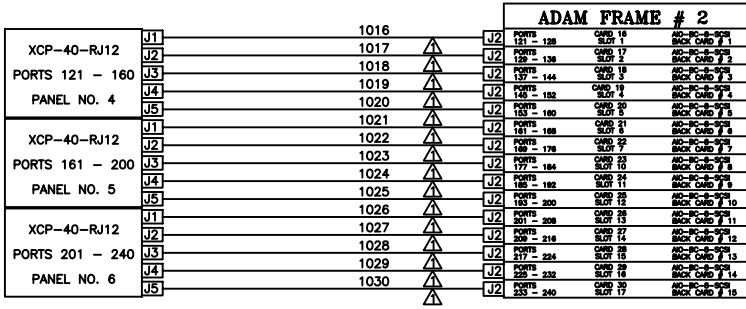
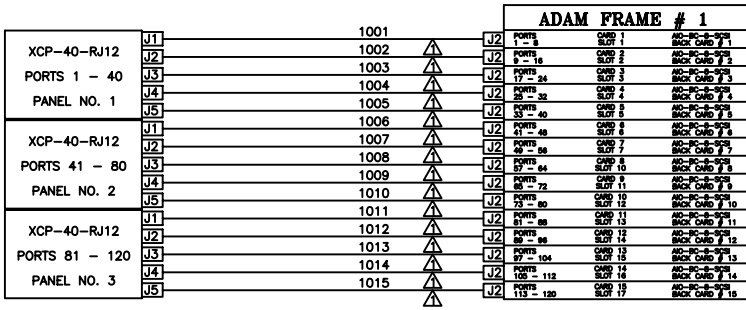
TYPICAL

ZONE REV		REVISIONS	DATE	APPROVED



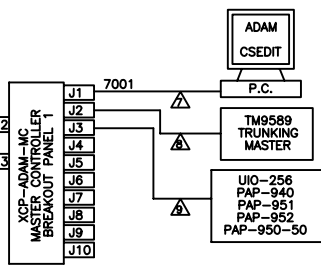
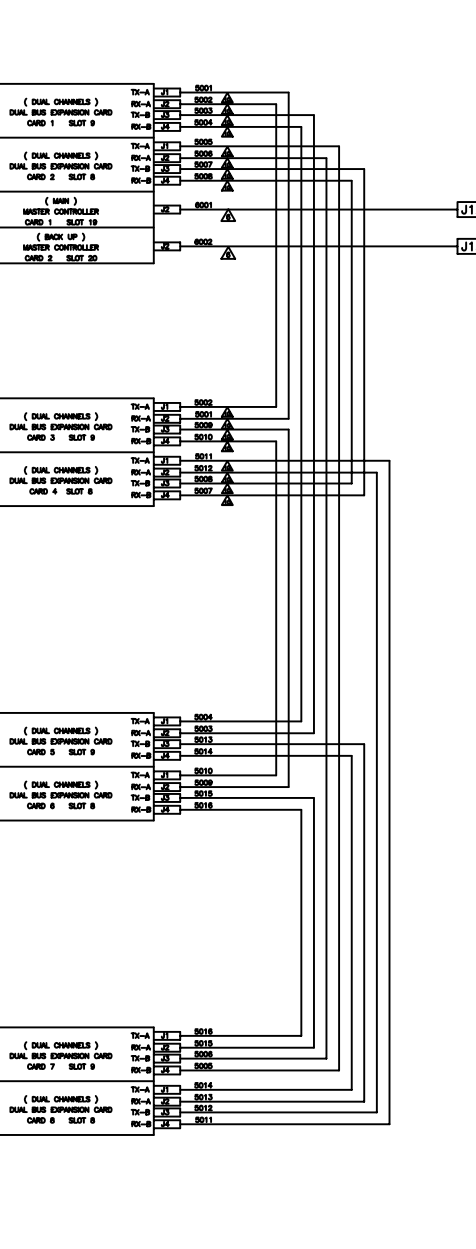
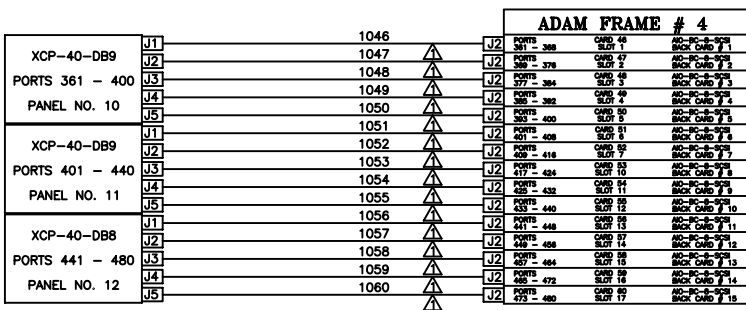
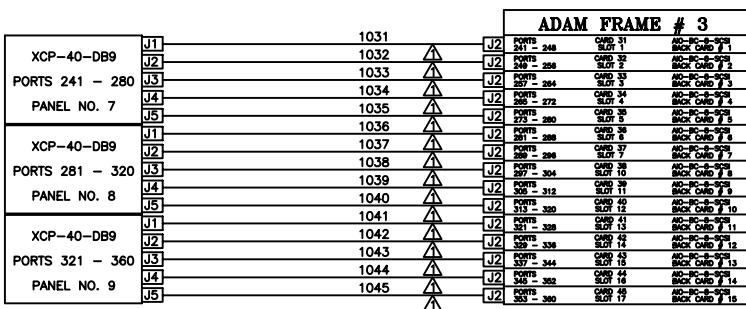
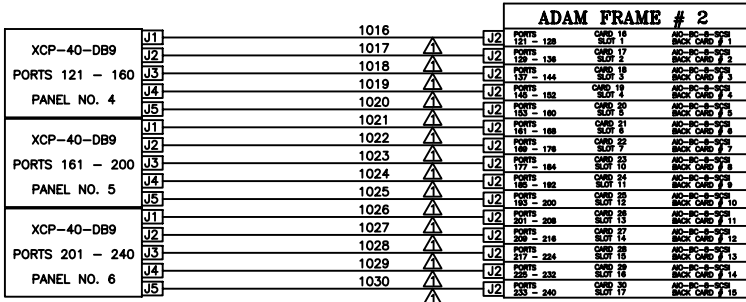
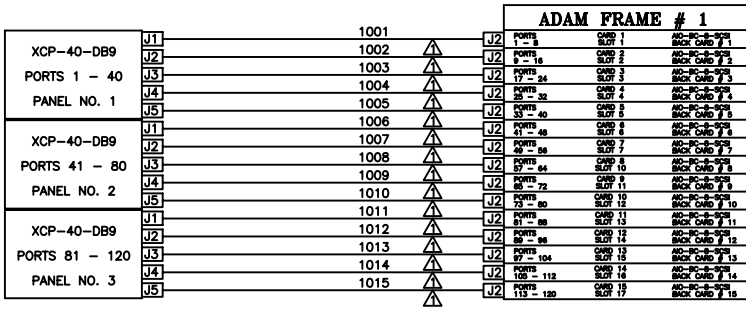
- CABLE LEGENDS:
- △ DENOTES 25 PAIRS SCSI-2 CABLE
SEE DRAWING : ADAM-801 (REV. C)
 - △ DENOTES 25 PAIRS TELCO CABLE
SEE DRAWING : ADAM-802 (REV. C)
 - △ DENOTES RJ45 TO 25 PAIRS TELCO
SEE DRAWING : ADAM-803 (REV. C)
 - △ DENOTES RJ11 TO 25 PAIRS TELCO
SEE DRAWING : ADAM-804 (REV. C)
 - △ DENOTES DE9P TO 25 PAIRS TELCO
SEE DRAWING : ADAM-805 (REV. C)
 - △ DENOTES 68 PINS SCSI-2 CABLE
SEE DRAWING : ADAM-806 (REV. C)
 - △ DENOTES RS232C CABLE
SEE DRAWING : ADAM-807 (REV. C)
 - △ DENOTES RS485, RS422 CABLE
SEE DRAWING : ADAM-808 (REV. C)
 - △ DENOTES RS485 CABLE
SEE DRAWING : ADAM-809 (REV. C)
 - △ DENOTES RG59 COAXIAL CABLE
SEE DRAWING : ADAM-810 (REV. C)
 - △ DENOTES DE9 TO RJ11 CABLE
SEE DRAWING : ADAM-811 (REV. C)

CONTRACT NO.		RTS SYSTEMS BURBANK, CALIFORNIA, USA		
APPROVALS	DATE	ADAM INTERCOM MATRIX 384 X 384		
DRAWN C. Roberts	7 SEPT 2001	XCP-955 / AUDIO & DATA JACKFIELD / RJ45 DUAL BUS EXPANDER INTERCONNECTION DIAGRAM		
CHECKED C. Roberts	7 SEPT 2001	ISSUED	SIZE	REV
ADAM-DBX-130B		SCALE	D	A



- CABLE LEGENDS:
- △ DENOTES 25 PAIRS SCSI-2 CABLE SEE DRAWING: ADAM-801 (REV. C)
 - △ DENOTES 25 PAIRS TELCO CABLE SEE DRAWING: ADAM-802 (REV. C)
 - △ DENOTES RJ45 TO 25 PAIRS TELCO SEE DRAWING: ADAM-803 (REV. C)
 - △ DENOTES RJ11 TO 25 PAIRS TELCO SEE DRAWING: ADAM-804 (REV. C)
 - △ DENOTES DB9P TO 25 PAIRS TELCO SEE DRAWING: ADAM-805 (REV. C)
 - △ DENOTES 68 PINS SCSI-2 CABLE SEE DRAWING: ADAM-806 (REV. C)
 - △ DENOTES RS232C CABLE SEE DRAWING: ADAM-807 (REV. C)
 - △ DENOTES RS485, RS422 CABLE SEE DRAWING: ADAM-808 (REV. C)
 - △ DENOTES RS485 CABLE SEE DRAWING: ADAM-809 (REV. C)
 - △ DENOTES RG59 COAXIAL CABLE SEE DRAWING: ADAM-810 (REV. C)

CONTRACT NO.		RTS SYSTEMS BURBANK, CALIFORNIA, USA	
APPROVALS	DATE	ADAM INTERCOM MATRIX 480 x 480 XCP-40-RJ12 / SCSI DUAL BUS EXPANDER NON REDUNDANT AUDIO INTERCONNECTION DIAGRAM	
DRAWN	W. YAU	6 JAN 2000	
CHECKED	W. YAU	6 JAN 2000	
ISSUED	D	SIZE FSCM NO.	DWG NO. ADAM-DBX-131A
ADAM-DBX-131A		SCALE	SHEET



- CABLE LEGENDS:**
- △ DENOTES 25 PAIRS SCSI-2 CABLE
SEE DRAWING: ADAM-801 (REV. C)
 - △ DENOTES 25 PAIRS TELCO CABLE
SEE DRAWING: ADAM-802 (REV. C)
 - △ DENOTES RJ45 TO 25 PAIRS TELCO
SEE DRAWING: ADAM-803 (REV. C)
 - △ DENOTES RJ11 TO 25 PAIRS TELCO
SEE DRAWING: ADAM-804 (REV. C)
 - △ DENOTES DB9P TO 25 PAIRS TELCO
SEE DRAWING: ADAM-805 (REV. C)
 - △ DENOTES 68 PINS SCSI-2 CABLE
SEE DRAWING: ADAM-806 (REV. C)
 - △ DENOTES RS232C CABLE
SEE DRAWING: ADAM-807 (REV. C)
 - △ DENOTES RS485, RS422 CABLE
SEE DRAWING: ADAM-808 (REV. C)
 - △ DENOTES RS485 CABLE
SEE DRAWING: ADAM-809 (REV. C)
 - △ DENOTES RG59 COAXIAL CABLE
SEE DRAWING: ADAM-810 (REV. C)

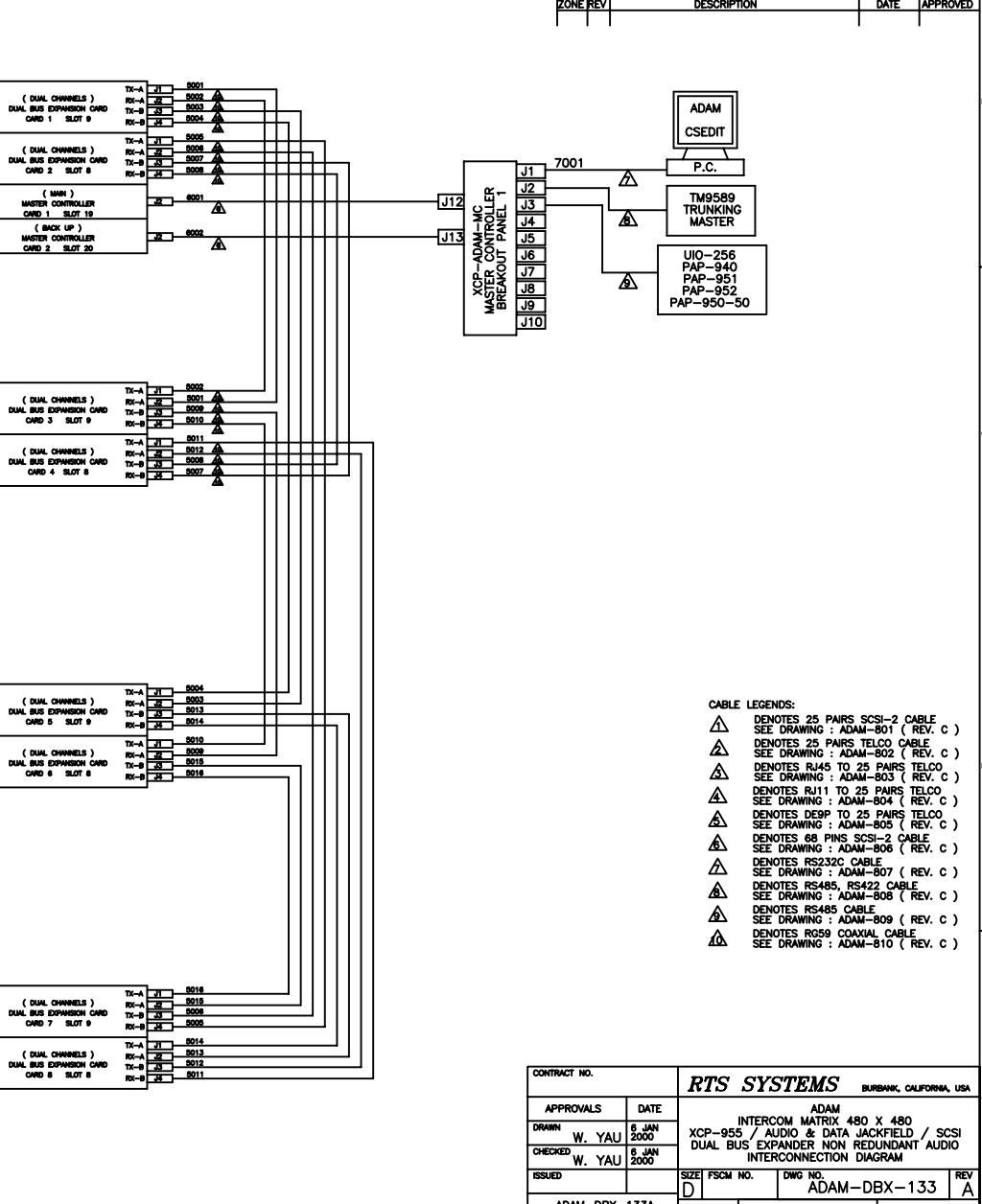
CONTRACT NO.		RTS SYSTEMS		BURBANK, CALIFORNIA, USA	
APPROVALS	DATE	ADAM INTERCOM MATRIX 480 x 480 XCP-40-DB9 / SCSI DUAL BUS EXPANDER NON REDUNDANT AUDIO INTERCONNECTION DIAGRAM			
DRAWN	W. YAU 6 JAN 2000				
CHECKED	W. YAU 6 JAN 2000				
ISSUED					
SIZE	FSCM NO.	DWG NO.	REV		
D		ADAM-DBX-132	A		
ADAM-DBX-132A		SCALE	SHEET		

STATION BREAKOUT PANEL		JACKFIELDS AUDIO AND DATA		ADAM FRAME # 1	
R112	XCP-955 PORTS PANEL NO. 1	J26 1001	IN AUDIO IN 1 - 24	J1 1102	J4 1202
R112	XCP-955 PORTS PANEL NO. 2	J27 1002	OUT AUDIO OUT 1 - 24	J2 1103	J5 1203
R112	XCP-955 PORTS PANEL NO. 3	J28 1003	OUT KP DATA 1 - 24	J3 1104	J6 1204
R112	XCP-955 PORTS PANEL NO. 4	J29 1004	IN AUDIO IN 25 - 48	J4 1105	J7 1205
R112	XCP-955 PORTS PANEL NO. 5	J30 1005	OUT AUDIO OUT 25 - 48	J5 1106	J8 1206
R112	XCP-955 PORTS PANEL NO. 6	J31 1006	OUT KP DATA 25 - 48	J6 1107	J9 1207
R112	XCP-955 PORTS PANEL NO. 7	J32 1007	IN AUDIO IN 49 - 72	J7 1108	J10 1208
R112	XCP-955 PORTS PANEL NO. 8	J33 1008	OUT AUDIO OUT 49 - 72	J8 1109	J11 1209
R112	XCP-955 PORTS PANEL NO. 9	J34 1009	OUT KP DATA 49 - 72	J9 1110	J12 1210
R112	XCP-955 PORTS PANEL NO. 10	J35 1010	IN AUDIO IN 73 - 96	J10 1111	J13 1211
R112	XCP-955 PORTS PANEL NO. 11	J36 1011	OUT AUDIO OUT 73 - 96	J11 1112	J14 1212
R112	XCP-955 PORTS PANEL NO. 12	J37 1012	OUT KP DATA 73 - 96	J12 1113	J15 1213
R112	XCP-955 PORTS PANEL NO. 13	J38 1013	IN AUDIO IN 97 - 120	J13 1114	J16 1214
R112	XCP-955 PORTS PANEL NO. 14	J39 1014	OUT AUDIO OUT 97 - 120	J14 1115	J17 1215
R112	XCP-955 PORTS PANEL NO. 15	J40 1015	OUT KP DATA 97 - 120	J15 1116	J18 1216

STATION BREAKOUT PANEL		JACKFIELDS AUDIO AND DATA		ADAM FRAME # 2	
R112	XCP-955 PORTS PANEL NO. 16	J26 1011	IN AUDIO IN 121 - 144	J1 1112	J4 1216
R112	XCP-955 PORTS PANEL NO. 17	J27 1012	OUT AUDIO OUT 121 - 144	J2 1113	J5 1217
R112	XCP-955 PORTS PANEL NO. 18	J28 1013	OUT KP DATA 121 - 144	J3 1114	J6 1218
R112	XCP-955 PORTS PANEL NO. 19	J29 1014	IN AUDIO IN 145 - 168	J4 1115	J7 1219
R112	XCP-955 PORTS PANEL NO. 20	J30 1015	OUT AUDIO OUT 145 - 168	J5 1116	J8 1220
R112	XCP-955 PORTS PANEL NO. 21	J31 1016	OUT KP DATA 145 - 168	J6 1117	J9 1221
R112	XCP-955 PORTS PANEL NO. 22	J32 1017	IN AUDIO IN 169 - 192	J7 1118	J10 1222
R112	XCP-955 PORTS PANEL NO. 23	J33 1018	OUT AUDIO OUT 169 - 192	J8 1119	J11 1223
R112	XCP-955 PORTS PANEL NO. 24	J34 1019	OUT KP DATA 169 - 192	J9 1120	J12 1224
R112	XCP-955 PORTS PANEL NO. 25	J35 1020	IN AUDIO IN 193 - 216	J10 1121	J13 1225
R112	XCP-955 PORTS PANEL NO. 26	J36 1021	OUT AUDIO OUT 193 - 216	J11 1122	J14 1226
R112	XCP-955 PORTS PANEL NO. 27	J37 1022	OUT KP DATA 193 - 216	J12 1123	J15 1227
R112	XCP-955 PORTS PANEL NO. 28	J38 1023	IN AUDIO IN 217 - 240	J13 1124	J16 1228
R112	XCP-955 PORTS PANEL NO. 29	J39 1024	OUT AUDIO OUT 217 - 240	J14 1125	J17 1229
R112	XCP-955 PORTS PANEL NO. 30	J40 1025	OUT KP DATA 217 - 240	J15 1126	J18 1230

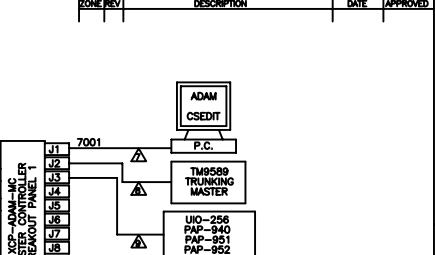
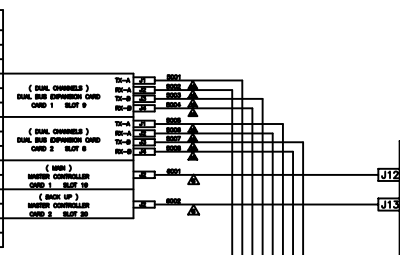
STATION BREAKOUT PANEL		JACKFIELDS AUDIO AND DATA		ADAM FRAME # 3	
R112	XCP-955 PORTS PANEL NO. 31	J26 1021	IN AUDIO IN 241 - 264	J1 1122	J4 1231
R112	XCP-955 PORTS PANEL NO. 32	J27 1022	OUT AUDIO OUT 241 - 264	J2 1123	J5 1232
R112	XCP-955 PORTS PANEL NO. 33	J28 1023	OUT KP DATA 241 - 264	J3 1124	J6 1233
R112	XCP-955 PORTS PANEL NO. 34	J29 1024	IN AUDIO IN 265 - 288	J4 1125	J7 1234
R112	XCP-955 PORTS PANEL NO. 35	J30 1025	OUT AUDIO OUT 265 - 288	J5 1126	J8 1235
R112	XCP-955 PORTS PANEL NO. 36	J31 1026	OUT KP DATA 265 - 288	J6 1127	J9 1236
R112	XCP-955 PORTS PANEL NO. 37	J32 1027	IN AUDIO IN 289 - 312	J7 1128	J10 1237
R112	XCP-955 PORTS PANEL NO. 38	J33 1028	OUT AUDIO OUT 289 - 312	J8 1129	J11 1238
R112	XCP-955 PORTS PANEL NO. 39	J34 1029	OUT KP DATA 289 - 312	J9 1130	J12 1239
R112	XCP-955 PORTS PANEL NO. 40	J35 1030	IN AUDIO IN 313 - 336	J10 1131	J13 1240
R112	XCP-955 PORTS PANEL NO. 41	J36 1031	OUT AUDIO OUT 313 - 336	J11 1132	J14 1241
R112	XCP-955 PORTS PANEL NO. 42	J37 1032	OUT KP DATA 313 - 336	J12 1133	J15 1242
R112	XCP-955 PORTS PANEL NO. 43	J38 1033	IN AUDIO IN 337 - 360	J13 1134	J16 1243
R112	XCP-955 PORTS PANEL NO. 44	J39 1034	OUT AUDIO OUT 337 - 360	J14 1135	J17 1244
R112	XCP-955 PORTS PANEL NO. 45	J40 1035	OUT KP DATA 337 - 360	J15 1136	J18 1245

STATION BREAKOUT PANEL		JACKFIELDS AUDIO AND DATA		ADAM FRAME # 4	
R112	XCP-955 PORTS PANEL NO. 46	J26 1031	IN AUDIO IN 361 - 384	J1 1131	J4 1246
R112	XCP-955 PORTS PANEL NO. 47	J27 1032	OUT AUDIO OUT 361 - 384	J2 1132	J5 1247
R112	XCP-955 PORTS PANEL NO. 48	J28 1033	OUT KP DATA 361 - 384	J3 1133	J6 1248
R112	XCP-955 PORTS PANEL NO. 49	J29 1034	IN AUDIO IN 385 - 408	J4 1134	J7 1249
R112	XCP-955 PORTS PANEL NO. 50	J30 1035	OUT AUDIO OUT 385 - 408	J5 1135	J8 1250
R112	XCP-955 PORTS PANEL NO. 51	J31 1036	OUT KP DATA 385 - 408	J6 1136	J9 1251
R112	XCP-955 PORTS PANEL NO. 52	J32 1037	IN AUDIO IN 409 - 432	J7 1137	J10 1252
R112	XCP-955 PORTS PANEL NO. 53	J33 1038	OUT AUDIO OUT 409 - 432	J8 1138	J11 1253
R112	XCP-955 PORTS PANEL NO. 54	J34 1039	OUT KP DATA 409 - 432	J9 1139	J12 1254
R112	XCP-955 PORTS PANEL NO. 55	J35 1040	IN AUDIO IN 433 - 456	J10 1140	J13 1255
R112	XCP-955 PORTS PANEL NO. 56	J36 1041	OUT AUDIO OUT 433 - 456	J11 1141	J14 1256
R112	XCP-955 PORTS PANEL NO. 57	J37 1042	OUT KP DATA 433 - 456	J12 1142	J15 1257
R112	XCP-955 PORTS PANEL NO. 58	J38 1043	IN AUDIO IN 457 - 480	J13 1143	J16 1258
R112	XCP-955 PORTS PANEL NO. 59	J39 1044	OUT AUDIO OUT 457 - 480	J14 1144	J17 1259
R112	XCP-955 PORTS PANEL NO. 60	J40 1045	OUT KP DATA 457 - 480	J15 1145	J18 1260



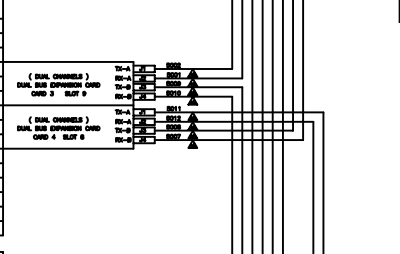
GROUP	ADAMFIELD	TYPICAL
BREAKOUT PANEL	AUDIO AND DATA	DETAILS
1001	IN AUDIO IN 1 - 24	1101
1002	OUT AUDIO OUT 1 - 24	1102
2001	IN HP DATA 1 - 24	2101
2002	OUT HP DATA 1 - 24	2102
1003	IN AUDIO IN 25 - 48	1103
1004	OUT AUDIO OUT 25 - 48	1104
2003	IN HP DATA 25 - 48	2103
2004	OUT HP DATA 25 - 48	2104
1005	IN AUDIO IN 49 - 72	1105
1006	OUT AUDIO OUT 49 - 72	1106
2005	IN HP DATA 49 - 72	2105
2006	OUT HP DATA 49 - 72	2106
1007	IN AUDIO IN 73 - 96	1107
1008	OUT AUDIO OUT 73 - 96	1108
2007	IN HP DATA 73 - 96	2107
2008	OUT HP DATA 73 - 96	2108
1009	IN AUDIO IN 97 - 120	1109
1010	OUT AUDIO OUT 97 - 120	1110
2009	IN HP DATA 97 - 120	2109
2010	OUT HP DATA 97 - 120	2105

ADAM FRAME # 1
101 - 24
201 - 24
101 - 48
201 - 48
101 - 72
201 - 72
101 - 96
201 - 96
101 - 120
201 - 120



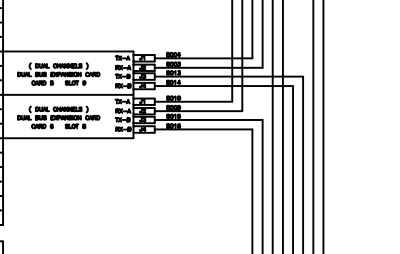
GROUP	ADAMFIELD	TYPICAL
BREAKOUT PANEL	AUDIO AND DATA	DETAILS
1011	IN AUDIO IN 121 - 144	1111
1012	OUT AUDIO OUT 121 - 144	1112
2006	IN HP DATA 121 - 144	2106
2007	OUT HP DATA 121 - 144	2107
1013	IN AUDIO IN 145 - 168	1113
1014	OUT AUDIO OUT 145 - 168	1114
2007	IN HP DATA 145 - 168	2107
2008	OUT HP DATA 145 - 168	2108
1015	IN AUDIO IN 169 - 192	1115
1016	OUT AUDIO OUT 169 - 192	1116
2008	IN HP DATA 169 - 192	2108
2009	OUT HP DATA 169 - 192	2109
1017	IN AUDIO IN 193 - 216	1117
1018	OUT AUDIO OUT 193 - 216	1118
2009	IN HP DATA 193 - 216	2109
2010	OUT HP DATA 193 - 216	2110
1019	IN AUDIO IN 217 - 240	1119
1020	OUT AUDIO OUT 217 - 240	1120
2010	IN HP DATA 217 - 240	2110
2011	OUT HP DATA 217 - 240	2110

ADAM FRAME # 2
101 - 144
201 - 144
101 - 168
201 - 168
101 - 192
201 - 192
101 - 216
201 - 216
101 - 240
201 - 240



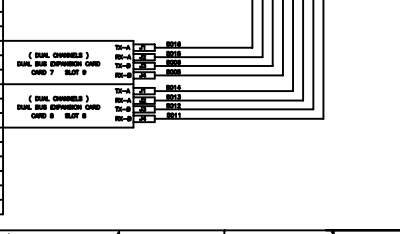
GROUP	ADAMFIELD	TYPICAL
BREAKOUT PANEL	AUDIO AND DATA	DETAILS
1021	IN AUDIO IN 241 - 264	1121
1022	OUT AUDIO OUT 241 - 264	1122
2011	IN HP DATA 241 - 264	2111
2012	OUT HP DATA 241 - 264	2112
1023	IN AUDIO IN 265 - 288	1123
1024	OUT AUDIO OUT 265 - 288	1124
2012	IN HP DATA 265 - 288	2112
2013	OUT HP DATA 265 - 288	2113
1025	IN AUDIO IN 289 - 312	1125
1026	OUT AUDIO OUT 289 - 312	1126
2013	IN HP DATA 289 - 312	2113
2014	OUT HP DATA 289 - 312	2113
1027	IN AUDIO IN 313 - 336	1127
1028	OUT AUDIO OUT 313 - 336	1128
2014	IN HP DATA 313 - 336	2114
2015	OUT HP DATA 313 - 336	2115
1029	IN AUDIO IN 337 - 360	1129
1030	OUT AUDIO OUT 337 - 360	1130
2015	IN HP DATA 337 - 360	2115
2016	OUT HP DATA 337 - 360	2115

ADAM FRAME # 3
101 - 264
201 - 264
101 - 288
201 - 288
101 - 312
201 - 312
101 - 336
201 - 336
101 - 360
201 - 360



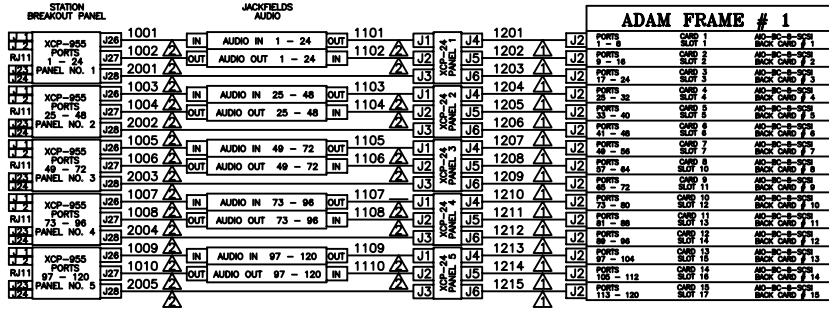
GROUP	ADAMFIELD	TYPICAL
BREAKOUT PANEL	AUDIO AND DATA	DETAILS
1031	IN AUDIO IN 361 - 384	1131
1032	OUT AUDIO OUT 361 - 384	1132
2016	IN HP DATA 361 - 384	2116
2017	OUT HP DATA 361 - 384	2117
1033	IN AUDIO IN 385 - 408	1133
1034	OUT AUDIO OUT 385 - 408	1134
2017	IN HP DATA 385 - 408	2117
2018	OUT HP DATA 385 - 408	2118
1035	IN AUDIO IN 409 - 432	1135
1036	OUT AUDIO OUT 409 - 432	1136
2018	IN HP DATA 409 - 432	2118
2019	OUT HP DATA 409 - 432	2119
1037	IN AUDIO IN 433 - 456	1137
1038	OUT AUDIO OUT 433 - 456	1138
2019	IN HP DATA 433 - 456	2119
2020	OUT HP DATA 433 - 456	2120
1039	IN AUDIO IN 457 - 480	1139
1040	OUT AUDIO OUT 457 - 480	1140
2020	IN HP DATA 457 - 480	2120
2021	OUT HP DATA 457 - 480	2120

ADAM FRAME # 4
101 - 384
201 - 384
101 - 408
201 - 408
101 - 432
201 - 432
101 - 456
201 - 456
101 - 480
201 - 480

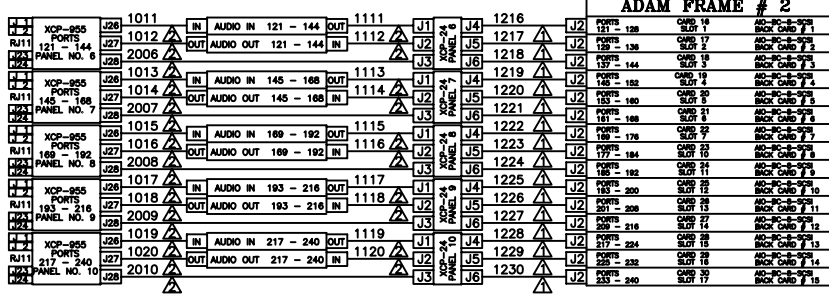
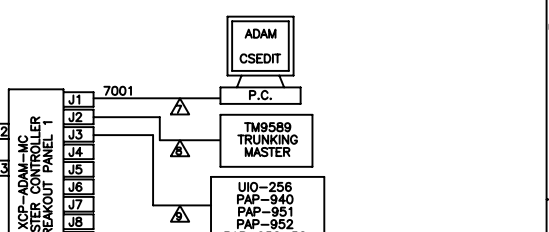
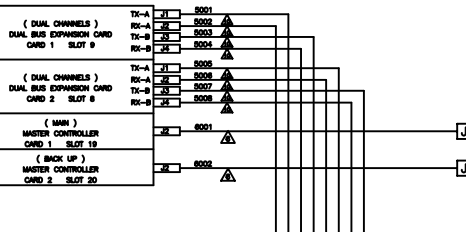
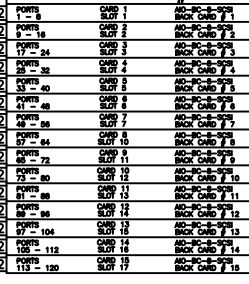


- CABLE LEGENDS:**
- △ DENOTES 25 PAIRS SCSI-2 CABLE
SEE DRAWING: ADAM-901 (REV. C)
 - △ DENOTES 25 PAIRS TELCO CABLE
SEE DRAWING: ADAM-902 (REV. C)
 - △ DENOTES RING TO 25 PAIRS TELCO
SEE DRAWING: ADAM-903 (REV. C)
 - △ DENOTES RLL11 TO 25 PAIRS TELCO
SEE DRAWING: ADAM-904 (REV. C)
 - △ DENOTES 66 PAIRS SCSI-2 CABLE
SEE DRAWING: ADAM-905 (REV. C)
 - △ DENOTES 66 PAIRS SCSI-2 CABLE
SEE DRAWING: ADAM-906 (REV. C)
 - △ DENOTES RS232C CABLE
SEE DRAWING: ADAM-907 (REV. C)
 - △ DENOTES RS485 RS422 CABLE
SEE DRAWING: ADAM-908 (REV. C)
 - △ DENOTES RS485 CABLE
SEE DRAWING: ADAM-909 (REV. C)
 - △ DENOTES RS239 COAXIAL CABLE
SEE DRAWING: ADAM-910 (REV. C)
 - △ DENOTES DB9 TO RLL1 CABLE
SEE DRAWING: ADAM-911 (REV. C)

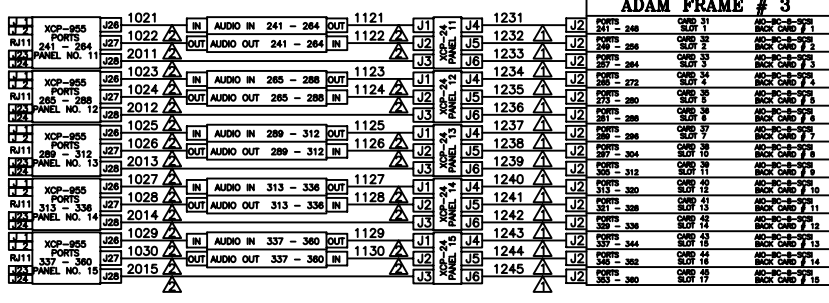
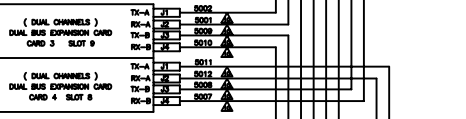
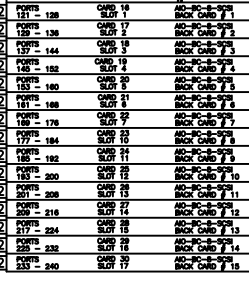
CONTRACT NO.		RTS SYSTEMS		BURNING, CALIFORNIA, USA	
APPROVALS	DATE	INTERCOM ADAM			
DRAWN	8 JUN 2000	XCP-955 / AUDIO & DATA UNFIELD / RJ45			
CHECKED	W. YAU	DUAL BUS EXPANDER NON REDUNDANT AUDIO			
ISSUED	8 JUN 2000	INTERCONNECTION DIAGRAM			
SHEET	FRSM NO.	DWG NO.	ADAM-DBX-134	REV	
ADAM-DBX-134A	SCALE	SHEET			



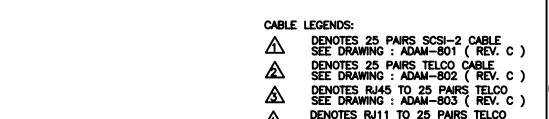
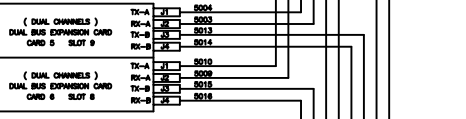
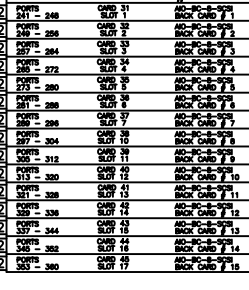
ADAM FRAME # 1



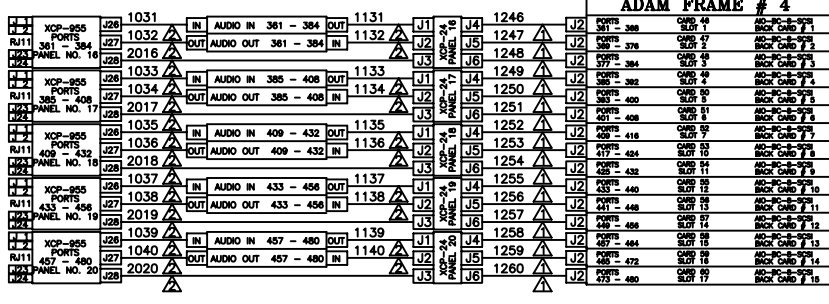
ADAM FRAME # 2



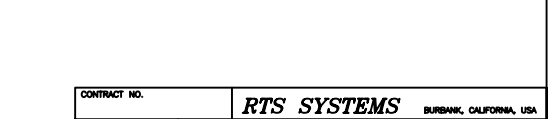
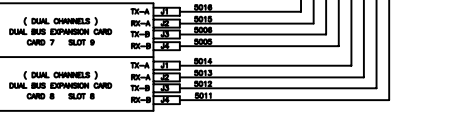
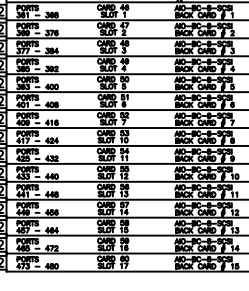
ADAM FRAME # 3



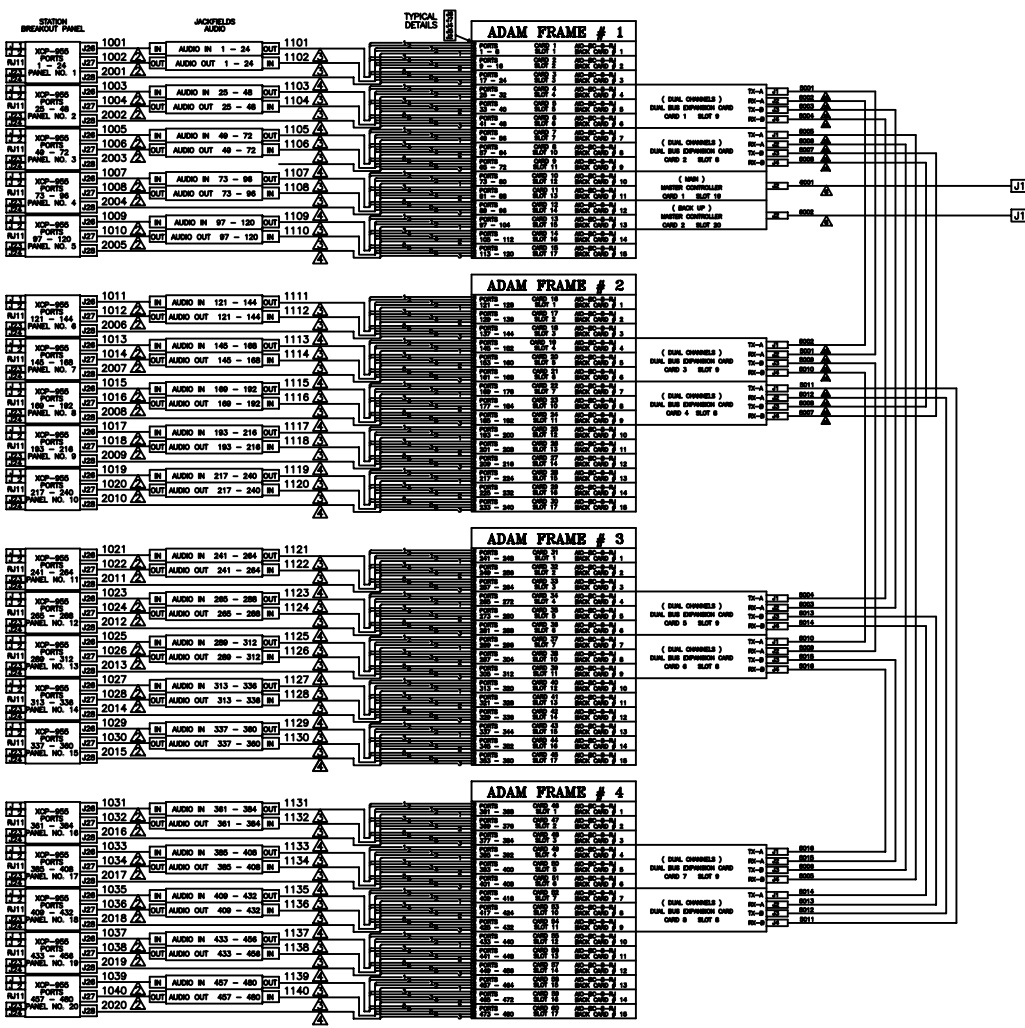
- CABLE LEGENDS:**
- △ DENOTES 25 PAIRS SCSI-2 CABLE
SEE DRAWING : ADAM-801 (REV. C)
 - △ DENOTES 25 PAIRS TELCO CABLE
SEE DRAWING : ADAM-802 (REV. C)
 - △ DENOTES RJ45 TO 25 PAIRS TELCO
SEE DRAWING : ADAM-803 (REV. C)
 - △ DENOTES RJ11 TO 25 PAIRS TELCO
SEE DRAWING : ADAM-804 (REV. C)
 - △ DENOTES DESP TO 25 PAIRS TELCO
SEE DRAWING : ADAM-805 (REV. C)
 - △ DENOTES 68 PINS SCSI-2 CABLE
SEE DRAWING : ADAM-806 (REV. C)
 - △ DENOTES RS232C CABLE
SEE DRAWING : ADAM-807 (REV. C)
 - △ DENOTES RS485, RS422 CABLE
SEE DRAWING : ADAM-808 (REV. C)
 - △ DENOTES RS485 CABLE
SEE DRAWING : ADAM-809 (REV. C)
 - △ DENOTES RG59 COAXIAL CABLE
SEE DRAWING : ADAM-810 (REV. C)



ADAM FRAME # 4



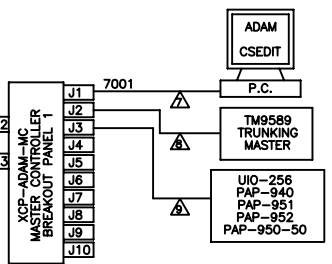
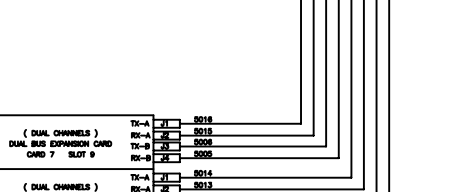
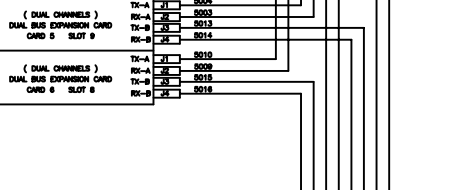
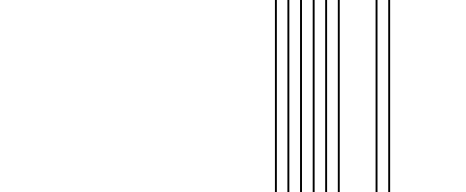
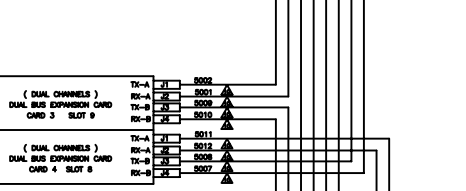
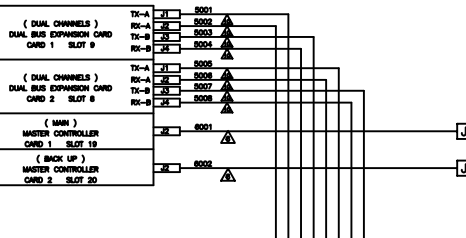
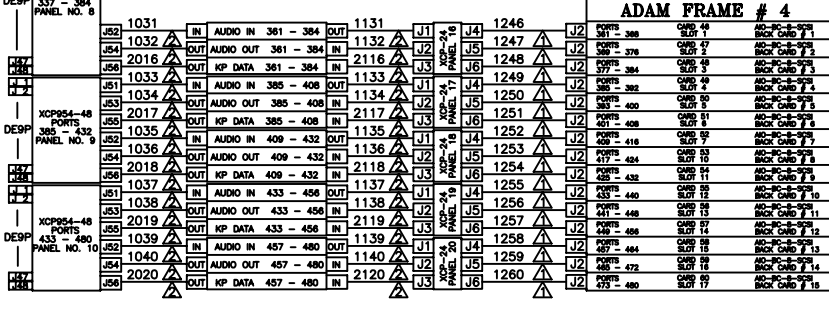
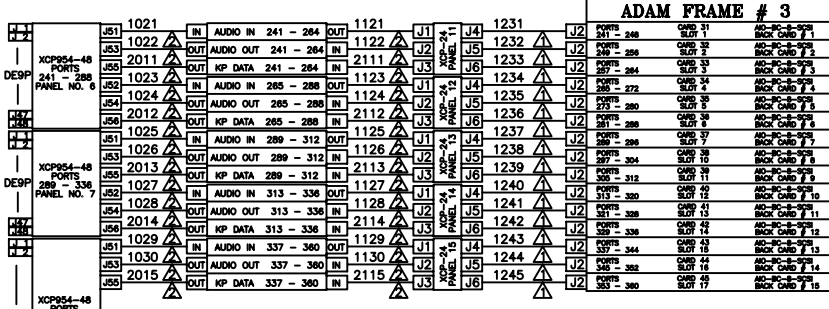
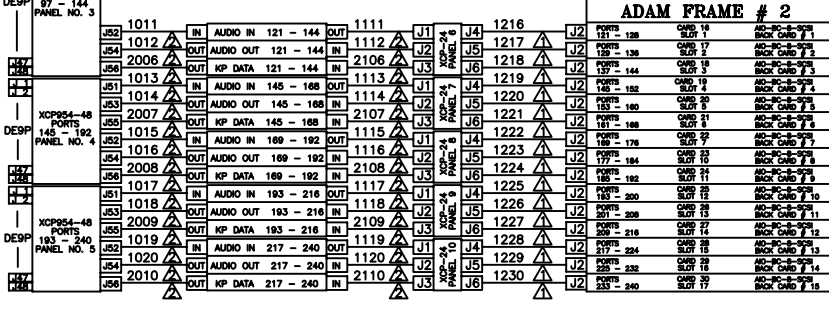
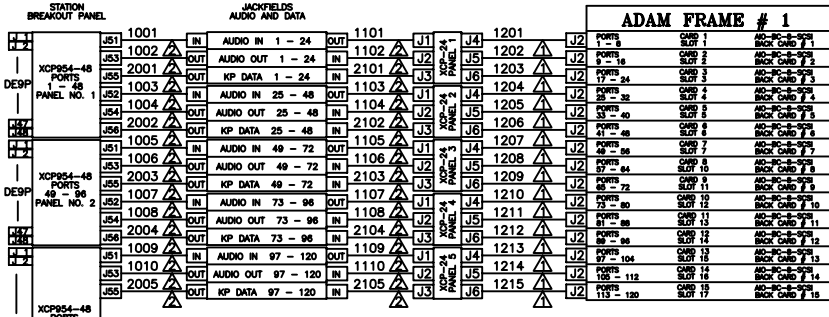
CONTRACT NO.		RTS SYSTEMS BURLINGAME, CALIFORNIA, USA	
APPROVALS	DATE	ADAM INTERCOM MATRIX 480 X 480	
DRAWN	W. YAU	XCP-955 / AUDIO ONLY JACKFIELD / SCSI	
CHECKED	W. YAU	DUAL BUS EXPANDER NON REDUNDANT AUDIO	
ISSUED		INTERCONNECTION DIAGRAM	
ADAM-DBX-135A	SCALE	DWG NO.	REV
		ADAM-DBX-135	A



REVISIONS			
ZONE/REV	DESCRIPTION	DATE	APPROVED

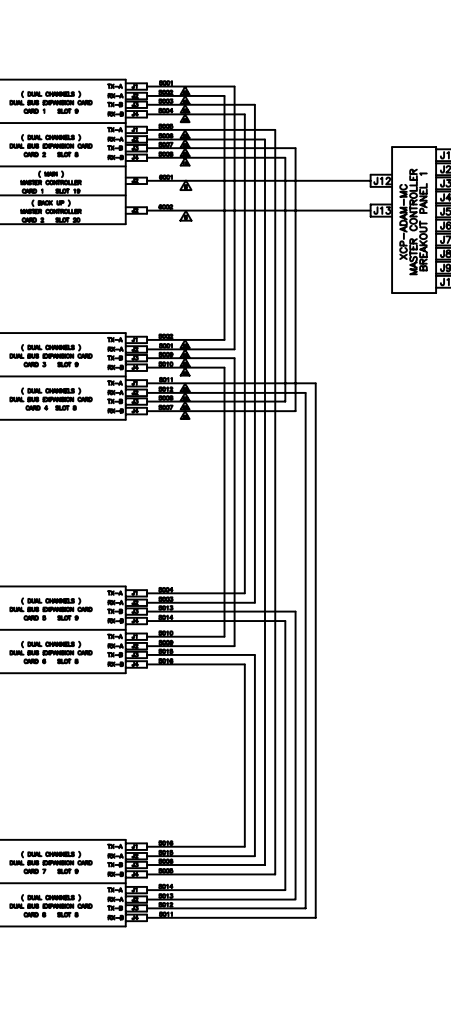
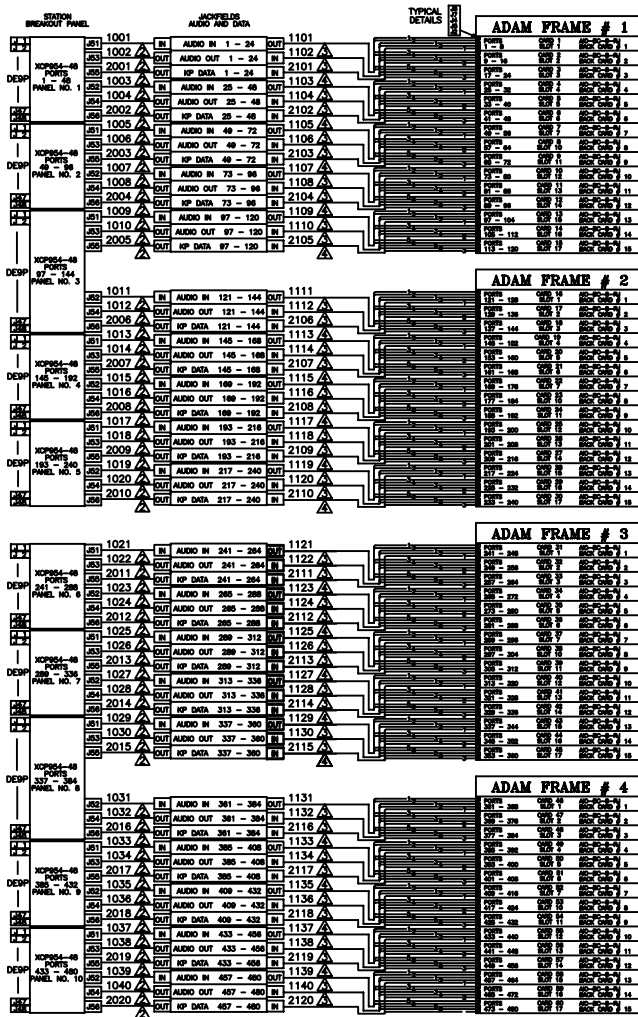
- CABLE LEGENDS:**
- △ DENOTES 25 PAIRS SC52-2 CABLE
SEE DRAWING: ADAM-501 (REV. C)
 - △ DENOTES 25 PAIRS TELCO CABLE
SEE DRAWING: ADAM-502 (REV. C)
 - △ DENOTES RJ45 TO 25 PAIRS TELCO
SEE DRAWING: ADAM-503 (REV. C)
 - △ DENOTES RJ11 TO 25 PAIRS TELCO
SEE DRAWING: ADAM-504 (REV. C)
 - △ DENOTES DESP TO 25 PAIRS TELCO
SEE DRAWING: ADAM-505 (REV. C)
 - △ DENOTES 66 PINS SC53-2 CABLE
SEE DRAWING: ADAM-506 (REV. C)
 - △ DENOTES RS485 RS422 CABLE
SEE DRAWING: ADAM-507 (REV. C)
 - △ DENOTES RS485 RS422 CABLE
SEE DRAWING: ADAM-508 (REV. C)
 - △ DENOTES RS485 CABLE
SEE DRAWING: ADAM-509 (REV. C)
 - △ DENOTES RG59 COAXIAL CABLE
SEE DRAWING: ADAM-510 (REV. C)
 - △ DENOTES DB9 TO RJ11 CABLE
SEE DRAWING: ADAM-511 (REV. C)

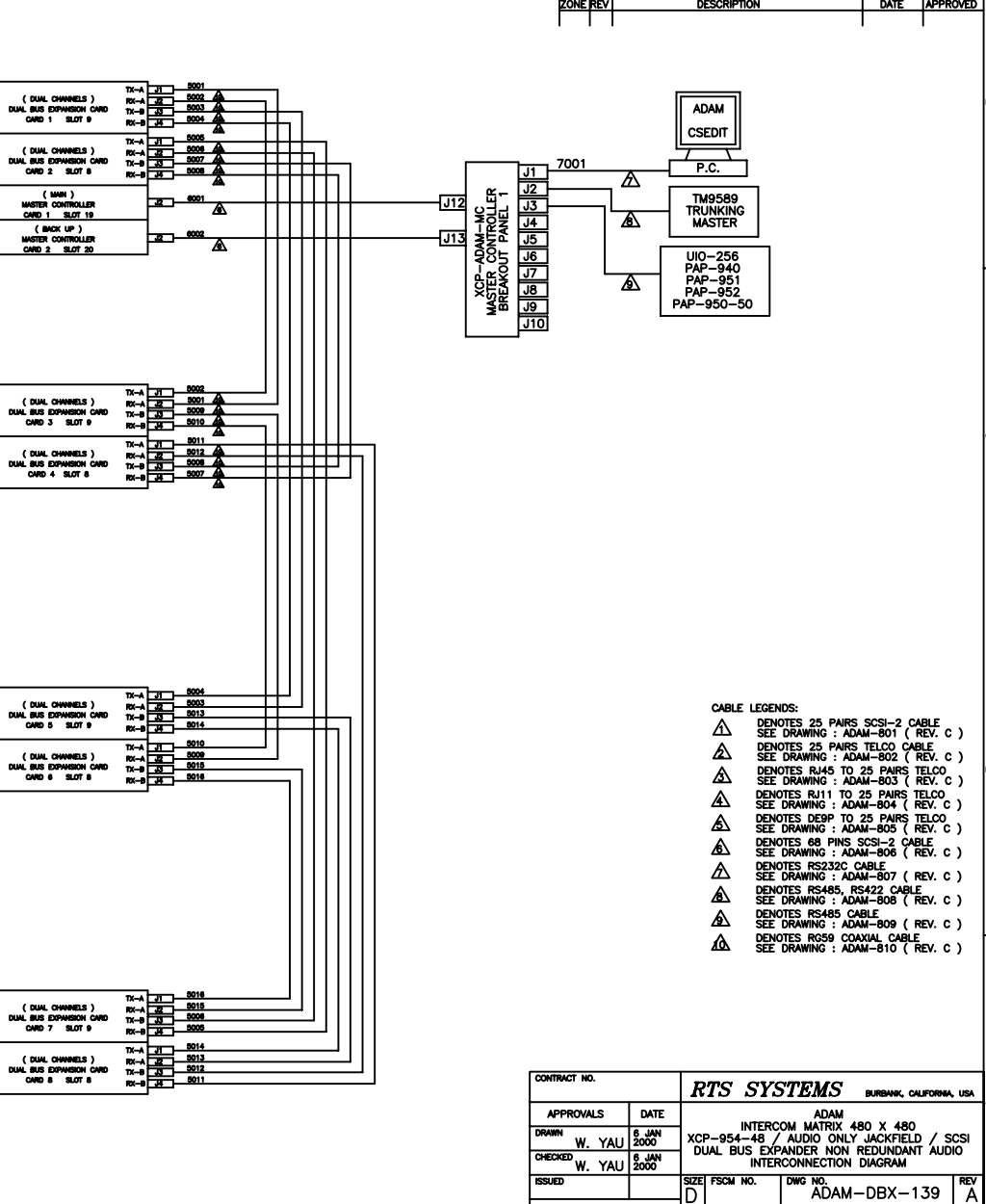
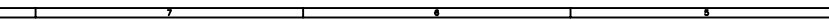
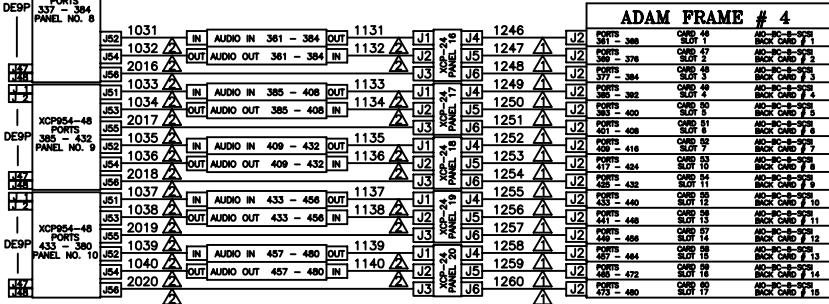
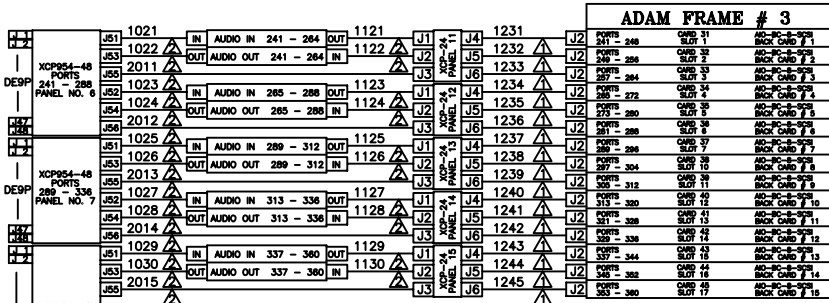
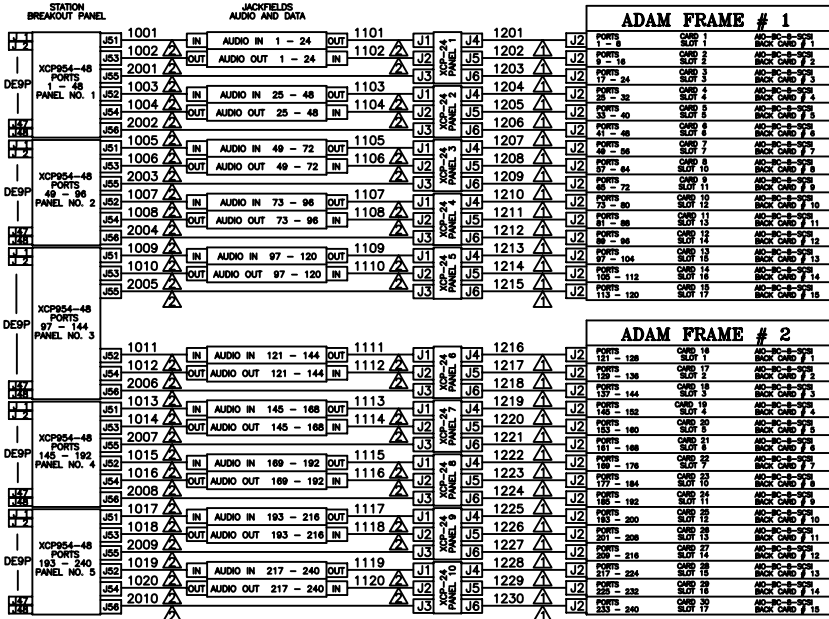
CONTRACT NO.		RTS SYSTEMS		BURBANK, CALIFORNIA, USA
APPROVALS	DATE	ADAM INTERCOM MATRIX 480 X 480		
DRAWN	W. YAU	6 JUN 2000	XCP-025 / AUDIO ONLY JACKFIELD / RJ45	
CHECKED	W. YAU	6 JUN 2000	DUAL BUS EXPANDER NON REDUNDANT AUDIO	
ISSUED			INTERCONNECTION DIAGRAM	
	SIZE FSCM NO.	DWG NO.	ADAM-DBX-136	REV
	D			A
	ADAM-DBX-136A	SCALE		SHEET

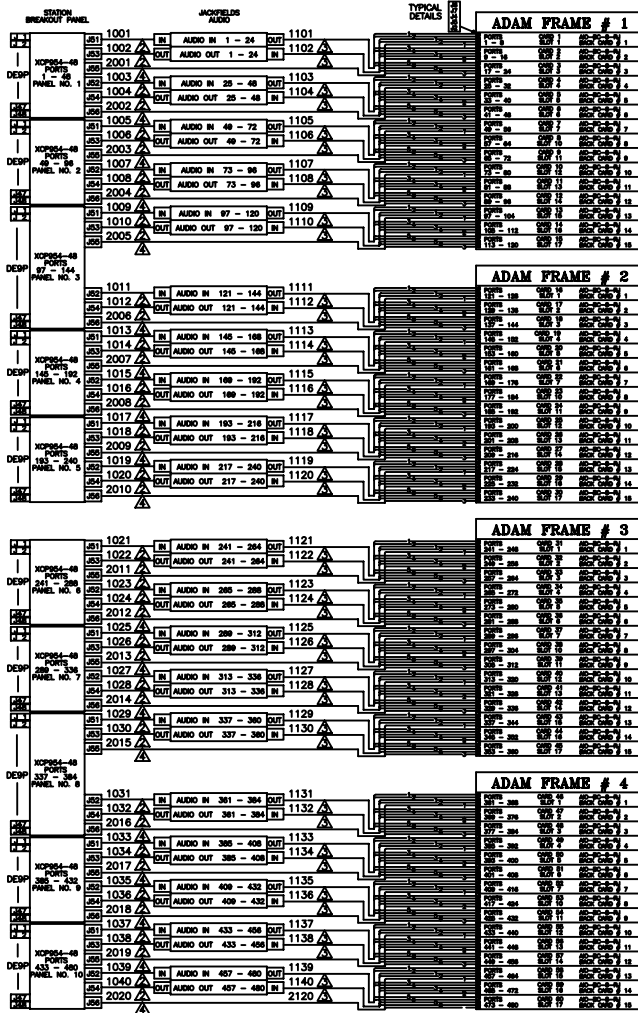


- CABLE LEGENDS:**
- △ DENOTES 25 PAIRS SCSI-2 CABLE SEE DRAWING : ADAM-801 (REV. C)
 - △ DENOTES 25 PAIRS TELCO CABLE SEE DRAWING : ADAM-802 (REV. C)
 - △ DENOTES RJ45 TO 25 PAIRS TELCO SEE DRAWING : ADAM-803 (REV. C)
 - △ DENOTES RJ11 TO 25 PAIRS TELCO SEE DRAWING : ADAM-804 (REV. C)
 - △ DENOTES DESP TO 25 PAIRS TELCO SEE DRAWING : ADAM-805 (REV. C)
 - △ DENOTES 68 PINS SCSI-2 CABLE SEE DRAWING : ADAM-806 (REV. C)
 - △ DENOTES RS232C CABLE SEE DRAWING : ADAM-807 (REV. C)
 - △ DENOTES RS485, RS422 CABLE SEE DRAWING : ADAM-808 (REV. C)
 - △ DENOTES RS485 CABLE SEE DRAWING : ADAM-809 (REV. C)
 - △ DENOTES RG59 COAXIAL CABLE SEE DRAWING : ADAM-810 (REV. C)

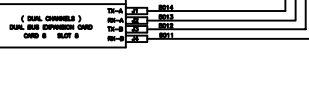
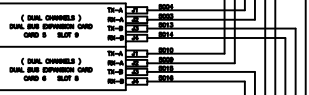
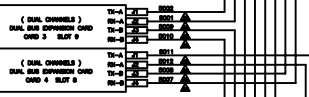
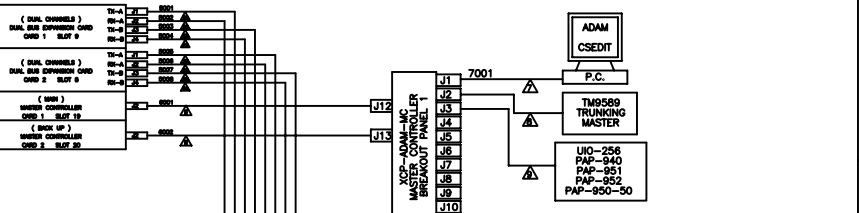
CONTRACT NO.		RTS SYSTEMS BURBANK, CALIFORNIA, USA	
APPROVALS	DATE	ADAM INTERCOM MATRIX 480 X 480 KCP-954-48 / AUDIO & DATA JACKFIELD / SCSI DUAL BUS EXPANDER NON REDUNDANT AUDIO INTERCONNECTION DIAGRAM	
DRAWN	W. YAU	5 JAN 2000	
CHECKED	W. YAU	6 JAN 2000	
ISSUED			
ADAM-DBX-137A	SCALE	DWG NO. ADAM-DBX-137	REV A





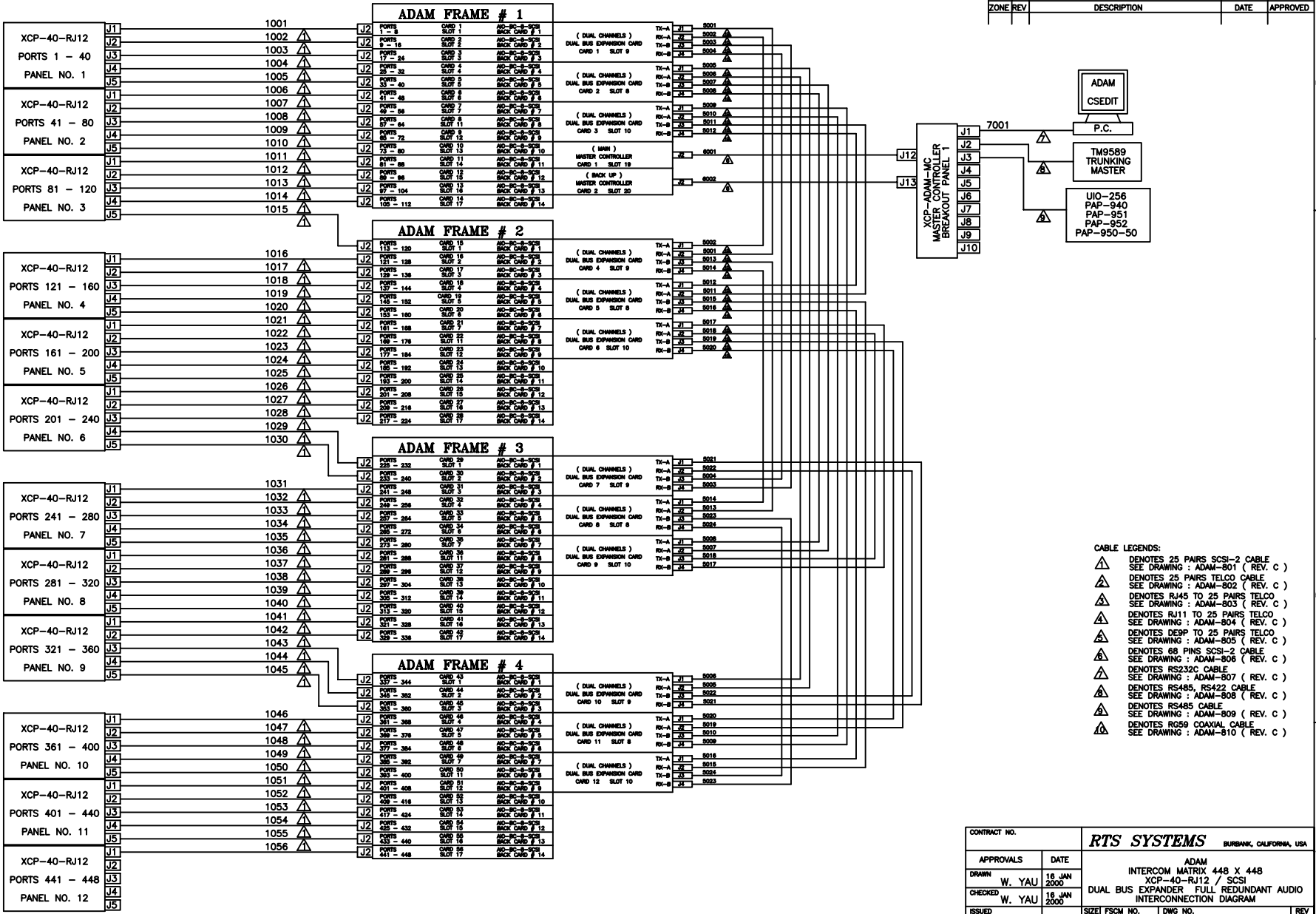


ZONE/REV	DESCRIPTION	DATE	APPROVED
----------	-------------	------	----------



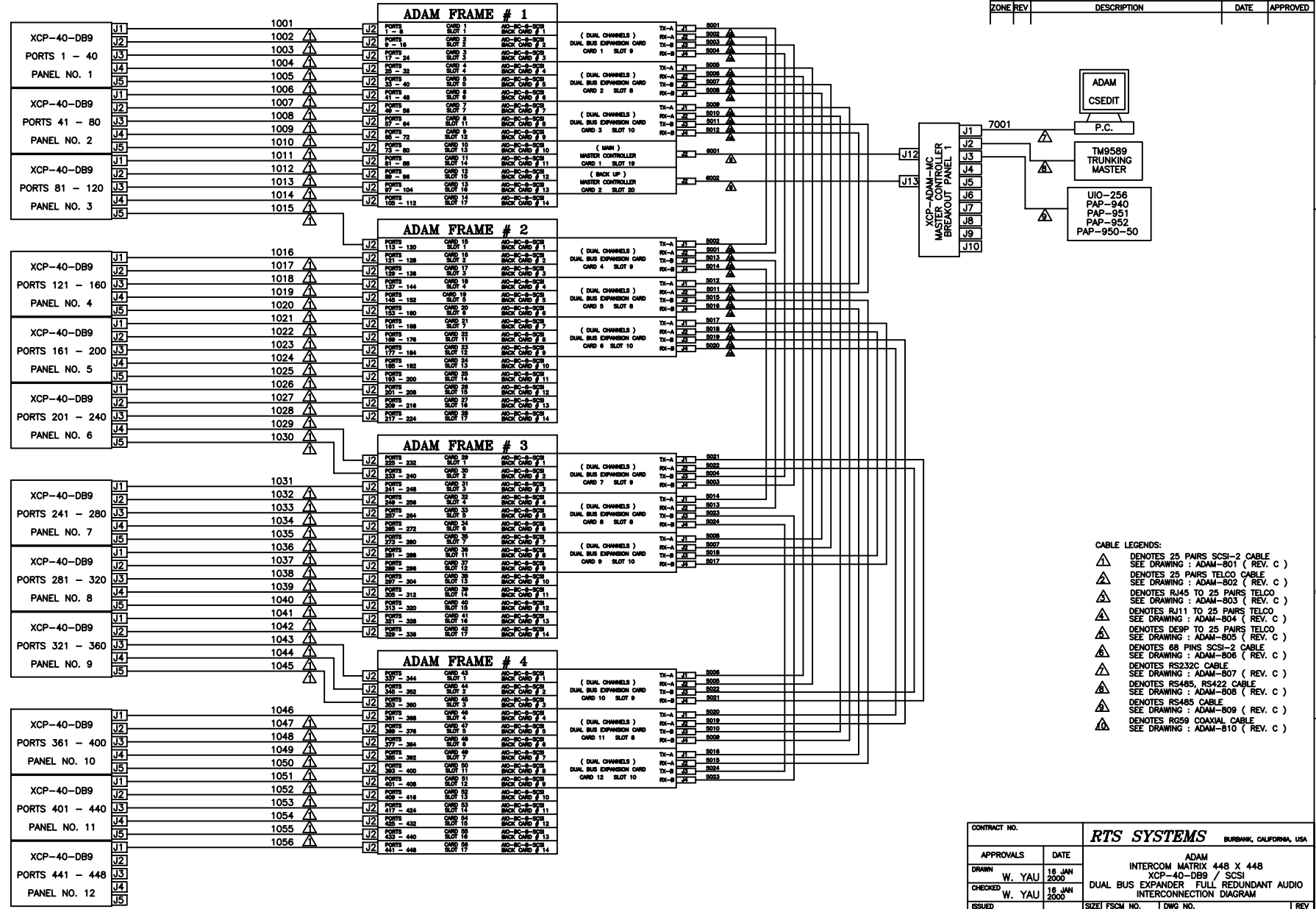
- CABLE LEGENDS:**
- △ DENOTES 25 PAIRS SC52-2 CABLE
SEE DRAWING : ADAM-901 (REV. C)
 - △ DENOTES 25 PAIRS TELCO CABLE
SEE DRAWING : ADAM-902 (REV. C)
 - △ DENOTES RJ45 TO 25 PAIRS TELCO
SEE DRAWING : ADAM-903 (REV. C)
 - △ DENOTES RJ11 TO 25 PAIRS TELCO
SEE DRAWING : ADAM-904 (REV. C)
 - △ DENOTES DESP TO 25 PAIRS TELCO
SEE DRAWING : ADAM-905 (REV. C)
 - △ DENOTES 66 PAIRS SC52-2 CABLE
SEE DRAWING : ADAM-906 (REV. C)
 - △ DENOTES RS445 RS422 CABLE
SEE DRAWING : ADAM-907 (REV. C)
 - △ DENOTES RS232C CABLE
SEE DRAWING : ADAM-908 (REV. C)
 - △ DENOTES RS485 RS422 CABLE
SEE DRAWING : ADAM-909 (REV. C)
 - △ DENOTES RS485 CABLE
SEE DRAWING : ADAM-909 (REV. C)
 - △ DENOTES RG59 COAXIAL CABLE
SEE DRAWING : ADAM-910 (REV. C)

CONTRACT NO.		RTS SYSTEMS		BUREN, CALIFORNIA, USA	
APPROVALS	DATE	ADAM INTERCOM MATRIX 480 X 480			
DRAWN	8 JUN 2000	XCP-954-48 / AUDIO ONLY JACKFIELD / RJ45			
CHECKED	W. YAU	DUAL BUS EXPANDER NON REDUNDANT AUDIO INTERCONNECTION DIAGRAM			
ISSUED	W. YAU	SIZE	FSM NO.	DWG NO.	REV.
		D		ADAM-DBX-140	A
ADAM-DBX-140A		SCALE	SHEET		



- CABLE LEGENDS:
- △ DENOTES 25 PAIRS SCASI-2 CABLE
SEE DRAWING : ADAM-801 (REV. C)
 - △ DENOTES 25 PAIRS TELCO CABLE
SEE DRAWING : ADAM-802 (REV. C)
 - △ DENOTES RJ45 TO 25 PAIRS TELCO
SEE DRAWING : ADAM-803 (REV. C)
 - △ DENOTES RJ11 TO 25 PAIRS TELCO
SEE DRAWING : ADAM-804 (REV. C)
 - △ DENOTES DS9P TO 25 PAIRS TELCO
SEE DRAWING : ADAM-805 (REV. C)
 - △ DENOTES 68 PINS SCASI-2 CABLE
SEE DRAWING : ADAM-806 (REV. C)
 - △ DENOTES RS232C CABLE
SEE DRAWING : ADAM-807 (REV. C)
 - △ DENOTES RS485, RS422 CABLE
SEE DRAWING : ADAM-808 (REV. C)
 - △ DENOTES RS485 CABLE
SEE DRAWING : ADAM-809 (REV. C)
 - △ DENOTES RG59 COAXIAL CABLE
SEE DRAWING : ADAM-810 (REV. C)

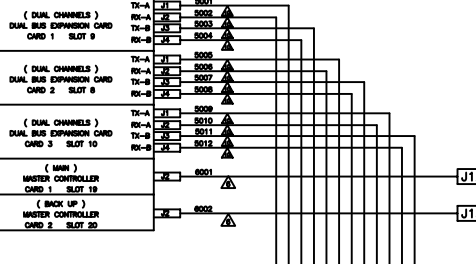
CONTRACT NO.		RTS SYSTEMS BURBANK, CALIFORNIA, USA		
APPROVALS	DATE	ADAM XCP-40-RJ12 / SCSI INTERCONNECTION DIAGRAM		
DRAWN	18 JAN 2000	DUAL BUS EXPANDER FULL REDUNDANT AUDIO INTERCONNECTION DIAGRAM		
CHECKED	18 JAN 2000	SIZE	FSCM NO.	DWG NO.
ISSUED	18 JAN 2000	D		ADAM-DBX-141
ADAM-DBX-141A		SCALE		SHEET



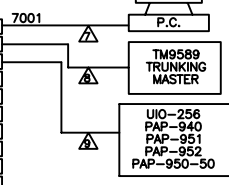
J1	XCP-955	J26	1001	IN	AUDIO IN 1 - 24	OUT	1101	J1	J4	1201
R112	PORTS	J27	1002	IN	AUDIO OUT 1 - 24	OUT	1102	J2	J5	1202
J26	PANEL NO. 2	J28	2001	OUT	AUDIO OUT 1 - 24	IN	2101	J3	J6	1203
J1	XCP-955	J26	1003	IN	KP DATA 1 - 24	IN	1103	J1	J4	1204
R112	PORTS	J27	1004	IN	AUDIO IN 25 - 48	OUT	1104	J2	J5	1205
J26	PANEL NO. 2	J28	2002	OUT	AUDIO OUT 25 - 48	IN	2102	J3	J6	1206
J1	XCP-955	J26	1005	IN	KP DATA 25 - 48	IN	1105	J1	J4	1207
R112	PORTS	J27	1006	IN	AUDIO IN 49 - 72	OUT	1106	J2	J5	1208
J26	PANEL NO. 3	J28	2003	OUT	AUDIO OUT 49 - 72	IN	2103	J3	J6	1209
J1	XCP-955	J26	1007	IN	KP DATA 49 - 72	IN	1107	J1	J4	1210
R112	PORTS	J27	1008	IN	AUDIO IN 73 - 96	OUT	1108	J2	J5	1211
J26	PANEL NO. 3	J28	2004	OUT	AUDIO OUT 73 - 96	IN	2104	J3	J6	1212
J1	XCP-955	J26	1009	IN	KP DATA 73 - 96	IN	1109	J1	J4	1213
R112	PORTS	J27	1010	IN	AUDIO IN 97 - 120	OUT	1110	J2	J5	1214
J26	PANEL NO. 5	J28	2005	OUT	AUDIO OUT 97 - 120	IN	2105	J3	J6	1215

ADAM FRAME # 1

J2	PORTS	CARD 1	NO-PC-955	TX-A	J1	8001
J2	PORTS	SLOT 1	BACK CARD 7	TX-B	J1	8002
J2	PORTS	SLOT 2	NO-PC-955	TX-C	J1	8003
J2	PORTS	SLOT 3	BACK CARD 7	TX-D	J1	8004
J2	PORTS	SLOT 4	NO-PC-955	TX-E	J1	8005
J2	PORTS	SLOT 5	BACK CARD 7	TX-F	J1	8006
J2	PORTS	SLOT 6	NO-PC-955	TX-G	J1	8007
J2	PORTS	SLOT 7	BACK CARD 7	TX-H	J1	8008
J2	PORTS	SLOT 8	NO-PC-955	TX-I	J1	8009
J2	PORTS	SLOT 9	BACK CARD 7	TX-J	J1	8010
J2	PORTS	SLOT 10	NO-PC-955	TX-K	J1	8011
J2	PORTS	SLOT 11	BACK CARD 7	TX-L	J1	8012
J2	PORTS	SLOT 12	NO-PC-955	TX-M	J1	8013
J2	PORTS	SLOT 13	BACK CARD 7	TX-N	J1	8014
J2	PORTS	SLOT 14	NO-PC-955	TX-O	J1	8015
J2	PORTS	SLOT 15	BACK CARD 7	TX-P	J1	8016
J2	PORTS	SLOT 16	NO-PC-955	TX-Q	J1	8017
J2	PORTS	SLOT 17	BACK CARD 7	TX-R	J1	8018
J2	PORTS	SLOT 18	NO-PC-955	TX-S	J1	8019
J2	PORTS	SLOT 19	BACK CARD 7	TX-T	J1	8020



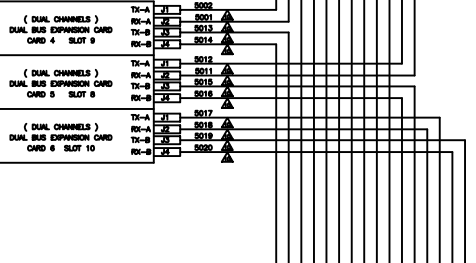
XCP-ADAM-MC
MASTER CONTROLLER
BREAKOUT PANEL 1



J1	XCP-955	J26	1011	IN	AUDIO IN 121 - 144	OUT	1111	J1	J4	1216
R112	PORTS	J27	1012	IN	AUDIO OUT 121 - 144	OUT	1112	J2	J5	1217
J26	PANEL NO. 6	J28	2006	OUT	KP DATA 121 - 144	IN	2106	J3	J6	1218
J1	XCP-955	J26	1013	IN	AUDIO IN 145 - 168	OUT	1113	J1	J4	1219
R112	PORTS	J27	1014	IN	AUDIO OUT 145 - 168	OUT	1114	J2	J5	1220
J26	PANEL NO. 7	J28	2007	OUT	KP DATA 145 - 168	IN	2107	J3	J6	1221
J1	XCP-955	J26	1015	IN	AUDIO IN 169 - 192	OUT	1115	J1	J4	1222
R112	PORTS	J27	1016	IN	AUDIO OUT 169 - 192	OUT	1116	J2	J5	1223
J26	PANEL NO. 8	J28	2008	OUT	KP DATA 169 - 192	IN	2108	J3	J6	1224
J1	XCP-955	J26	1017	IN	AUDIO IN 193 - 216	OUT	1117	J1	J4	1225
R112	PORTS	J27	1018	IN	AUDIO OUT 193 - 216	OUT	1118	J2	J5	1226
J26	PANEL NO. 9	J28	2009	OUT	KP DATA 193 - 216	IN	2109	J3	J6	1227
J1	XCP-955	J26	1019	IN	AUDIO IN 217 - 240	OUT	1119	J1	J4	1228
R112	PORTS	J27	1020	IN	AUDIO OUT 217 - 240	OUT	1120	J2	J5	1229
J26	PANEL NO. 10	J28	2010	OUT	KP DATA 217 - 240	IN	2110	J3	J6	1230

ADAM FRAME # 2

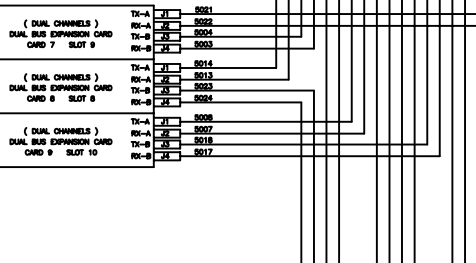
J2	PORTS	CARD 17	NO-PC-955	TX-A	J1	8021
J2	PORTS	SLOT 17	BACK CARD 7	TX-B	J1	8022
J2	PORTS	CARD 18	NO-PC-955	TX-C	J1	8023
J2	PORTS	SLOT 18	BACK CARD 7	TX-D	J1	8024
J2	PORTS	CARD 19	NO-PC-955	TX-E	J1	8025
J2	PORTS	SLOT 19	BACK CARD 7	TX-F	J1	8026
J2	PORTS	CARD 20	NO-PC-955	TX-G	J1	8027
J2	PORTS	SLOT 20	BACK CARD 7	TX-H	J1	8028
J2	PORTS	CARD 21	NO-PC-955	TX-I	J1	8029
J2	PORTS	SLOT 21	BACK CARD 7	TX-J	J1	8030
J2	PORTS	CARD 22	NO-PC-955	TX-K	J1	8031
J2	PORTS	SLOT 22	BACK CARD 7	TX-L	J1	8032
J2	PORTS	CARD 23	NO-PC-955	TX-M	J1	8033
J2	PORTS	SLOT 23	BACK CARD 7	TX-N	J1	8034
J2	PORTS	CARD 24	NO-PC-955	TX-O	J1	8035
J2	PORTS	SLOT 24	BACK CARD 7	TX-P	J1	8036
J2	PORTS	CARD 25	NO-PC-955	TX-Q	J1	8037
J2	PORTS	SLOT 25	BACK CARD 7	TX-R	J1	8038
J2	PORTS	CARD 26	NO-PC-955	TX-S	J1	8039
J2	PORTS	SLOT 26	BACK CARD 7	TX-T	J1	8040
J2	PORTS	CARD 27	NO-PC-955	TX-U	J1	8041
J2	PORTS	SLOT 27	BACK CARD 7	TX-V	J1	8042
J2	PORTS	CARD 28	NO-PC-955	TX-W	J1	8043
J2	PORTS	SLOT 28	BACK CARD 7	TX-X	J1	8044
J2	PORTS	CARD 29	NO-PC-955	TX-Y	J1	8045
J2	PORTS	SLOT 29	BACK CARD 7	TX-Z	J1	8046



J1	XCP-955	J26	1021	IN	AUDIO IN 241 - 264	OUT	1121	J1	J4	1231
R112	PORTS	J27	1022	IN	AUDIO OUT 241 - 264	OUT	1122	J2	J5	1232
J26	PANEL NO. 11	J28	2011	OUT	KP DATA 241 - 264	IN	2111	J3	J6	1233
J1	XCP-955	J26	1023	IN	AUDIO IN 265 - 288	OUT	1123	J1	J4	1234
R112	PORTS	J27	1024	IN	AUDIO OUT 265 - 288	OUT	1124	J2	J5	1235
J26	PANEL NO. 12	J28	2012	OUT	KP DATA 265 - 288	IN	2112	J3	J6	1236
J1	XCP-955	J26	1025	IN	AUDIO IN 289 - 312	OUT	1125	J1	J4	1237
R112	PORTS	J27	1026	IN	AUDIO OUT 289 - 312	OUT	1126	J2	J5	1238
J26	PANEL NO. 13	J28	2013	OUT	KP DATA 289 - 312	IN	2113	J3	J6	1239
J1	XCP-955	J26	1027	IN	AUDIO IN 313 - 336	OUT	1127	J1	J4	1240
R112	PORTS	J27	1028	IN	AUDIO OUT 313 - 336	OUT	1128	J2	J5	1241
J26	PANEL NO. 14	J28	2014	OUT	KP DATA 313 - 336	IN	2114	J3	J6	1242
J1	XCP-955	J26	1029	IN	AUDIO IN 337 - 360	OUT	1129	J1	J4	1243
R112	PORTS	J27	1030	IN	AUDIO OUT 337 - 360	OUT	1130	J2	J5	1244
J26	PANEL NO. 15	J28	2015	OUT	KP DATA 337 - 360	IN	2115	J3	J6	1245

ADAM FRAME # 3

J2	PORTS	CARD 30	NO-PC-955	TX-A	J1	8047
J2	PORTS	SLOT 30	BACK CARD 7	TX-B	J1	8048
J2	PORTS	CARD 31	NO-PC-955	TX-C	J1	8049
J2	PORTS	SLOT 31	BACK CARD 7	TX-D	J1	8050
J2	PORTS	CARD 32	NO-PC-955	TX-E	J1	8051
J2	PORTS	SLOT 32	BACK CARD 7	TX-F	J1	8052
J2	PORTS	CARD 33	NO-PC-955	TX-G	J1	8053
J2	PORTS	SLOT 33	BACK CARD 7	TX-H	J1	8054
J2	PORTS	CARD 34	NO-PC-955	TX-I	J1	8055
J2	PORTS	SLOT 34	BACK CARD 7	TX-J	J1	8056
J2	PORTS	CARD 35	NO-PC-955	TX-K	J1	8057
J2	PORTS	SLOT 35	BACK CARD 7	TX-L	J1	8058
J2	PORTS	CARD 36	NO-PC-955	TX-M	J1	8059
J2	PORTS	SLOT 36	BACK CARD 7	TX-N	J1	8060
J2	PORTS	CARD 37	NO-PC-955	TX-O	J1	8061
J2	PORTS	SLOT 37	BACK CARD 7	TX-P	J1	8062
J2	PORTS	CARD 38	NO-PC-955	TX-Q	J1	8063
J2	PORTS	SLOT 38	BACK CARD 7	TX-R	J1	8064
J2	PORTS	CARD 39	NO-PC-955	TX-S	J1	8065
J2	PORTS	SLOT 39	BACK CARD 7	TX-T	J1	8066
J2	PORTS	CARD 40	NO-PC-955	TX-U	J1	8067
J2	PORTS	SLOT 40	BACK CARD 7	TX-V	J1	8068
J2	PORTS	CARD 41	NO-PC-955	TX-W	J1	8069
J2	PORTS	SLOT 41	BACK CARD 7	TX-X	J1	8070
J2	PORTS	CARD 42	NO-PC-955	TX-Y	J1	8071
J2	PORTS	SLOT 42	BACK CARD 7	TX-Z	J1	8072

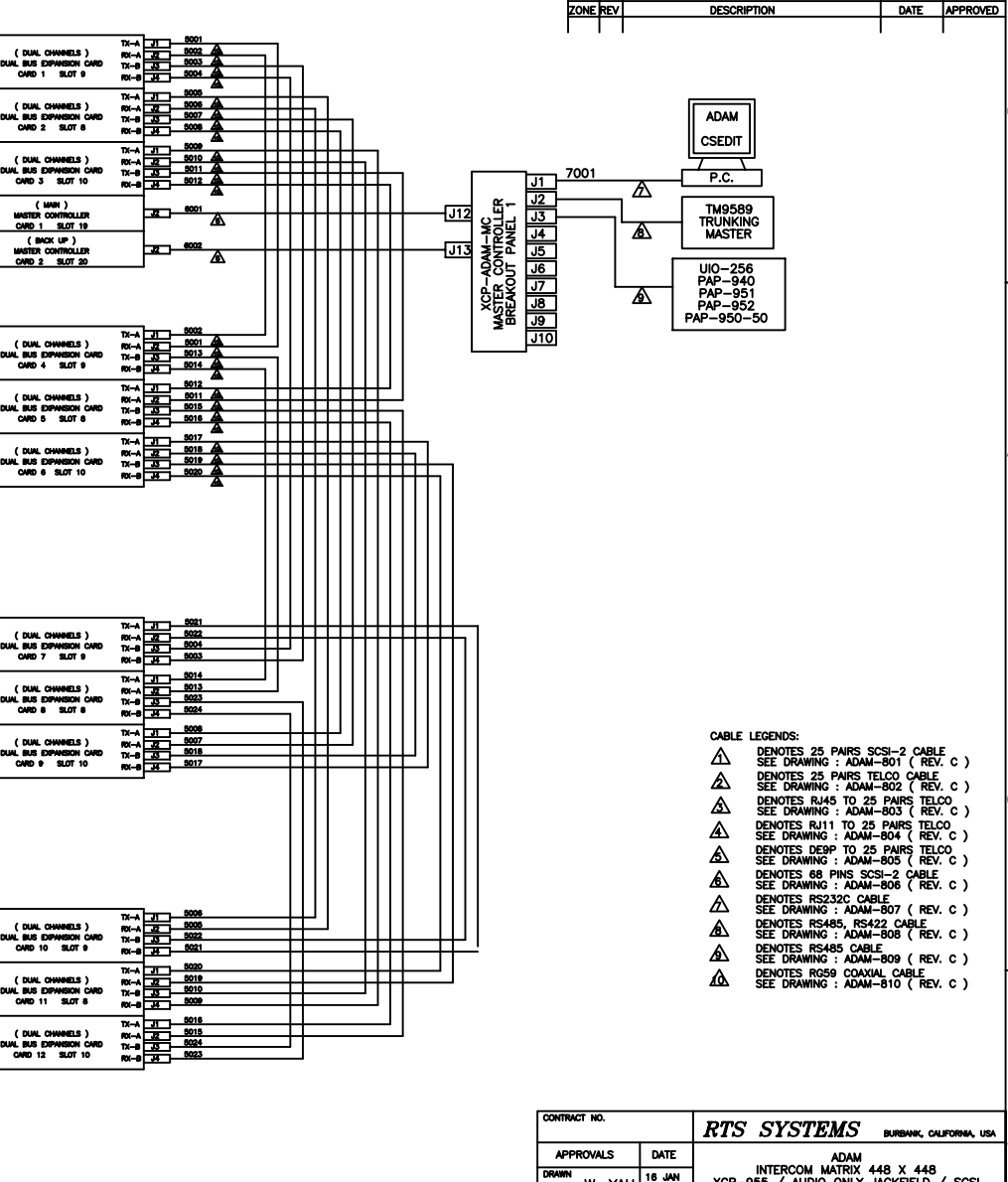
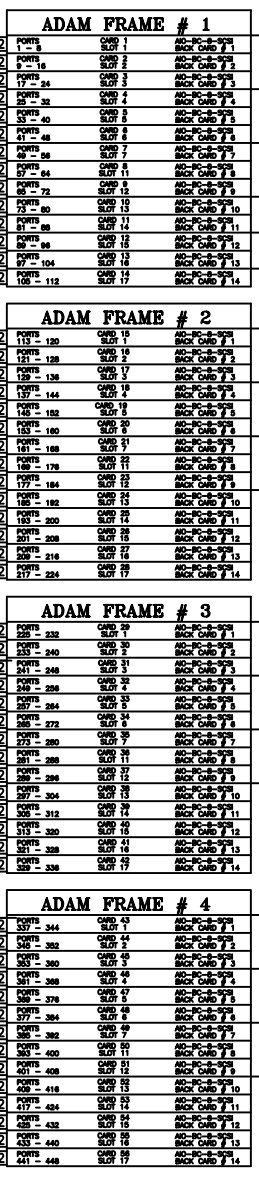
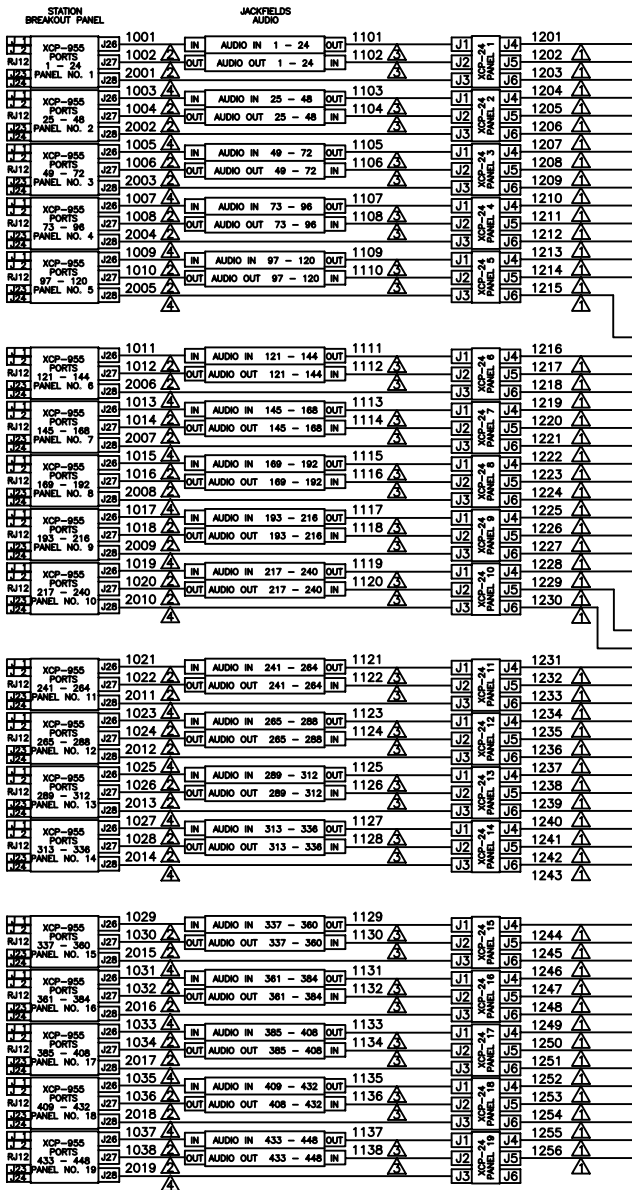


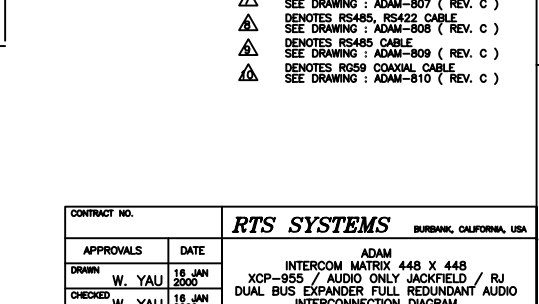
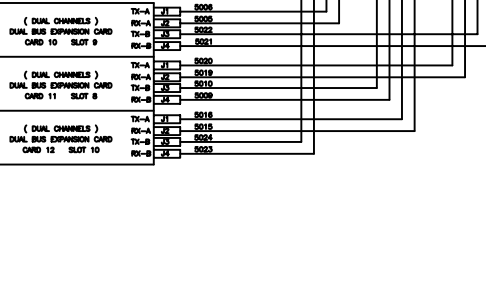
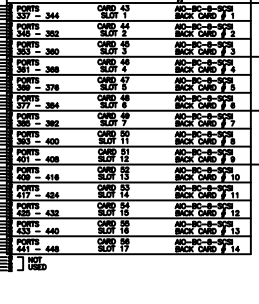
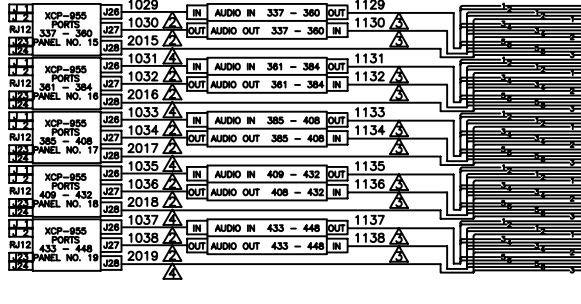
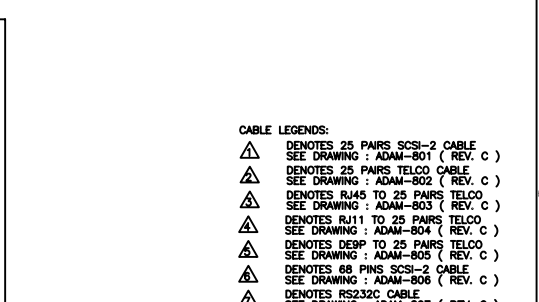
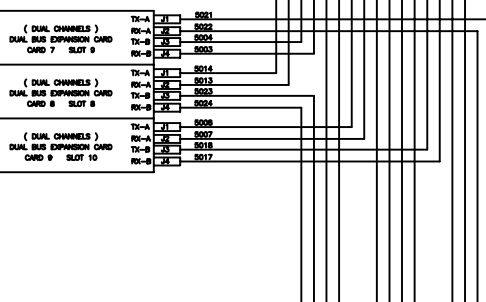
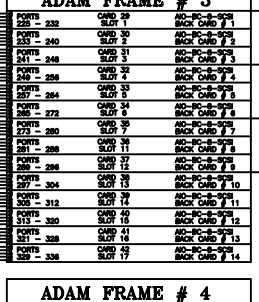
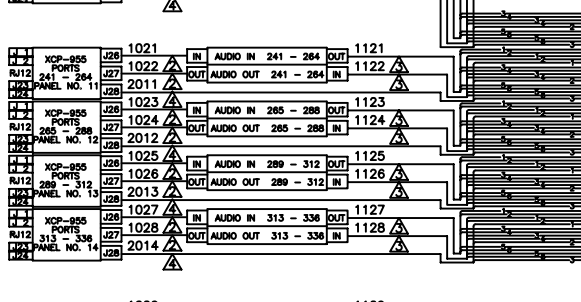
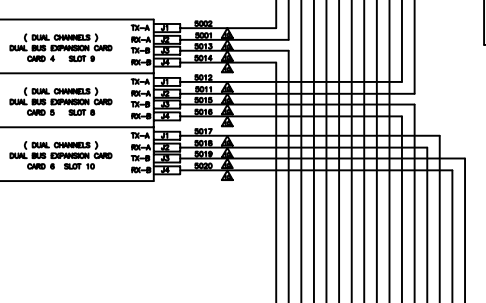
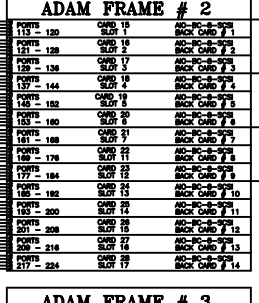
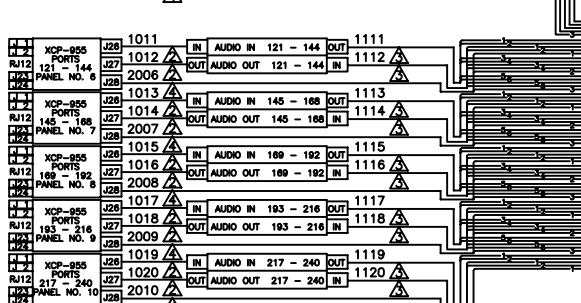
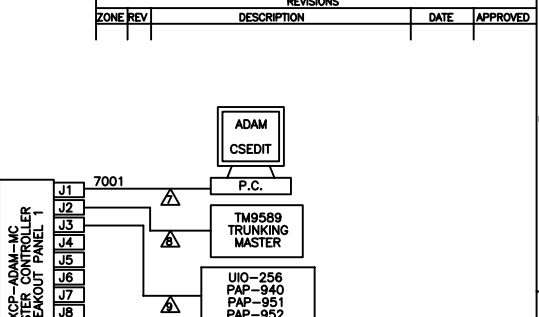
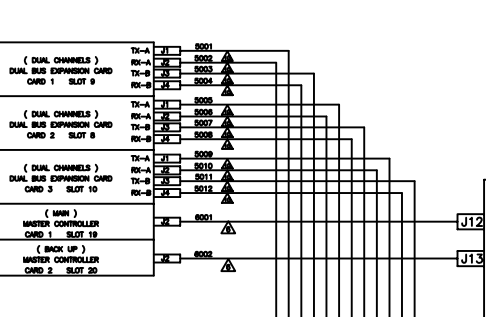
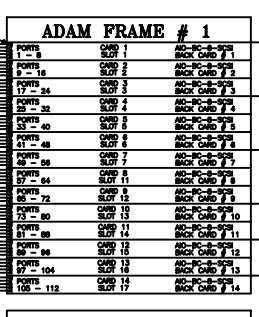
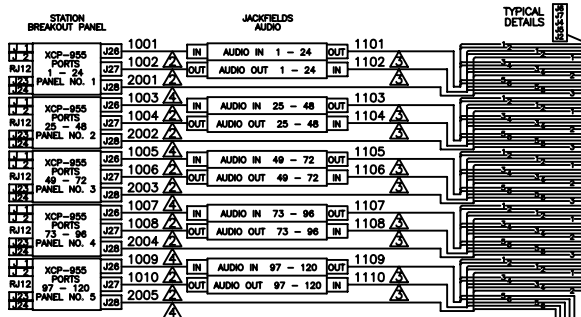
J1	XCP-955	J26	1031	IN	AUDIO IN 361 - 384	OUT	1131	J1	J4	1246
R112	PORTS	J27	1032	IN	AUDIO OUT 361 - 384	OUT	1132	J2	J5	1247
J26	PANEL NO. 16	J28	2016	OUT	KP DATA 361 - 384	IN	2116	J3	J6	1248
J1	XCP-955	J26	1033	IN	AUDIO IN 385 - 408	OUT	1133	J1	J4	1249
R112	PORTS	J27	1034	IN	AUDIO OUT 385 - 408	OUT	1134	J2	J5	1250
J26	PANEL NO. 17	J28	2017	OUT	KP DATA 385 - 408	IN	2117	J3	J6	1251
J1	XCP-955	J26	1035	IN	AUDIO IN 409 - 432	OUT	1135	J1	J4	1252
R112	PORTS	J27	1036	IN	AUDIO OUT 409 - 432	OUT	1136	J2	J5	1253
J26	PANEL NO. 18	J28	2018	OUT	KP DATA 409 - 432	IN	2118	J3	J6	1254
J1	XCP-955	J26	1037	IN	AUDIO IN 433 - 448	OUT	1137	J1	J4	1255
R112	PORTS	J27	1038	IN	AUDIO OUT 433 - 448	OUT	1138	J2	J5	1256
J26	PANEL NO. 19	J28	2019	OUT	KP DATA 433 - 448	IN	2119	J3	J6	1256

ADAM FRAME # 4

J2	PORTS	CARD 43	NO-PC-955	TX-A	J1	8073
J2	PORTS	SLOT 43	BACK CARD 7	TX-B	J1	8074
J2	PORTS	CARD 44	NO-PC-955	TX-C	J1	8075
J2	PORTS	SLOT 44	BACK CARD 7	TX-D	J1	8076
J2	PORTS	CARD 45	NO-PC-955	TX-E	J1	8077
J2	PORTS	SLOT 45	BACK CARD 7	TX-F	J1	8078
J2	PORTS	CARD 46	NO-PC-955	TX-G	J1	8079
J2	PORTS	SLOT 46	BACK CARD 7	TX-H	J1	8080
J2	PORTS	CARD 47	NO-PC-955	TX-I	J1	8081
J2	PORTS	SLOT 47	BACK CARD 7	TX-J	J1	8082
J2	PORTS	CARD 48	NO-PC-955	TX-K	J1	8083
J2	PORTS	SLOT 48	BACK CARD 7	TX-L	J1	8084
J2	PORTS	CARD 49	NO-PC-955	TX-M	J1	8085
J2	PORTS	SLOT 49	BACK CARD 7	TX-N	J1	8086
J2	PORTS	CARD 50	NO-PC-955	TX-O	J1	8087
J2	PORTS	SLOT 50	BACK CARD 7	TX-P	J1	8088
J2	PORTS	CARD 51	NO-PC-955	TX-Q	J1	8089
J2	PORTS	SLOT 51	BACK CARD 7	TX-R	J1	8090
J2	PORTS	CARD 52	NO-PC-955	TX-S	J1	8091
J2	PORTS	SLOT 52	BACK CARD 7	TX-T	J1	8092
J2	PORTS	CARD 53	NO-PC-955	TX-U	J1	8093
J2	PORTS	SLOT 53	BACK CARD 7	TX-V	J1	8094
J2	PORTS	CARD 54	NO-PC-955	TX-W	J1	8095
J2	PORTS	SLOT 54	BACK CARD 7	TX-X	J1	8096
J2	PORTS	CARD 55	NO-PC-955	TX-Y	J1	8097

STATION BREAKOUT PANEL		JACKFIELD AUDIO AND DATA		TYPICAL DETAILS	
RJ12	XCP-955 PORTS 24	J26	1001 IN	1101	OUT
RJ12	PANEL NO. 1	J27	1002 OUT	1102	IN
RJ12	XCP-955 PORTS 25-48	J28	1003 IN	1103	OUT
RJ12	PANEL NO. 2	J27	1004 OUT	1104	IN
RJ12	XCP-955 PORTS 49-72	J28	1005 IN	1105	OUT
RJ12	PANEL NO. 3	J27	1006 OUT	1106	IN
RJ12	XCP-955 PORTS 73-96	J28	1007 IN	1107	OUT
RJ12	PANEL NO. 4	J27	1008 OUT	1108	IN
RJ12	XCP-955 PORTS 97-120	J28	1009 IN	1109	OUT
RJ12	PANEL NO. 5	J27	1010 OUT	1110	IN
RJ12	XCP-955 PORTS 121-144	J28	1011 IN	1111	OUT
RJ12	PANEL NO. 6	J27	1012 OUT	1112	IN
RJ12	XCP-955 PORTS 145-168	J28	1013 IN	1113	OUT
RJ12	PANEL NO. 7	J27	1014 OUT	1114	IN
RJ12	XCP-955 PORTS 169-192	J28	1015 IN	1115	OUT
RJ12	PANEL NO. 8	J27	1016 OUT	1116	IN
RJ12	XCP-955 PORTS 193-216	J28	1017 IN	1117	OUT
RJ12	PANEL NO. 9	J27	1018 OUT	1118	IN
RJ12	XCP-955 PORTS 217-240	J28	1019 IN	1119	OUT
RJ12	PANEL NO. 10	J27	1020 OUT	1120	IN
RJ12	XCP-955 PORTS 241-264	J28	1021 IN	1121	OUT
RJ12	PANEL NO. 11	J27	1022 OUT	1122	IN
RJ12	XCP-955 PORTS 265-288	J28	1023 IN	1123	OUT
RJ12	PANEL NO. 12	J27	1024 OUT	1124	IN
RJ12	XCP-955 PORTS 289-312	J28	1025 IN	1125	OUT
RJ12	PANEL NO. 13	J27	1026 OUT	1126	IN
RJ12	XCP-955 PORTS 313-336	J28	1027 IN	1127	OUT
RJ12	PANEL NO. 14	J27	1028 OUT	1128	IN
RJ12	XCP-955 PORTS 337-360	J28	1029 IN	1129	OUT
RJ12	PANEL NO. 15	J27	1030 OUT	1130	IN
RJ12	XCP-955 PORTS 361-384	J28	1031 IN	1131	OUT
RJ12	PANEL NO. 16	J27	1032 OUT	1132	IN
RJ12	XCP-955 PORTS 385-408	J28	1033 IN	1133	OUT
RJ12	PANEL NO. 17	J27	1034 OUT	1134	IN
RJ12	XCP-955 PORTS 409-432	J28	1035 IN	1135	OUT
RJ12	PANEL NO. 18	J27	1036 OUT	1136	IN
RJ12	XCP-955 PORTS 433-448	J28	1037 IN	1137	OUT
RJ12	PANEL NO. 19	J27	1038 OUT	1138	IN
RJ12	XCP-955 PORTS 449-472	J28	1039 IN	1139	OUT
RJ12	PANEL NO. 20	J27	1040 OUT	1140	IN
RJ12	XCP-955 PORTS 473-496	J28	1041 IN	1141	OUT
RJ12	PANEL NO. 21	J27	1042 OUT	1142	IN
RJ12	XCP-955 PORTS 497-520	J28	1043 IN	1143	OUT
RJ12	PANEL NO. 22	J27	1044 OUT	1144	IN
RJ12	XCP-955 PORTS 521-544	J28	1045 IN	1145	OUT
RJ12	PANEL NO. 23	J27	1046 OUT	1146	IN
RJ12	XCP-955 PORTS 545-568	J28	1047 IN	1147	OUT
RJ12	PANEL NO. 24	J27	1048 OUT	1148	IN
RJ12	XCP-955 PORTS 569-592	J28	1049 IN	1149	OUT
RJ12	PANEL NO. 25	J27	1050 OUT	1150	IN
RJ12	XCP-955 PORTS 593-616	J28	1051 IN	1151	OUT
RJ12	PANEL NO. 26	J27	1052 OUT	1152	IN
RJ12	XCP-955 PORTS 617-640	J28	1053 IN	1153	OUT
RJ12	PANEL NO. 27	J27	1054 OUT	1154	IN
RJ12	XCP-955 PORTS 641-664	J28	1055 IN	1155	OUT
RJ12	PANEL NO. 28	J27	1056 OUT	1156	IN
RJ12	XCP-955 PORTS 665-688	J28	1057 IN	1157	OUT
RJ12	PANEL NO. 29	J27	1058 OUT	1158	IN
RJ12	XCP-955 PORTS 689-712	J28	1059 IN	1159	OUT
RJ12	PANEL NO. 30	J27	1060 OUT	1160	IN
RJ12	XCP-955 PORTS 713-736	J28	1061 IN	1161	OUT
RJ12	PANEL NO. 31	J27	1062 OUT	1162	IN
RJ12	XCP-955 PORTS 737-760	J28	1063 IN	1163	OUT
RJ12	PANEL NO. 32	J27	1064 OUT	1164	IN
RJ12	XCP-955 PORTS 761-784	J28	1065 IN	1165	OUT
RJ12	PANEL NO. 33	J27	1066 OUT	1166	IN
RJ12	XCP-955 PORTS 785-808	J28	1067 IN	1167	OUT
RJ12	PANEL NO. 34	J27	1068 OUT	1168	IN
RJ12	XCP-955 PORTS 809-832	J28	1069 IN	1169	OUT
RJ12	PANEL NO. 35	J27	1070 OUT	1170	IN
RJ12	XCP-955 PORTS 833-856	J28	1071 IN	1171	OUT
RJ12	PANEL NO. 36	J27	1072 OUT	1172	IN
RJ12	XCP-955 PORTS 857-880	J28	1073 IN	1173	OUT
RJ12	PANEL NO. 37	J27	1074 OUT	1174	IN
RJ12	XCP-955 PORTS 881-904	J28	1075 IN	1175	OUT
RJ12	PANEL NO. 38	J27	1076 OUT	1176	IN
RJ12	XCP-955 PORTS 905-928	J28	1077 IN	1177	OUT
RJ12	PANEL NO. 39	J27	1078 OUT	1178	IN
RJ12	XCP-955 PORTS 929-952	J28	1079 IN	1179	OUT
RJ12	PANEL NO. 40	J27	1080 OUT	1180	IN
RJ12	XCP-955 PORTS 953-976	J28	1081 IN	1181	OUT
RJ12	PANEL NO. 41	J27	1082 OUT	1182	IN
RJ12	XCP-955 PORTS 977-1000	J28	1083 IN	1183	OUT
RJ12	PANEL NO. 42	J27	1084 OUT	1184	IN
RJ12	XCP-955 PORTS 1001-1024	J28	1085 IN	1185	OUT
RJ12	PANEL NO. 43	J27	1086 OUT	1186	IN
RJ12	XCP-955 PORTS 1025-1048	J28	1087 IN	1187	OUT
RJ12	PANEL NO. 44	J27	1088 OUT	1188	IN
RJ12	XCP-955 PORTS 1049-1072	J28	1089 IN	1189	OUT
RJ12	PANEL NO. 45	J27	1090 OUT	1190	IN
RJ12	XCP-955 PORTS 1073-1096	J28	1091 IN	1191	OUT
RJ12	PANEL NO. 46	J27	1092 OUT	1192	IN
RJ12	XCP-955 PORTS 1097-1120	J28	1093 IN	1193	OUT
RJ12	PANEL NO. 47	J27	1094 OUT	1194	IN
RJ12	XCP-955 PORTS 1121-1144	J28	1095 IN	1195	OUT
RJ12	PANEL NO. 48	J27	1096 OUT	1196	IN
RJ12	XCP-955 PORTS 1145-1168	J28	1097 IN	1197	OUT
RJ12	PANEL NO. 49	J27	1098 OUT	1198	IN
RJ12	XCP-955 PORTS 1169-1192	J28	1099 IN	1199	OUT
RJ12	PANEL NO. 50	J27	1100 OUT	1200	IN
RJ12	XCP-955 PORTS 1193-1216	J28	1101 IN	1201	OUT
RJ12	PANEL NO. 51	J27	1102 OUT	1202	IN
RJ12	XCP-955 PORTS 1217-1240	J28	1103 IN	1203	OUT
RJ12	PANEL NO. 52	J27	1104 OUT	1204	IN
RJ12	XCP-955 PORTS 1241-1264	J28	1105 IN	1205	OUT
RJ12	PANEL NO. 53	J27	1106 OUT	1206	IN
RJ12	XCP-955 PORTS 1265-1288	J28	1107 IN	1207	OUT
RJ12	PANEL NO. 54	J27	1108 OUT	1208	IN
RJ12	XCP-955 PORTS 1289-1312	J28	1109 IN	1209	OUT
RJ12	PANEL NO. 55	J27	1110 OUT	1210	IN
RJ12	XCP-955 PORTS 1313-1336	J28	1111 IN	1211	OUT
RJ12	PANEL NO. 56	J27	1112 OUT	1212	IN
RJ12	XCP-955 PORTS 1337-1360	J28	1113 IN	1213	OUT
RJ12	PANEL NO. 57	J27	1114 OUT	1214	IN
RJ12	XCP-955 PORTS 1361-1384	J28	1115 IN	1215	OUT
RJ12	PANEL NO. 58	J27	1116 OUT	1216	IN
RJ12	XCP-955 PORTS 1385-1408	J28	1117 IN	1217	OUT
RJ12	PANEL NO. 59	J27	1118 OUT	1218	IN
RJ12	XCP-955 PORTS 1409-1432	J28	1119 IN	1219	OUT
RJ12	PANEL NO. 60	J27	1120 OUT	1220	IN
RJ12	XCP-955 PORTS 1433-1456	J28	1121 IN	1221	OUT
RJ12	PANEL NO. 61	J27	1122 OUT	1222	IN
RJ12	XCP-955 PORTS 1457-1480	J28	1123 IN	1223	OUT
RJ12	PANEL NO. 62	J27	1124 OUT	1224	IN
RJ12	XCP-955 PORTS 1481-1504	J28	1125 IN	1225	OUT
RJ12	PANEL NO. 63	J27	1126 OUT	1226	IN
RJ12	XCP-955 PORTS 1505-1528	J28	1127 IN	1227	OUT
RJ12	PANEL NO. 64	J27	1128 OUT	1228	IN
RJ12	XCP-955 PORTS 1529-1552	J28	1129 IN	1229	OUT
RJ12	PANEL NO. 65	J27	1130 OUT	1230	IN
RJ12	XCP-955 PORTS 1553-1576	J28	1131 IN	1231	OUT
RJ12	PANEL NO. 66	J27	1132 OUT	1232	IN
RJ12	XCP-955 PORTS 1577-1600	J28	1133 IN	1233	OUT
RJ12	PANEL NO. 67	J27	1134 OUT	1234	IN
RJ12	XCP-955 PORTS 1601-1624	J28	1135 IN	1235	OUT
RJ12	PANEL NO. 68	J27	1136 OUT	1236	IN
RJ12	XCP-955 PORTS 1625-1648	J28	1137 IN	1237	OUT
RJ12	PANEL NO. 69	J27	1138 OUT	1238	IN
RJ12	XCP-955 PORTS 1649-1672	J28	1139 IN	1239	OUT
RJ12	PANEL NO. 70	J27	1140 OUT	1240	IN
RJ12	XCP-955 PORTS 1673-1696	J28	1141 IN	1241	OUT
RJ12	PANEL NO. 71	J27	1142 OUT	1242	IN
RJ12	XCP-955 PORTS 1697-1720	J28	1143 IN	1243	OUT
RJ12	PANEL NO. 72	J27	1144 OUT	1244	IN
RJ12	XCP-955 PORTS 1721-1744	J28	1145 IN	1245	OUT
RJ12	PANEL NO. 73	J27	1146 OUT	1246	IN
RJ12	XCP-955 PORTS 1745-1768	J28	1147 IN	1247	OUT
RJ12	PANEL NO. 74	J27	1148 OUT	1248	IN
RJ12	XCP-955 PORTS 1769-1792	J28	1149 IN	1249	OUT
RJ12	PANEL NO. 75	J27	1150 OUT	1250	IN
RJ12	XCP-955 PORTS 1793-1816	J28	1151 IN	1251	OUT
RJ12	PANEL NO. 76	J27	1152 OUT	1252	IN
RJ12	XCP-955 PORTS 1817-1840	J28	1153 IN	1253	OUT
RJ12	PANEL NO. 77	J27	1154 OUT	1254	IN
RJ12	XCP-955 PORTS 1841-1864	J28	1155 IN	1255	OUT
RJ12	PANEL NO. 78	J27	1156 OUT	1256	IN
RJ12	XCP-955 PORTS 1865-1888	J28	1157 IN	1257	OUT
RJ12	PANEL NO. 79	J27	1158 OUT	1258	IN
RJ12	XCP-955 PORTS 1889-1912	J28	1159 IN	1259	OUT
RJ12	PANEL NO. 80	J27	1160 OUT	1260	IN
RJ12	XCP-955 PORTS 1913-1936	J28	1161 IN	1261	OUT
RJ12	PANEL NO. 81	J27	1162 OUT	1262	IN
RJ12	XCP-955 PORTS 1937-1960	J28	1163 IN	1263	OUT
RJ12	PANEL NO. 82	J27	1164 OUT	1264	IN
RJ12	XCP-955 PORTS 1961-1984	J28	1165 IN	1265	OUT
RJ12	PANEL NO. 83	J27	1166 OUT	1266	IN
RJ12	XCP-955 PORTS 1985-2008	J28	1167 IN	1267	OUT
RJ12	PANEL NO. 84	J27	1168 OUT	1268	IN
RJ12	XCP-955 PORTS 2009-2032	J28	1169 IN	1269	OUT
RJ12	PANEL NO. 85	J27	1170 OUT	1270	IN
RJ12	XCP-955 PORTS 2033-2056	J28	1171 IN	1271	OUT
RJ12	PANEL NO. 86	J27	1172 OUT	1272	IN
RJ12	XCP-955 PORTS 2057-2080	J28	1173 IN	1273	OUT
RJ12	PANEL NO. 87	J27	1174 OUT	1274	IN
RJ12	XCP-955 PORTS 2081-2104	J28	1175 IN	1275	OUT
RJ12	PANEL NO. 88	J27	1176 OUT	1276	IN
RJ12	XCP-955 PORTS 2105-2128	J28	1177 IN	1277	OUT
RJ12	PANEL NO. 89	J27	1178 OUT	1278	IN
RJ12	XCP-955 PORTS 2				





- CABLE LEGENDS:**
- △ DENOTES 25 PAIRS SCSI-2 CABLE SEE DRAWING: ADAM-801 (REV. C)
 - △ DENOTES 25 PAIRS TELCO CABLE SEE DRAWING: ADAM-802 (REV. C)
 - △ DENOTES RJ45 TO 25 PAIRS TELCO SEE DRAWING: ADAM-803 (REV. C)
 - △ DENOTES RJ11 TO 25 PAIRS TELCO SEE DRAWING: ADAM-804 (REV. C)
 - △ DENOTES DESP TO 25 PAIRS TELCO SEE DRAWING: ADAM-805 (REV. C)
 - △ DENOTES 68 PINS SCSI-2 CABLE SEE DRAWING: ADAM-806 (REV. C)
 - △ DENOTES RS232C CABLE SEE DRAWING: ADAM-807 (REV. C)
 - △ DENOTES RS485, RS422 CABLE SEE DRAWING: ADAM-808 (REV. C)
 - △ DENOTES RS485 CABLE SEE DRAWING: ADAM-809 (REV. C)
 - △ DENOTES RG59 COAXIAL CABLE SEE DRAWING: ADAM-810 (REV. C)

CONTRACT NO.		RTS SYSTEMS BURBANK, CALIFORNIA, USA	
APPROVALS	DATE	ADAM INTERCOM MATRIX 448 X 448 XCP-955 / AUDIO ONLY JACKFIELD / RJ DUAL BUS EXPANDER FULL REDUNDANT AUDIO INTERCONNECTION DIAGRAM	
DRAWN	W. YAU	18 JAN 2000	
CHECKED	W. YAU	18 JAN 2000	
ISSUED			
	SIZE	FSCM NO.	DWG NO.
	D		ADAM-DBX-146
	ADAM-DBX-146A	SCALE	SHEET

J51	1001	IN	1001	IN	1 - 24	OUT	1101	J1	J4	1201
J53	1002	OUT	1002	OUT	1 - 24	IN	1102	J2	J6	1202
J56	2001	OUT	2001	OUT	25 - 48	IN	2101	J3	J5	1203
J52	1003	IN	1003	IN	KP DATA 1 - 24	IN	1103	J1	J4	1204
J54	1004	OUT	1004	OUT	AUDIO IN 25 - 48	OUT	1104	J3	J5	1205
J54	2002	OUT	2002	OUT	AUDIO OUT 25 - 48	IN	2102	J2	J6	1206
J51	1005	IN	1005	IN	KP DATA 25 - 48	IN	1105	J1	J4	1207
J53	1006	OUT	1006	OUT	AUDIO IN 49 - 72	OUT	1106	J3	J5	1208
J56	2003	OUT	2003	OUT	AUDIO OUT 49 - 72	IN	2103	J2	J6	1209
J52	1007	IN	1007	IN	KP DATA 49 - 72	IN	1107	J1	J4	1210
J54	1008	OUT	1008	OUT	AUDIO IN 73 - 96	OUT	1108	J3	J5	1211
J54	2004	OUT	2004	OUT	AUDIO OUT 73 - 96	IN	2104	J2	J6	1212
J51	1009	IN	1009	IN	KP DATA 73 - 96	IN	1109	J1	J4	1213
J53	1010	OUT	1010	OUT	AUDIO IN 97 - 120	OUT	1110	J3	J5	1214
J56	2005	OUT	2005	OUT	AUDIO OUT 97 - 120	IN	2105	J2	J6	1215

ADAM FRAME # 1

J2	PORTS 1-16	CARD 1	AD-PC-90R	TX-A	J1	5001
J2	PORTS 17-32	SLOT 2	BACK CARD 7	TX-B	J1	5002
J2	PORTS 33-48	SLOT 3	AD-PC-90R	TX-C	J1	5003
J2	PORTS 49-64	SLOT 4	BACK CARD 8	TX-D	J1	5004
J2	PORTS 65-80	CARD 5	AD-PC-90R	TX-E	J1	5005
J2	PORTS 81-96	SLOT 6	BACK CARD 9	TX-F	J1	5006
J2	PORTS 97-112	CARD 7	AD-PC-90R	TX-G	J1	5007
J2	PORTS 113-128	SLOT 8	BACK CARD 10	TX-H	J1	5008
J2	PORTS 129-144	CARD 8	AD-PC-90R	TX-I	J1	5009
J2	PORTS 145-160	SLOT 9	BACK CARD 11	TX-J	J1	5010
J2	PORTS 161-176	CARD 9	AD-PC-90R	TX-K	J1	5011
J2	PORTS 177-192	SLOT 10	BACK CARD 12	TX-L	J1	5012
J2	PORTS 193-208	CARD 10	AD-PC-90R	TX-M	J1	5013
J2	PORTS 209-224	SLOT 11	BACK CARD 13	TX-N	J1	5014
J2	PORTS 225-240	CARD 11	AD-PC-90R	TX-O	J1	5015
J2	PORTS 241-256	SLOT 12	BACK CARD 14	TX-P	J1	5016

ADAM FRAME # 2

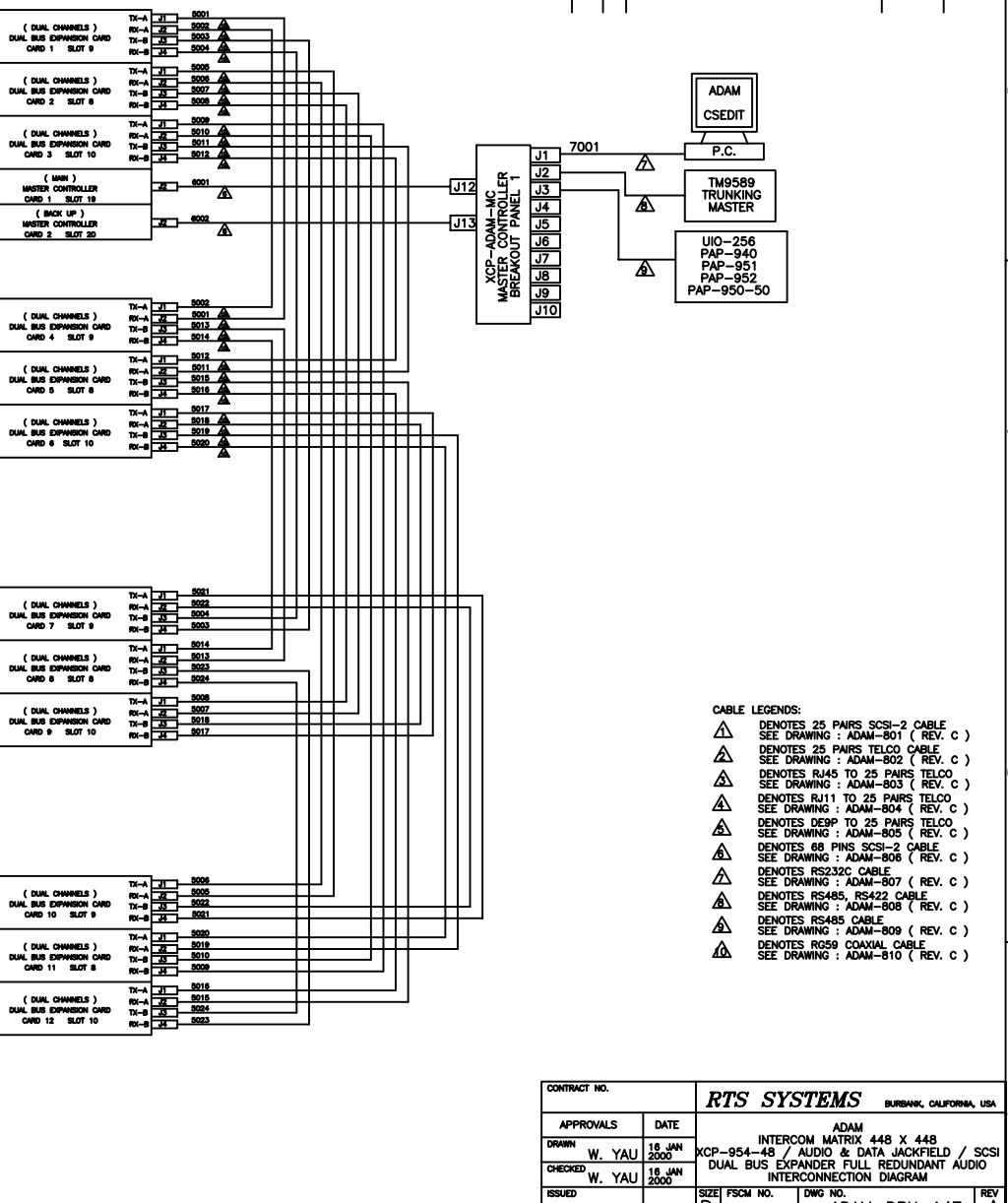
J2	PORTS 1-16	CARD 13	AD-PC-90R	TX-A	J1	5017
J2	PORTS 17-32	SLOT 2	BACK CARD 15	TX-B	J1	5018
J2	PORTS 33-48	CARD 14	AD-PC-90R	TX-C	J1	5019
J2	PORTS 49-64	SLOT 3	BACK CARD 16	TX-D	J1	5020
J2	PORTS 65-80	CARD 15	AD-PC-90R	TX-E	J1	5021
J2	PORTS 81-96	SLOT 4	BACK CARD 17	TX-F	J1	5022
J2	PORTS 97-112	CARD 16	AD-PC-90R	TX-G	J1	5023
J2	PORTS 113-128	SLOT 5	BACK CARD 18	TX-H	J1	5024
J2	PORTS 129-144	CARD 17	AD-PC-90R	TX-I	J1	5025
J2	PORTS 145-160	SLOT 6	BACK CARD 19	TX-J	J1	5026
J2	PORTS 161-176	CARD 18	AD-PC-90R	TX-K	J1	5027
J2	PORTS 177-192	SLOT 7	BACK CARD 20	TX-L	J1	5028
J2	PORTS 193-208	CARD 19	AD-PC-90R	TX-M	J1	5029
J2	PORTS 209-224	SLOT 8	BACK CARD 21	TX-N	J1	5030
J2	PORTS 225-240	CARD 20	AD-PC-90R	TX-O	J1	5031
J2	PORTS 241-256	SLOT 9	BACK CARD 22	TX-P	J1	5032

ADAM FRAME # 3

J2	PORTS 1-16	CARD 21	AD-PC-90R	TX-A	J1	5033
J2	PORTS 17-32	SLOT 10	BACK CARD 23	TX-B	J1	5034
J2	PORTS 33-48	CARD 22	AD-PC-90R	TX-C	J1	5035
J2	PORTS 49-64	SLOT 11	BACK CARD 24	TX-D	J1	5036
J2	PORTS 65-80	CARD 23	AD-PC-90R	TX-E	J1	5037
J2	PORTS 81-96	SLOT 12	BACK CARD 25	TX-F	J1	5038
J2	PORTS 97-112	CARD 24	AD-PC-90R	TX-G	J1	5039
J2	PORTS 113-128	SLOT 1	BACK CARD 26	TX-H	J1	5040
J2	PORTS 129-144	CARD 25	AD-PC-90R	TX-I	J1	5041
J2	PORTS 145-160	SLOT 2	BACK CARD 27	TX-J	J1	5042
J2	PORTS 161-176	CARD 26	AD-PC-90R	TX-K	J1	5043
J2	PORTS 177-192	SLOT 3	BACK CARD 28	TX-L	J1	5044
J2	PORTS 193-208	CARD 27	AD-PC-90R	TX-M	J1	5045
J2	PORTS 209-224	SLOT 4	BACK CARD 29	TX-N	J1	5046
J2	PORTS 225-240	CARD 28	AD-PC-90R	TX-O	J1	5047
J2	PORTS 241-256	SLOT 5	BACK CARD 30	TX-P	J1	5048

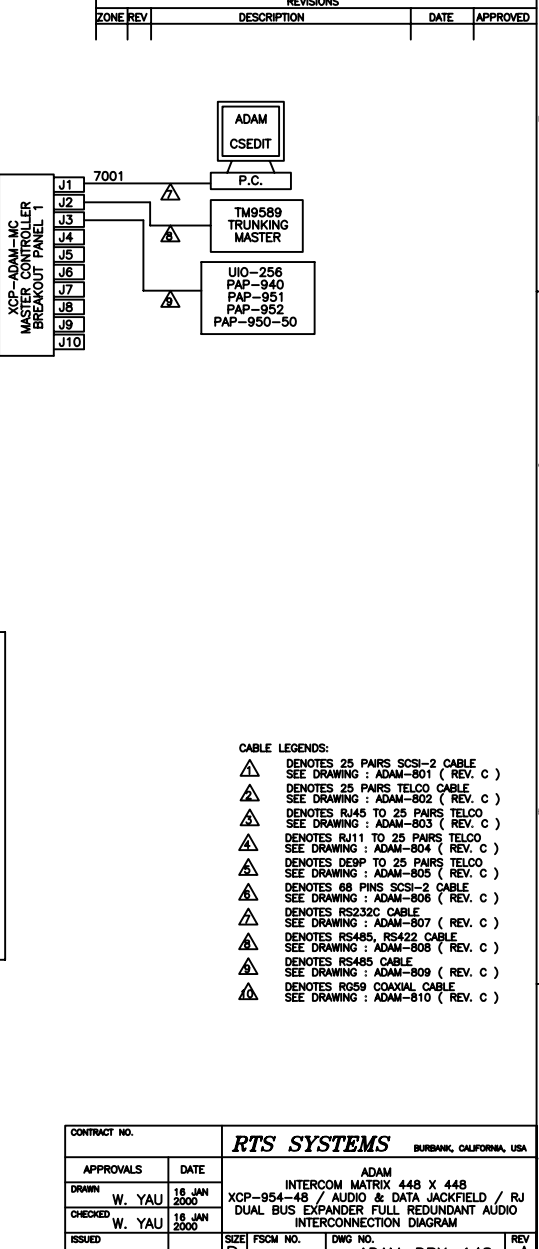
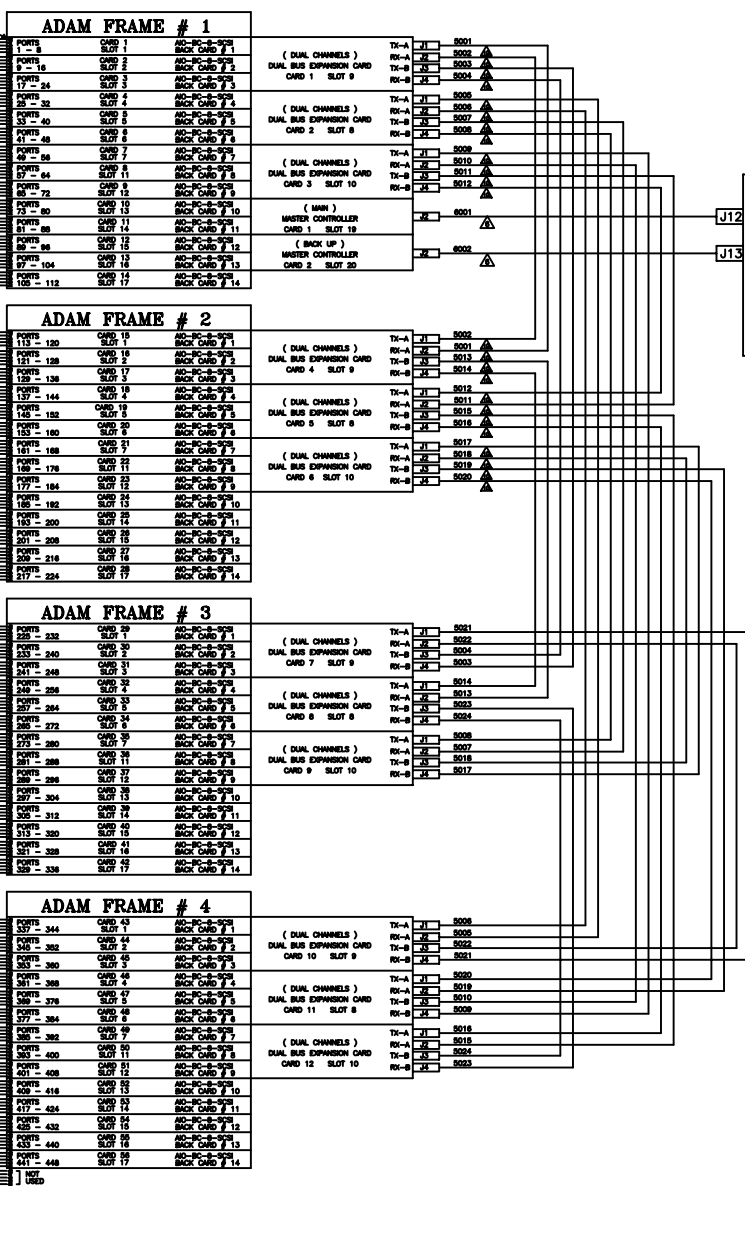
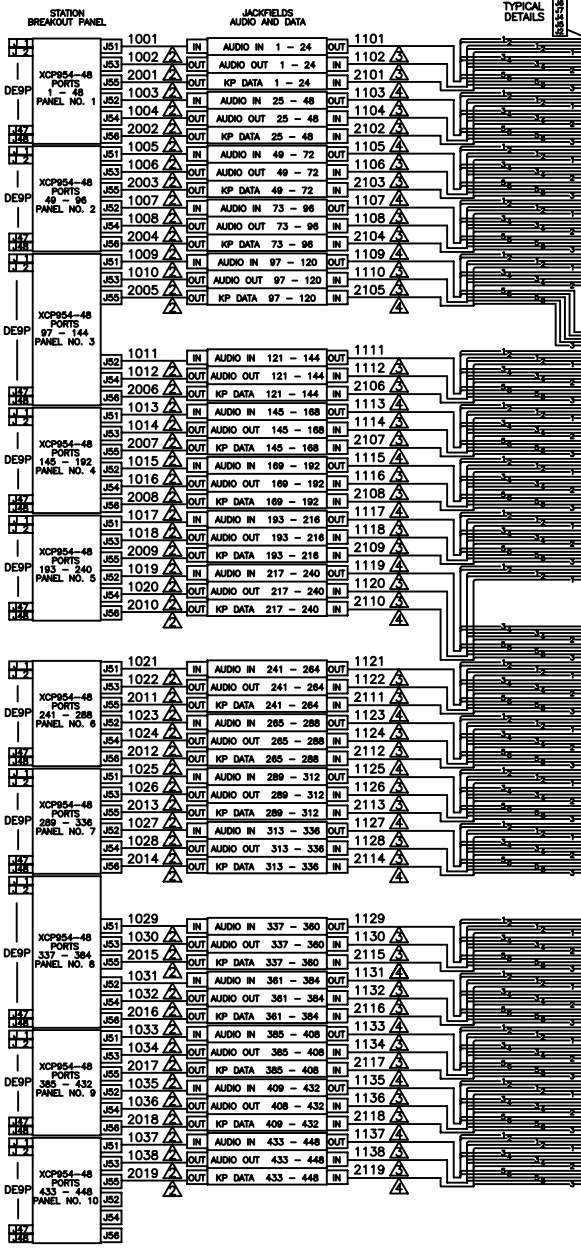
ADAM FRAME # 4

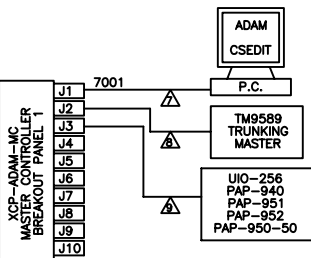
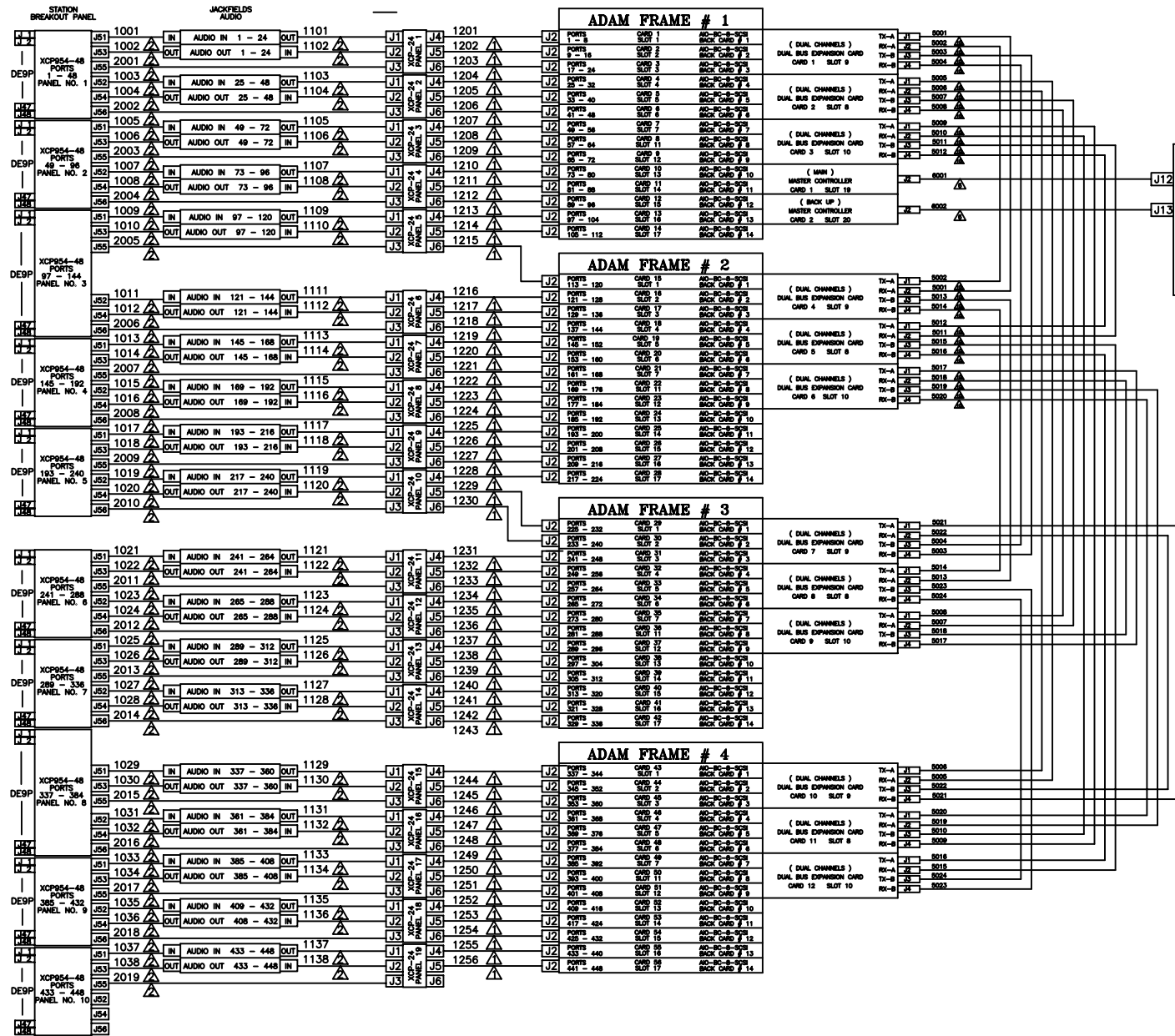
J2	PORTS 1-16	CARD 29	AD-PC-90R	TX-A	J1	5049
J2	PORTS 17-32	SLOT 6	BACK CARD 31	TX-B	J1	5050
J2	PORTS 33-48	CARD 30	AD-PC-90R	TX-C	J1	5051
J2	PORTS 49-64	SLOT 7	BACK CARD 32	TX-D	J1	5052
J2	PORTS 65-80	CARD 31	AD-PC-90R	TX-E	J1	5053
J2	PORTS 81-96	SLOT 8	BACK CARD 33	TX-F	J1	5054
J2	PORTS 97-112	CARD 32	AD-PC-90R	TX-G	J1	5055
J2	PORTS 113-128	SLOT 9	BACK CARD 34	TX-H	J1	5056
J2	PORTS 129-144	CARD 33	AD-PC-90R	TX-I	J1	5057
J2	PORTS 145-160	SLOT 10	BACK CARD 35	TX-J	J1	5058
J2	PORTS 161-176	CARD 34	AD-PC-90R	TX-K	J1	5059
J2	PORTS 177-192	SLOT 11	BACK CARD 36	TX-L	J1	5060
J2	PORTS 193-208	CARD 35	AD-PC-90R	TX-M	J1	5061
J2	PORTS 209-224	SLOT 12	BACK CARD 37	TX-N	J1	5062
J2	PORTS 225-240	CARD 36	AD-PC-90R	TX-O	J1	5063
J2	PORTS 241-256	SLOT 1	BACK CARD 38	TX-P	J1	5064



- CABLE LEGENDS:
- △ DENOTES 25 PAIRS SCSI-2 CABLE SEE DRAWING: ADAM-801 (REV. C)
 - △ DENOTES 25 PAIRS TELCO CABLE SEE DRAWING: ADAM-802 (REV. C)
 - △ DENOTES RJ45 TO 25 PAIRS TELCO SEE DRAWING: ADAM-803 (REV. C)
 - △ DENOTES RJ11 TO 25 PAIRS TELCO SEE DRAWING: ADAM-804 (REV. C)
 - △ DENOTES DE9P TO 25 PAIRS TELCO SEE DRAWING: ADAM-805 (REV. C)
 - △ DENOTES 68 PINS SCSI-2 CABLE SEE DRAWING: ADAM-806 (REV. C)
 - △ DENOTES RS232C CABLE SEE DRAWING: ADAM-807 (REV. C)
 - △ DENOTES RS485, RS422 CABLE SEE DRAWING: ADAM-808 (REV. C)
 - △ DENOTES RS485 CABLE SEE DRAWING: ADAM-809 (REV. C)
 - △ DENOTES RG59 COAXIAL CABLE SEE DRAWING: ADAM-810 (REV. C)

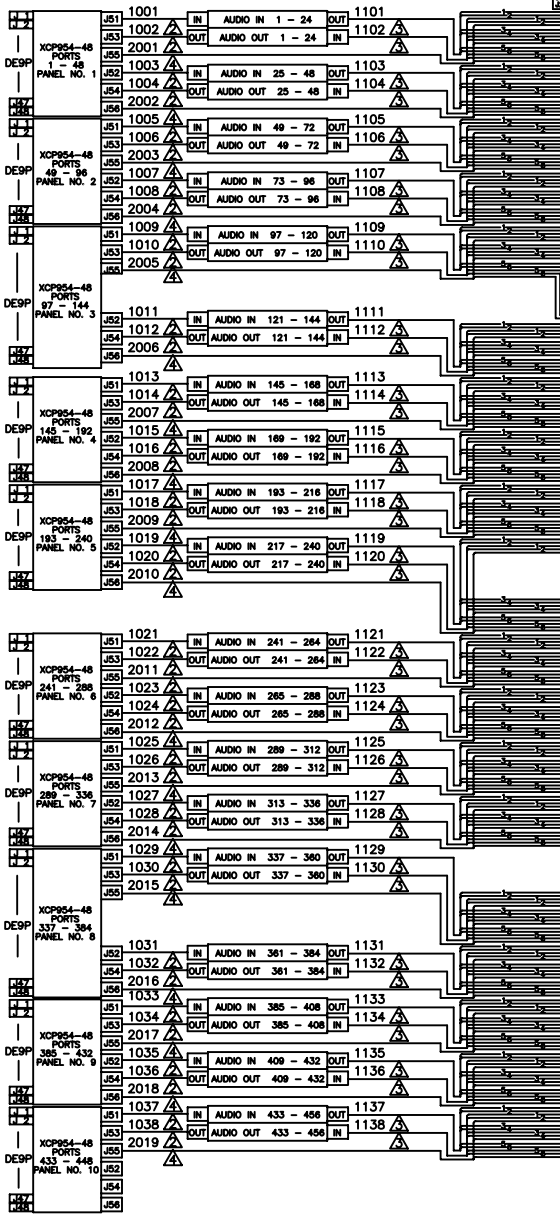
CONTRACT NO.		RTS SYSTEMS		BURBANK, CALIFORNIA, USA	
APPROVALS	DATE	ADAM INTERCOM MATRIX 448 X 448 XCP-954-48 / AUDIO & DATA JACKFIELD / SCSI DUAL BUS EXPANDER FULL REDUNDANT AUDIO INTERCONNECTION DIAGRAM			
DRAWN	W. YAU	18 JUN 2000			
CHECKED	W. YAU	18 JUN 2000			
ISSUED	D	SIZE FSCM NO. DWG NO. ADAM-DBX-147			REV A
ADAM-DBX-147A		SCALE	SHEET		





- CABLE LEGENDS:**
- △ DENOTES 25 PAIRS SCSI-2 CABLE
SEE DRAWING: ADAM-801 (REV. C)
 - △ DENOTES 25 PAIRS TELCO CABLE
SEE DRAWING: ADAM-802 (REV. C)
 - △ DENOTES RJ45 TO 25 PAIRS TELCO
SEE DRAWING: ADAM-803 (REV. C)
 - △ DENOTES RJ11 TO 25 PAIRS TELCO
SEE DRAWING: ADAM-804 (REV. C)
 - △ DENOTES DESP TO 25 PAIRS TELCO
SEE DRAWING: ADAM-805 (REV. C)
 - △ DENOTES 68 PINS SCSI-2 CABLE
SEE DRAWING: ADAM-806 (REV. C)
 - △ DENOTES RS232C CABLE
SEE DRAWING: ADAM-807 (REV. C)
 - △ DENOTES RS485, RS422 CABLE
SEE DRAWING: ADAM-808 (REV. C)
 - △ DENOTES RS485 CABLE
SEE DRAWING: ADAM-809 (REV. C)
 - △ DENOTES RG59 COAXIAL CABLE
SEE DRAWING: ADAM-810 (REV. C)

CONTRACT NO.		RTS SYSTEMS BURBANK, CALIFORNIA, USA	
APPROVALS	DATE	ADAM INTERCOM MATRIX 448 X 448 XCP-954-48 / AUDIO ONLY JACKFIELD / SCSI DUAL BUS EXPANDER FULL REDUNDANT AUDIO INTERCONNECTION DIAGRAM	
DRAWN	W. YAU	18 JAN 2000	
CHECKED	W. YAU	18 JAN 2000	
ISSUED			
	SIZE	FSCM NO.	DWG NO.
	D		ADAM-DBX-149
	ADAM-DBX-149A	SCALE	SHEET



ADAM FRAME # 1

PORTS 1	CARD 1	AC-PC-8-9-9
2	SLOT 1	BACK CARD 7 1
3	16	BACK CARD 7 2
4	17	BACK CARD 7 3
5	24	BACK CARD 7 4
6	32	BACK CARD 7 5
7	40	BACK CARD 7 6
8	48	BACK CARD 7 8
9	56	BACK CARD 7 9
10	64	BACK CARD 7 10
11	72	BACK CARD 7 11
12	80	BACK CARD 7 12
13	88	BACK CARD 7 13
14	96	BACK CARD 7 14
15	104	BACK CARD 7 15
16	112	BACK CARD 7 16

ADAM FRAME # 2

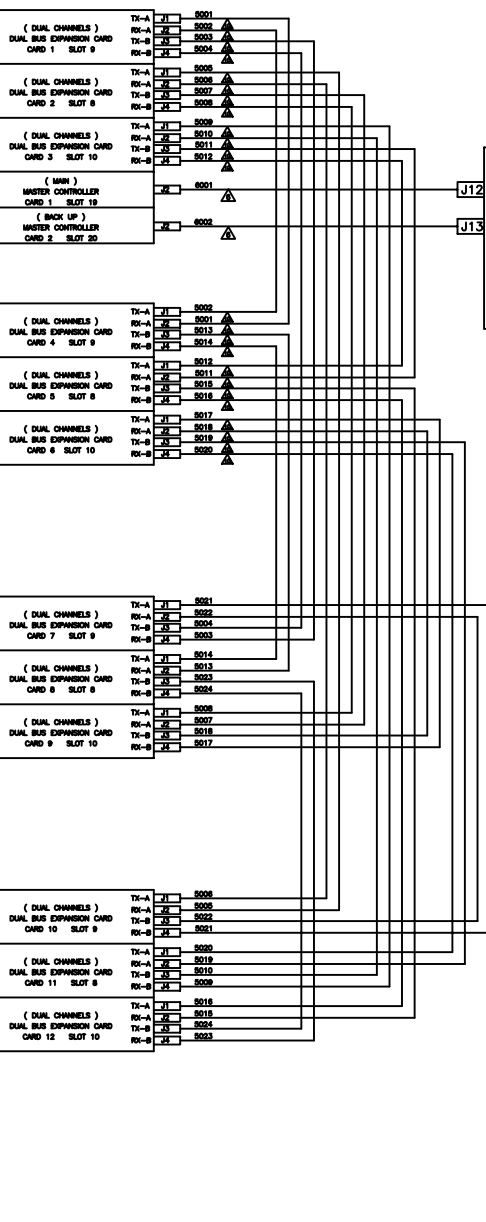
PORTS 113	CARD 15	AC-PC-8-9-9
114	SLOT 15	BACK CARD 7 1
115	120	BACK CARD 7 2
116	128	BACK CARD 7 3
117	136	BACK CARD 7 4
118	144	BACK CARD 7 5
119	152	BACK CARD 7 6
120	160	BACK CARD 7 8
121	168	BACK CARD 7 9
122	176	BACK CARD 7 10
123	184	BACK CARD 7 11
124	192	BACK CARD 7 12
125	200	BACK CARD 7 13
126	208	BACK CARD 7 14
127	216	BACK CARD 7 15
128	224	BACK CARD 7 16

ADAM FRAME # 3

PORTS 232	CARD 29	AC-PC-8-9-9
233	SLOT 29	BACK CARD 7 1
234	240	BACK CARD 7 2
235	248	BACK CARD 7 3
236	256	BACK CARD 7 4
237	264	BACK CARD 7 5
238	272	BACK CARD 7 6
239	280	BACK CARD 7 8
240	288	BACK CARD 7 9
241	296	BACK CARD 7 10
242	304	BACK CARD 7 11
243	312	BACK CARD 7 12
244	320	BACK CARD 7 13
245	328	BACK CARD 7 14
246	336	BACK CARD 7 15

ADAM FRAME # 4

PORTS 337	CARD 43	AC-PC-8-9-9
338	SLOT 43	BACK CARD 7 1
339	344	BACK CARD 7 2
340	352	BACK CARD 7 3
341	360	BACK CARD 7 4
342	368	BACK CARD 7 5
343	376	BACK CARD 7 6
344	384	BACK CARD 7 8
345	392	BACK CARD 7 9
346	400	BACK CARD 7 10
347	408	BACK CARD 7 11
348	416	BACK CARD 7 12
349	424	BACK CARD 7 13
350	432	BACK CARD 7 14
351	440	BACK CARD 7 15
352	448	BACK CARD 7 16



XCP-ADAM-MC MASTER CONTROLLER BREAKOUT PANEL 1

ADAM CSEIT

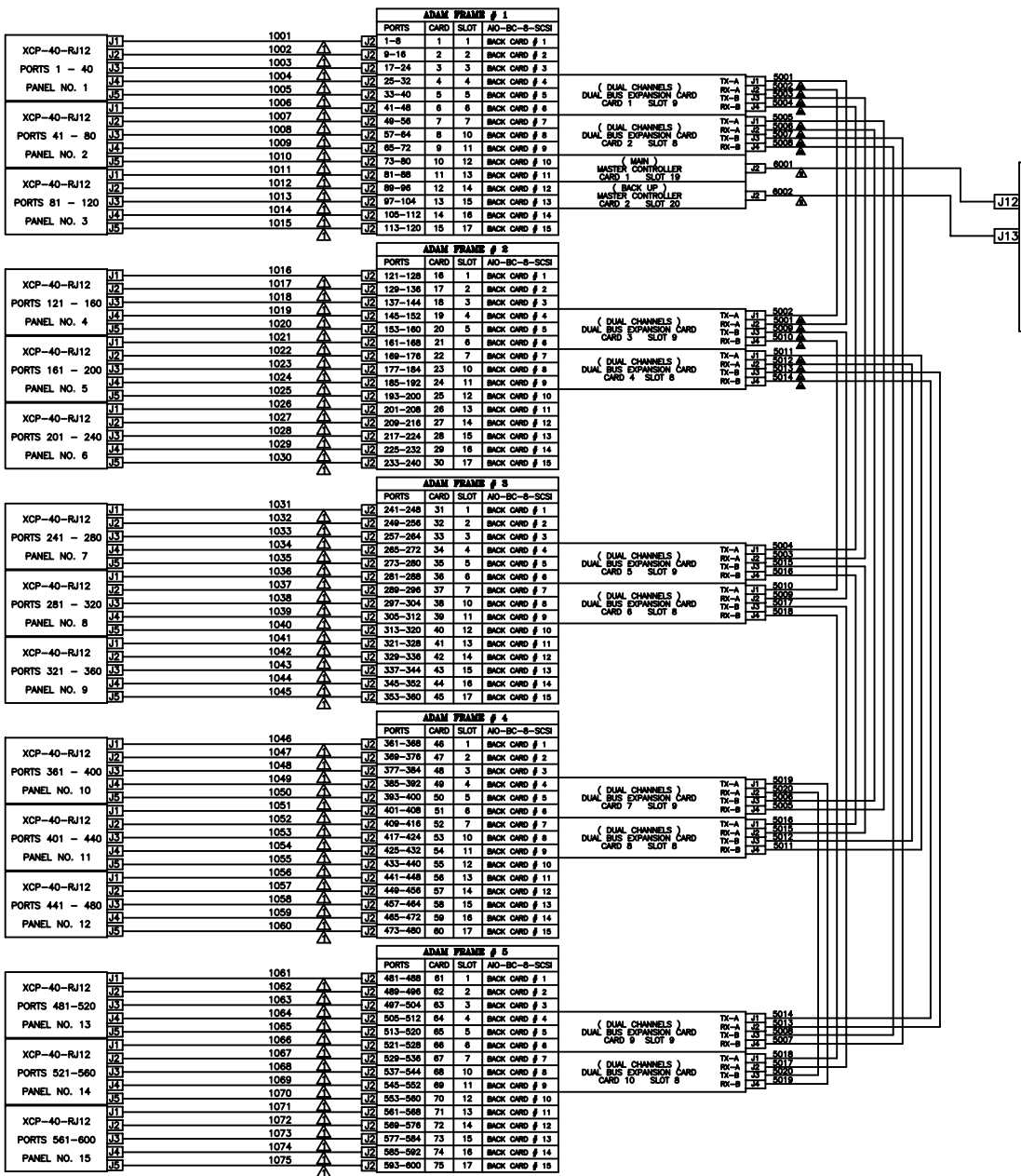
P.C.

TM9589 TRUNKING MASTER

U10-256 PAP-940 PAP-951 PAP-952 PAP-950-50

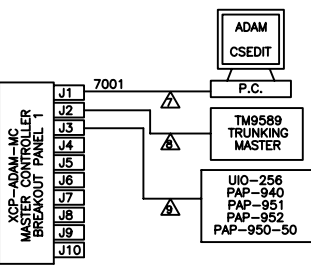
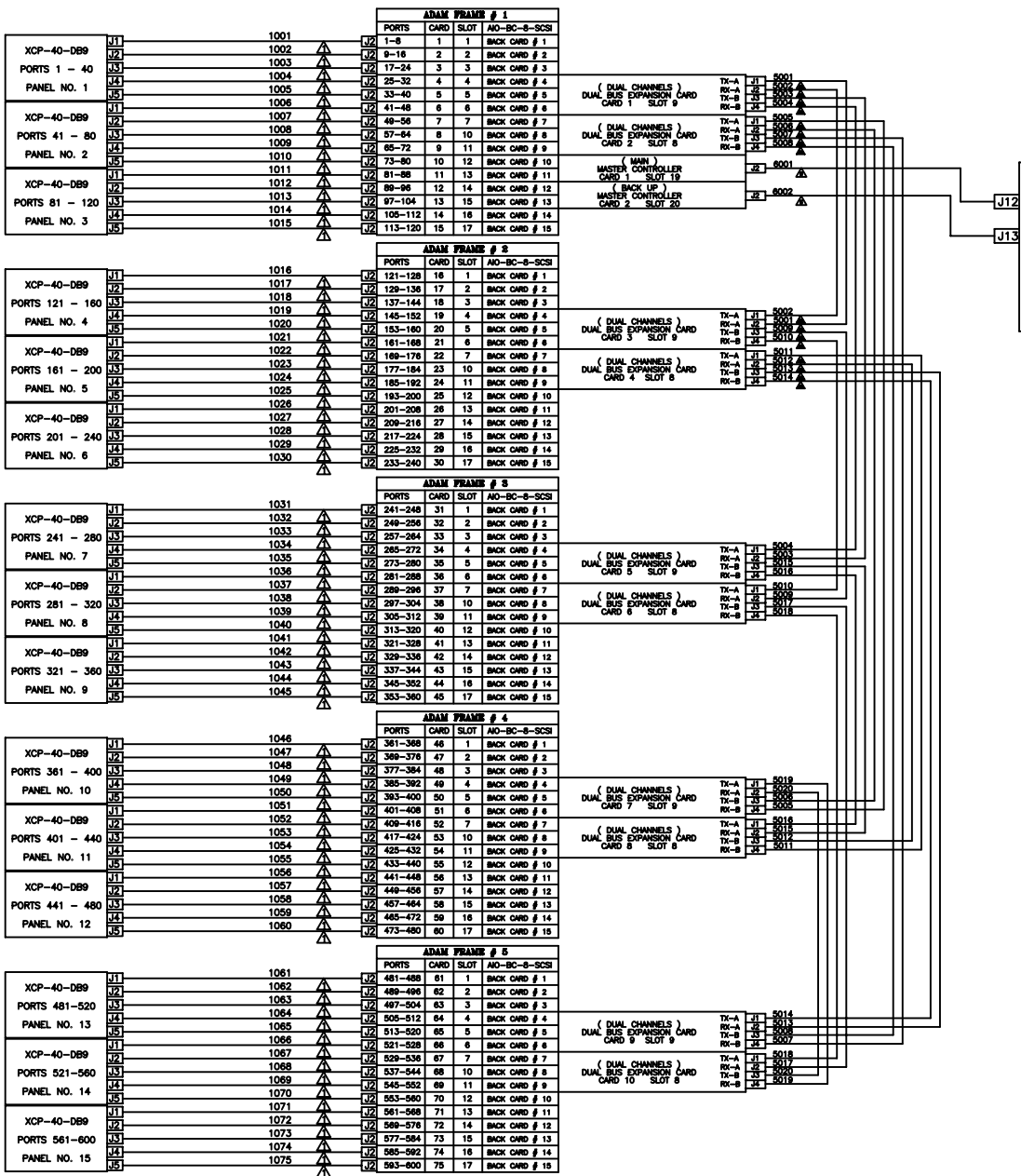
- CABLE LEGENDS:
- △ DENOTES 25 PAIRS SCSI-2 CABLE SEE DRAWING : ADAM-801 (REV. C)
 - △ DENOTES 25 PAIRS TELCO CABLE SEE DRAWING : ADAM-802 (REV. C)
 - △ DENOTES RJ45 TO 25 PAIRS TELCO SEE DRAWING : ADAM-803 (REV. C)
 - △ DENOTES RJ11 TO 25 PAIRS TELCO SEE DRAWING : ADAM-804 (REV. C)
 - △ DENOTES DE9P TO 25 PAIRS TELCO SEE DRAWING : ADAM-805 (REV. C)
 - △ DENOTES 68 PINS SCSI-2 CABLE SEE DRAWING : ADAM-806 (REV. C)
 - △ DENOTES RS232C CABLE SEE DRAWING : ADAM-807 (REV. C)
 - △ DENOTES RS485, RS422 CABLE SEE DRAWING : ADAM-808 (REV. C)
 - △ DENOTES RS485 CABLE SEE DRAWING : ADAM-809 (REV. C)
 - △ DENOTES RG59 COAXIAL CABLE SEE DRAWING : ADAM-810 (REV. C)

CONTRACT NO.		RTS SYSTEMS BURBANK, CALIFORNIA, USA	
APPROVALS	DATE	ADAM INTERCOM MATRIX 448 X 448 XCP-954-48 / AUDIO ONLY JACKFIELD / RJ DUAL BUS EXPANDER FULL REDUNDANT AUDIO INTERCONNECTION DIAGRAM	
DRAWN	W. YAU	18 JAN 2000	
CHECKED	W. YAU	18 JAN 2000	
ISSUED	D		
SIZE	FSCM NO.	DWG NO.	REV
ADAM-DBX-150A		ADAM-DBX-150	A
SCALE		SHEET	



- CABLE LEGENDS:
- △ DENOTES 25 PAIRS SCSI-2 CABLE
SEE DRAWING : ADAM-801 (REV. C)
 - △ DENOTES 25 PAIRS TELCO CABLE
SEE DRAWING : ADAM-802 (REV. C)
 - △ DENOTES RJ45 TO 25 PAIRS TELCO
SEE DRAWING : ADAM-803 (REV. C)
 - △ DENOTES RJ11 TO 25 PAIRS TELCO
SEE DRAWING : ADAM-804 (REV. C)
 - △ DENOTES DESP TO 25 PAIRS TELCO
SEE DRAWING : ADAM-805 (REV. C)
 - △ DENOTES 68 PINS SCSI-2 CABLE
SEE DRAWING : ADAM-806 (REV. C)
 - △ DENOTES RS232C CABLE
SEE DRAWING : ADAM-807 (REV. C)
 - △ DENOTES RS485, RS422 CABLE
SEE DRAWING : ADAM-808 (REV. C)
 - △ DENOTES RS485 CABLE
SEE DRAWING : ADAM-809 (REV. C)
 - △ DENOTES RG59 COAXIAL CABLE
SEE DRAWING : ADAM-810 (REV. C)

CONTRACT NO.		RTS SYSTEMS BURBANK, CALIFORNIA, USA	
APPROVALS	DATE	ADAM INTERCOM MATRIX 600 X 600	
DRAWN	18 JAN 2000	XCP-40-RU12 / SCSI	
CHECKED	18 JAN 2000	DUAL BUS EXPANDER NON REDUNDANT AUDIO INTERCONNECTION DIAGRAM	
ISSUED	18 JAN 2000	SIZE	FSCM NO. DWG NO. REV
		D	ADAM-DBX-151 A
ADAM-DBX-151A		SCALE	SHEET



- CABLE LEGENDS:
- △ DENOTES 25 PAIRS SCSI-2 CABLE
SEE DRAWING: ADAM-801 (REV. C)
 - △ DENOTES 25 PAIRS TELCO CABLE
SEE DRAWING: ADAM-802 (REV. C)
 - △ DENOTES RJ45 TO 25 PAIRS TELCO
SEE DRAWING: ADAM-803 (REV. C)
 - △ DENOTES RJ11 TO 25 PAIRS TELCO
SEE DRAWING: ADAM-804 (REV. C)
 - △ DENOTES DB9P TO 25 PAIRS TELCO
SEE DRAWING: ADAM-805 (REV. C)
 - △ DENOTES 68 PINS SCSI-2 CABLE
SEE DRAWING: ADAM-806 (REV. C)
 - △ DENOTES RS232C CABLE
SEE DRAWING: ADAM-807 (REV. C)
 - △ DENOTES RS485, RS422 CABLE
SEE DRAWING: ADAM-808 (REV. C)
 - △ DENOTES RS485 CABLE
SEE DRAWING: ADAM-809 (REV. C)
 - △ DENOTES RG59 COAXIAL CABLE
SEE DRAWING: ADAM-810 (REV. C)

CONTRACT NO.		RTS SYSTEMS BURBANK, CALIFORNIA, USA	
APPROVALS	DATE	ADAM INTERCOM MATRIX 600 X 600 XCP-40-DB9 / SCSI DUAL BUS EXPANDER NON REDUNDANT AUDIO INTERCONNECTION DIAGRAM	
DRAWN	18 JAN 2000	W. YAU	
CHECKED	18 JAN 2000	W. YAU	
ISSUED		SIZE	FSCM NO. DWG NO. REV
		D	ADAM-DBX-152 A
ADAM-DBX-152A		SCALE	SHEET

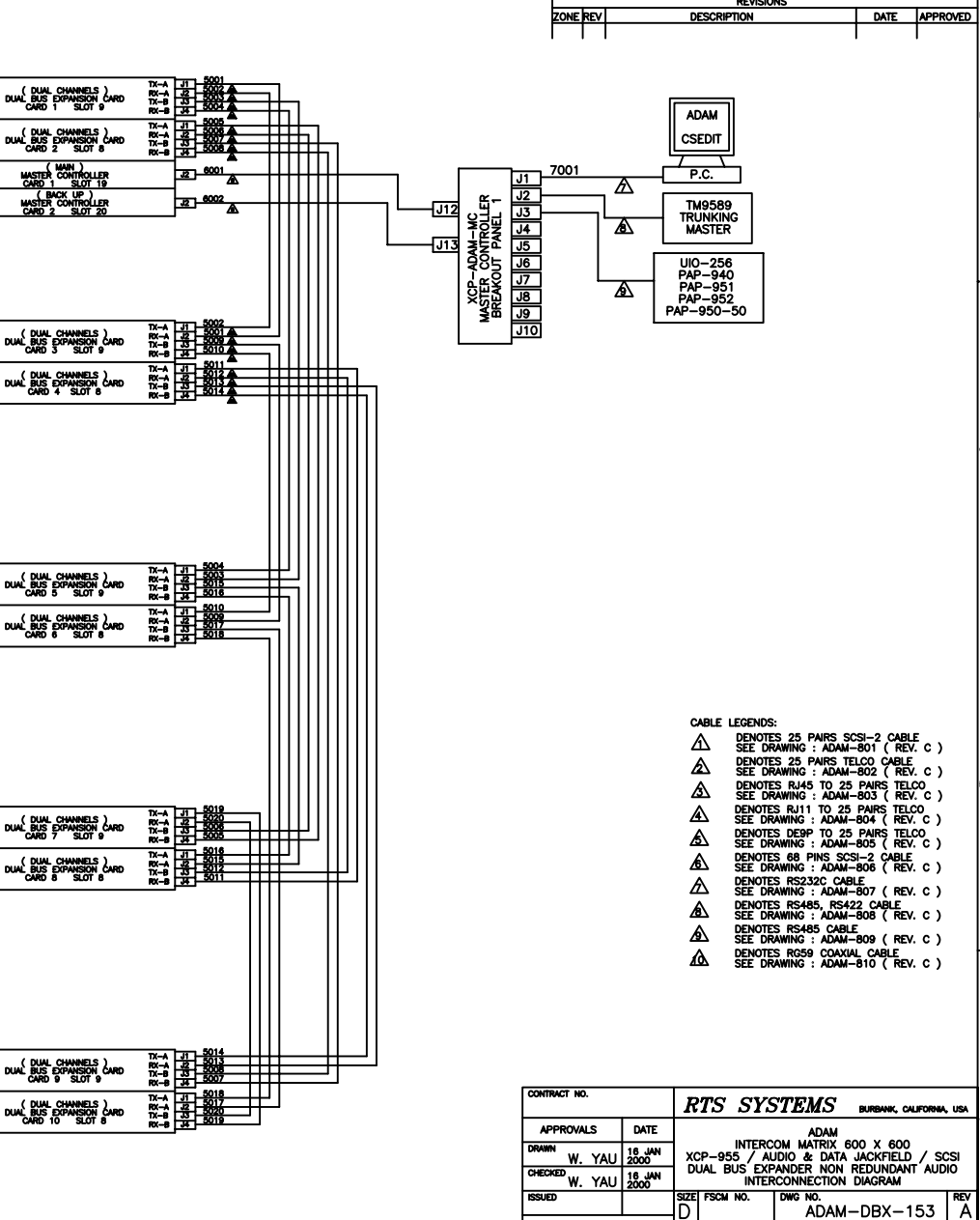
STATION BREAKOUT PANEL	ADAPTOR AUDIO AND DATA	ADAM FRAME # 1	PORTS	CARD	SLOT	AO-BC-B-SCSI
1001	IN AUDIO IN 1-24	1101	1-8	1	1	BACK CARD # 1
1002	OUT AUDIO OUT 1-24	1102	9-16	2	2	BACK CARD # 2
2001	IN KP DATA 1-24	2101	17-24	3	3	BACK CARD # 3
1003	IN AUDIO IN 25-48	1103	25-32	4	4	BACK CARD # 4
1004	OUT AUDIO OUT 25-48	1104	33-40	5	5	BACK CARD # 5
2002	IN KP DATA 25-48	2102	41-48	6	6	BACK CARD # 6
1005	IN AUDIO IN 49-72	1105	49-56	7	7	BACK CARD # 7
1006	OUT AUDIO OUT 49-72	1106	57-64	8	10	BACK CARD # 8
2003	IN KP DATA 49-72	2103	65-72	9	11	BACK CARD # 9
1007	IN AUDIO IN 73-96	1107	73-80	10	12	BACK CARD # 10
1008	OUT AUDIO OUT 73-96	1108	81-88	11	13	BACK CARD # 11
2004	IN KP DATA 73-96	2104	89-96	12	14	BACK CARD # 12
1009	IN AUDIO IN 97-120	1109	97-104	13	15	BACK CARD # 13
1010	OUT AUDIO OUT 97-120	1110	105-112	14	16	BACK CARD # 14
2005	IN KP DATA 97-120	2105	113-120	15	17	BACK CARD # 15

STATION BREAKOUT PANEL	ADAPTOR AUDIO AND DATA	ADAM FRAME # 2	PORTS	CARD	SLOT	AO-BC-B-SCSI
1011	IN AUDIO IN 121-144	1111	121-128	16	1	BACK CARD # 1
1012	OUT AUDIO OUT 121-144	1112	129-136	17	2	BACK CARD # 2
2006	IN KP DATA 121-144	2106	137-144	18	3	BACK CARD # 3
1013	IN AUDIO IN 145-168	1113	145-152	19	4	BACK CARD # 4
1014	OUT AUDIO OUT 145-168	1114	153-160	20	5	BACK CARD # 5
2007	IN KP DATA 145-168	2107	161-168	21	6	BACK CARD # 6
1015	IN AUDIO IN 169-192	1115	169-176	22	7	BACK CARD # 7
1016	OUT AUDIO OUT 169-192	1116	177-184	23	10	BACK CARD # 8
2008	IN KP DATA 169-192	2108	185-192	24	11	BACK CARD # 9
1017	IN AUDIO IN 193-216	1117	193-200	25	12	BACK CARD # 10
1018	OUT AUDIO OUT 193-216	1118	201-208	26	13	BACK CARD # 11
2009	IN KP DATA 193-216	2109	209-216	27	14	BACK CARD # 12
1019	IN AUDIO IN 217-240	1119	217-224	28	15	BACK CARD # 13
1020	OUT AUDIO OUT 217-240	1120	225-232	29	16	BACK CARD # 14
2010	IN KP DATA 217-240	2110	233-240	30	17	BACK CARD # 15

STATION BREAKOUT PANEL	ADAPTOR AUDIO AND DATA	ADAM FRAME # 3	PORTS	CARD	SLOT	AO-BC-B-SCSI
1021	IN AUDIO IN 241-264	1121	241-248	31	1	BACK CARD # 1
1022	OUT AUDIO OUT 241-264	1122	249-256	32	2	BACK CARD # 2
2011	IN KP DATA 241-264	2111	257-264	33	3	BACK CARD # 3
1023	IN AUDIO IN 265-288	1123	265-272	34	4	BACK CARD # 4
1024	OUT AUDIO OUT 265-288	1124	273-280	35	5	BACK CARD # 5
2012	IN KP DATA 265-288	2112	281-288	36	6	BACK CARD # 6
1025	IN AUDIO IN 289-312	1125	289-296	37	7	BACK CARD # 7
1026	OUT AUDIO OUT 289-312	1126	297-304	38	10	BACK CARD # 8
2013	IN KP DATA 289-312	2113	305-312	39	11	BACK CARD # 9
1027	IN AUDIO IN 313-336	1127	313-320	40	12	BACK CARD # 10
1028	OUT AUDIO OUT 313-336	1128	321-328	41	13	BACK CARD # 11
2014	IN KP DATA 313-336	2114	329-336	42	14	BACK CARD # 12
1029	IN AUDIO IN 337-360	1129	337-344	43	15	BACK CARD # 13
1030	OUT AUDIO OUT 337-360	1130	345-352	44	16	BACK CARD # 14
2015	IN KP DATA 337-360	2115	353-360	45	17	BACK CARD # 15

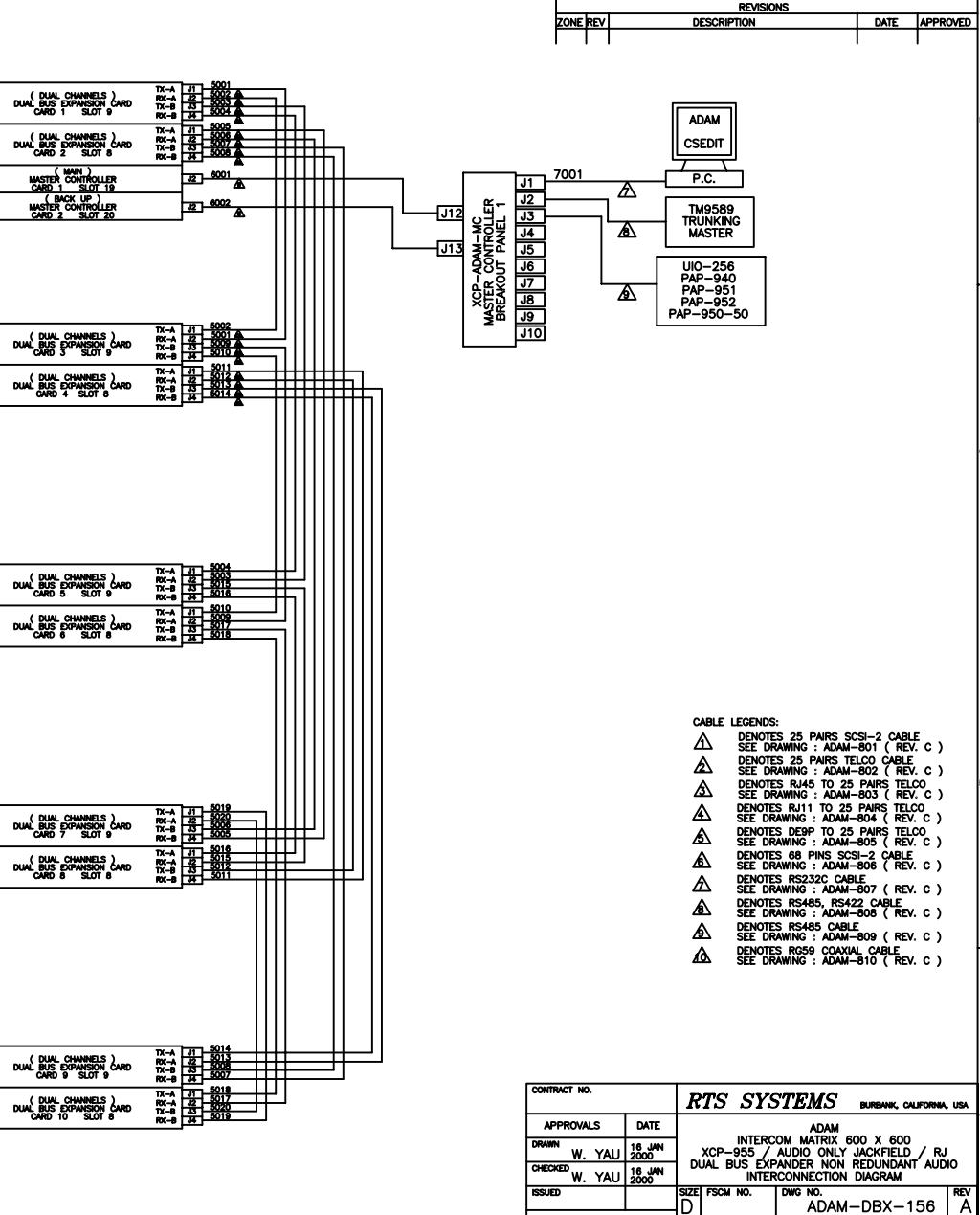
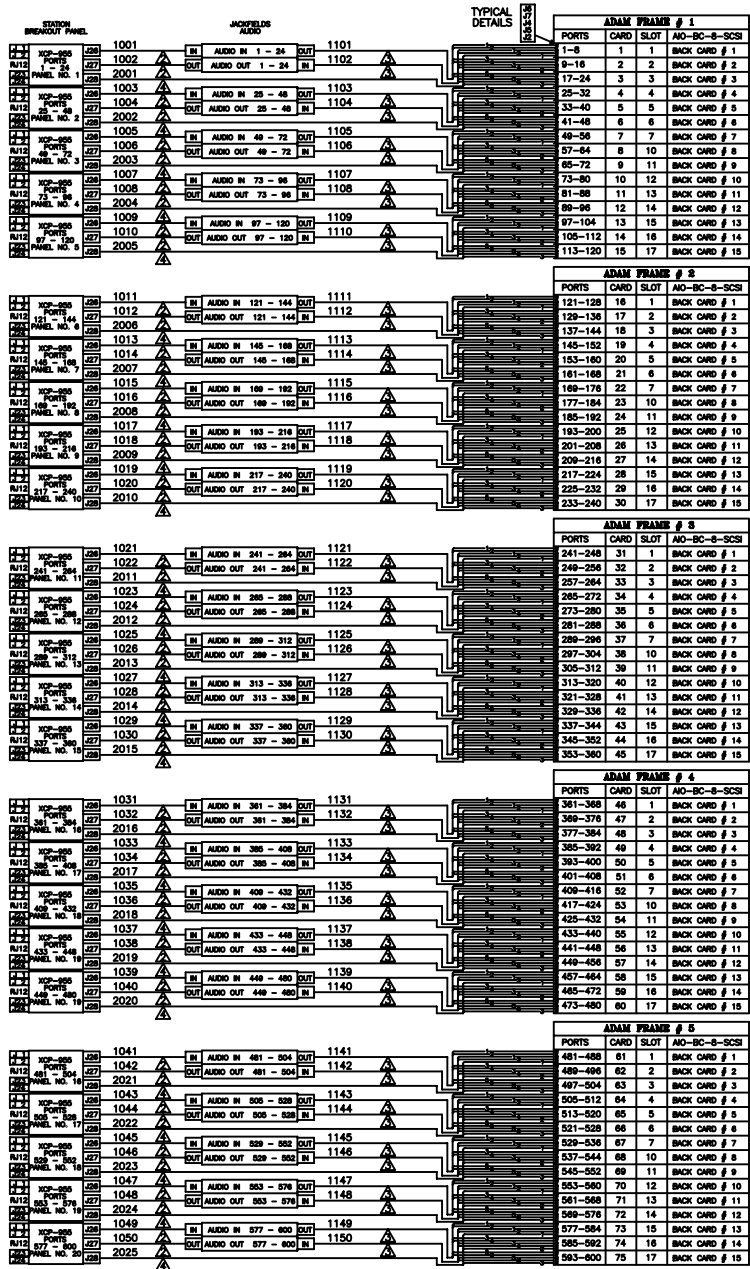
STATION BREAKOUT PANEL	ADAPTOR AUDIO AND DATA	ADAM FRAME # 4	PORTS	CARD	SLOT	AO-BC-B-SCSI
1031	IN AUDIO IN 361-384	1131	361-368	46	1	BACK CARD # 1
1032	OUT AUDIO OUT 361-384	1132	369-376	47	2	BACK CARD # 2
2016	IN KP DATA 361-384	2116	377-384	48	3	BACK CARD # 3
1033	IN AUDIO IN 385-408	1133	385-392	49	4	BACK CARD # 4
1034	OUT AUDIO OUT 385-408	1134	393-400	50	5	BACK CARD # 5
2017	IN KP DATA 385-408	2117	401-408	51	6	BACK CARD # 6
1035	IN AUDIO IN 409-432	1135	409-416	52	7	BACK CARD # 7
1036	OUT AUDIO OUT 409-432	1136	417-424	53	10	BACK CARD # 8
2018	IN KP DATA 409-432	2118	425-432	54	11	BACK CARD # 9
1037	IN AUDIO IN 433-456	1137	433-440	55	12	BACK CARD # 10
1038	OUT AUDIO OUT 433-456	1138	441-448	56	13	BACK CARD # 11
2019	IN KP DATA 433-456	2119	449-456	57	14	BACK CARD # 12
1039	IN AUDIO IN 457-480	1139	457-464	58	15	BACK CARD # 13
1040	OUT AUDIO OUT 457-480	1140	465-472	59	16	BACK CARD # 14
2020	IN KP DATA 457-480	2120	473-480	60	17	BACK CARD # 15

STATION BREAKOUT PANEL	ADAPTOR AUDIO AND DATA	ADAM FRAME # 5	PORTS	CARD	SLOT	AO-BC-B-SCSI
1041	IN AUDIO IN 481-504	1141	481-488	61	1	BACK CARD # 1
1042	OUT AUDIO OUT 481-504	1142	489-496	62	2	BACK CARD # 2
2021	IN KP DATA 481-504	2121	497-504	63	3	BACK CARD # 3
1043	IN AUDIO IN 505-528	1143	505-512	64	4	BACK CARD # 4
1044	OUT AUDIO OUT 505-528	1144	513-520	65	5	BACK CARD # 5
2022	IN KP DATA 505-528	2122	521-528	66	6	BACK CARD # 6
1045	IN AUDIO IN 529-552	1145	529-536	67	7	BACK CARD # 7
1046	OUT AUDIO OUT 529-552	1146	537-544	68	10	BACK CARD # 8
2023	IN KP DATA 529-552	2123	545-552	69	11	BACK CARD # 9
1047	IN AUDIO IN 553-576	1147	553-560	70	12	BACK CARD # 10
1048	OUT AUDIO OUT 553-576	1148	561-568	71	13	BACK CARD # 11
2024	IN KP DATA 553-576	2124	569-576	72	14	BACK CARD # 12
1049	IN AUDIO IN 577-600	1149	577-584	73	15	BACK CARD # 13
1050	OUT AUDIO OUT 577-600	1150	585-592	74	16	BACK CARD # 14
2025	IN KP DATA 577-600	2125	593-600	75	17	BACK CARD # 15

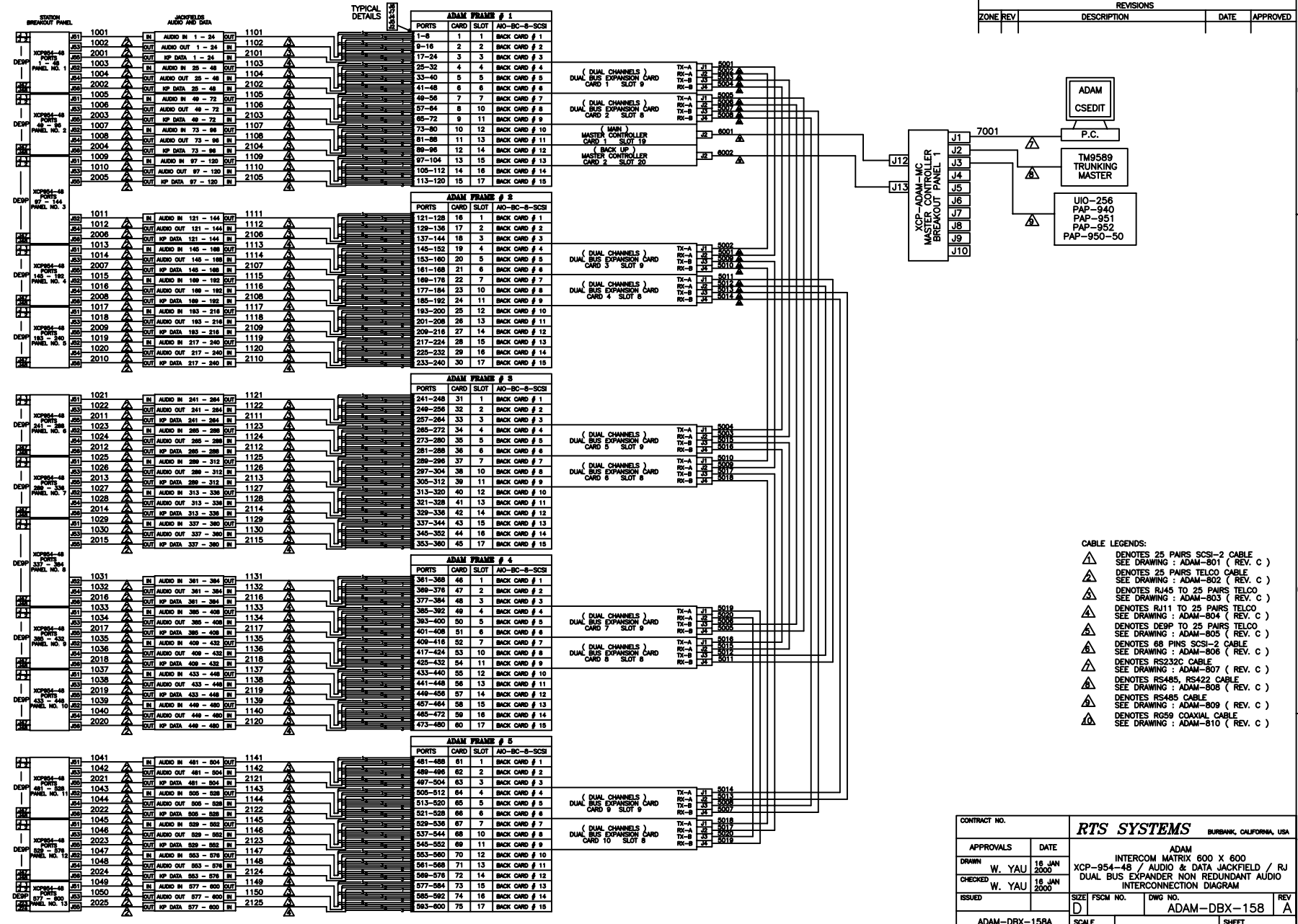


- CABLE LEGENDS:
- △ DENOTES 25 PAIRS SCSI-2 CABLE SEE DRAWING: ADAM-801 (REV. C)
 - △ DENOTES 25 PAIRS TELCO CABLE SEE DRAWING: ADAM-802 (REV. C)
 - △ DENOTES RJ45 TO 25 PAIRS TELCO SEE DRAWING: ADAM-803 (REV. C)
 - △ DENOTES RJ11 TO 25 PAIRS TELCO SEE DRAWING: ADAM-804 (REV. C)
 - △ DENOTES DESP TO 25 PAIRS TELCO SEE DRAWING: ADAM-805 (REV. C)
 - △ DENOTES 68 PINS SCSI-2 CABLE SEE DRAWING: ADAM-806 (REV. C)
 - △ DENOTES RS232C CABLE SEE DRAWING: ADAM-807 (REV. C)
 - △ DENOTES RS485, RS422 CABLE SEE DRAWING: ADAM-808 (REV. C)
 - △ DENOTES RS485 CABLE SEE DRAWING: ADAM-809 (REV. C)
 - △ DENOTES RG59 COAXIAL CABLE SEE DRAWING: ADAM-810 (REV. C)

CONTRACT NO.		DATE	
APPROVALS		DATE	
DRAWN W. YAU		18 JAN 2000	
CHECKED W. YAU		18 JAN 2000	
ISSUED		DATE	
ADAM-DBX-153A		SCALE	
RTS SYSTEMS		BURBANK, CALIFORNIA, USA	
INTERCOM MATRIX 600 X 600		XCP-955 AUDIO & DATA JACKFIELD / SCSI	
DUAL BUS EXPANDER NON REDUNDANT AUDIO		INTERCONNECTION DIAGRAM	
SIZE D	FSCM NO.	DWG NO.	REV
		ADAM-DBX-153	A
ADAM-DBX-153A		SHEET	



STATION BREAKOUT PANEL	ADAM FRAME # 1	ADAM FRAME # 2	ADAM FRAME # 3	ADAM FRAME # 4	ADAM FRAME # 5																																			
DESP XCP-ADAM-48 PANEL NO. 1	1001	IN	AUDIO IN 1 - 24	OUT	1101	IN	1201	IN	1301	IN	1401	IN	1501	IN	1601	IN	1701	IN	1801	IN	1901	IN	2001	IN	2101	IN	2201	IN	2301	IN	2401	IN								
	DESP XCP-ADAM-48 PANEL NO. 2	1002	OUT	AUDIO OUT 1 - 24	IN	1102	OUT	1202	OUT	1302	OUT	1402	OUT	1502	OUT	1602	OUT	1702	OUT	1802	OUT	1902	OUT	2002	OUT	2102	OUT	2202	OUT	2302	OUT	2402	OUT							
		DESP XCP-ADAM-48 PANEL NO. 3	1003	IN	HP DATA 1 - 24	OUT	1103	IN	1203	IN	1303	IN	1403	IN	1503	IN	1603	IN	1703	IN	1803	IN	1903	IN	2003	IN	2103	IN	2203	IN	2303	IN	2403	IN						
			DESP XCP-ADAM-48 PANEL NO. 4	1004	OUT	AUDIO OUT 25 - 48	IN	1104	OUT	1204	OUT	1304	OUT	1404	OUT	1504	OUT	1604	OUT	1704	OUT	1804	OUT	1904	OUT	2004	OUT	2104	OUT	2204	OUT	2304	OUT	2404	OUT					
				DESP XCP-ADAM-48 PANEL NO. 5	1005	IN	HP DATA 25 - 48	OUT	1105	IN	1205	IN	1305	IN	1405	IN	1505	IN	1605	IN	1705	IN	1805	IN	1905	IN	2005	IN	2105	IN	2205	IN	2305	IN	2405	IN				
					DESP XCP-ADAM-48 PANEL NO. 6	1006	OUT	AUDIO OUT 49 - 72	IN	1106	OUT	1206	OUT	1306	OUT	1406	OUT	1506	OUT	1606	OUT	1706	OUT	1806	OUT	1906	OUT	2006	OUT	2106	OUT	2206	OUT	2306	OUT	2406	OUT			
						DESP XCP-ADAM-48 PANEL NO. 7	1007	IN	HP DATA 49 - 72	OUT	1107	IN	1207	IN	1307	IN	1407	IN	1507	IN	1607	IN	1707	IN	1807	IN	1907	IN	2007	IN	2107	IN	2207	IN	2307	IN	2407	IN		
							DESP XCP-ADAM-48 PANEL NO. 8	1008	OUT	AUDIO OUT 73 - 96	IN	1108	OUT	1208	OUT	1308	OUT	1408	OUT	1508	OUT	1608	OUT	1708	OUT	1808	OUT	1908	OUT	2008	OUT	2108	OUT	2208	OUT	2308	OUT	2408	OUT	
								DESP XCP-ADAM-48 PANEL NO. 9	1009	IN	HP DATA 73 - 96	OUT	1109	IN	1209	IN	1309	IN	1409	IN	1509	IN	1609	IN	1709	IN	1809	IN	1909	IN	2009	IN	2109	IN	2209	IN	2309	IN	2409	IN
									DESP XCP-ADAM-48 PANEL NO. 10	1010	OUT	AUDIO OUT 97 - 120	IN	1110	OUT	1210	OUT	1310	OUT	1410	OUT	1510	OUT	1610	OUT	1710	OUT	1810	OUT	1910	OUT	2010	OUT	2110	OUT	2210	OUT	2310	OUT	2410
DESP XCP-ADAM-48 PANEL NO. 11										1011	IN	HP DATA 97 - 120	OUT	1111	IN	1211	IN	1311	IN	1411	IN	1511	IN	1611	IN	1711	IN	1811	IN	1911	IN	2011	IN	2111	IN	2211	IN	2311	IN	2411
	DESP XCP-ADAM-48 PANEL NO. 12									1012	OUT	AUDIO OUT 121 - 144	IN	1112	OUT	1212	OUT	1312	OUT	1412	OUT	1512	OUT	1612	OUT	1712	OUT	1812	OUT	1912	OUT	2012	OUT	2112	OUT	2212	OUT	2312	OUT	2412
		DESP XCP-ADAM-48 PANEL NO. 13								1013	IN	HP DATA 121 - 144	OUT	1113	IN	1213	IN	1313	IN	1413	IN	1513	IN	1613	IN	1713	IN	1813	IN	1913	IN	2013	IN	2113	IN	2213	IN	2313	IN	2413
			DESP XCP-ADAM-48 PANEL NO. 14							1014	OUT	AUDIO OUT 145 - 168	IN	1114	OUT	1214	OUT	1314	OUT	1414	OUT	1514	OUT	1614	OUT	1714	OUT	1814	OUT	1914	OUT	2014	OUT	2114	OUT	2214	OUT	2314	OUT	2414
				DESP XCP-ADAM-48 PANEL NO. 15						1015	IN	HP DATA 145 - 168	OUT	1115	IN	1215	IN	1315	IN	1415	IN	1515	IN	1615	IN	1715	IN	1815	IN	1915	IN	2015	IN	2115	IN	2215	IN	2315	IN	2415
					DESP XCP-ADAM-48 PANEL NO. 16					1016	OUT	AUDIO OUT 169 - 192	IN	1116	OUT	1216	OUT	1316	OUT	1416	OUT	1516	OUT	1616	OUT	1716	OUT	1816	OUT	1916	OUT	2016	OUT	2116	OUT	2216	OUT	2316	OUT	2416
						DESP XCP-ADAM-48 PANEL NO. 17				1017	IN	HP DATA 169 - 192	OUT	1117	IN	1217	IN	1317	IN	1417	IN	1517	IN	1617	IN	1717	IN	1817	IN	1917	IN	2017	IN	2117	IN	2217	IN	2317	IN	2417
							DESP XCP-ADAM-48 PANEL NO. 18			1018	OUT	AUDIO OUT 193 - 216	IN	1118	OUT	1218	OUT	1318	OUT	1418	OUT	1518	OUT	1618	OUT	1718	OUT	1818	OUT	1918	OUT	2018	OUT	2118	OUT	2218	OUT	2318	OUT	2418
								DESP XCP-ADAM-48 PANEL NO. 19		1019	IN	HP DATA 193 - 216	OUT	1119	IN	1219	IN	1319	IN	1419	IN	1519	IN	1619	IN	1719	IN	1819	IN	1919	IN	2019	IN	2119	IN	2219	IN	2319	IN	2419
									DESP XCP-ADAM-48 PANEL NO. 20	1020	OUT	AUDIO OUT 217 - 240	IN	1120	OUT	1220	OUT	1320	OUT	1420	OUT	1520	OUT	1620	OUT	1720	OUT	1820	OUT	1920	OUT	2020	OUT	2120	OUT	2220	OUT	2320	OUT	2420
DESP XCP-ADAM-48 PANEL NO. 21										1021	IN	HP DATA 217 - 240	OUT	1121	IN	1221	IN	1321	IN	1421	IN	1521	IN	1621	IN	1721	IN	1821	IN	1921	IN	2021	IN	2121	IN	2221	IN	2321	IN	2421
	DESP XCP-ADAM-48 PANEL NO. 22									1022	OUT	AUDIO OUT 241 - 264	IN	1122	OUT	1222	OUT	1322	OUT	1422	OUT	1522	OUT	1622	OUT	1722	OUT	1822	OUT	1922	OUT	2022	OUT	2122	OUT	2222	OUT	2322	OUT	2422
		DESP XCP-ADAM-48 PANEL NO. 23								1023	IN	HP DATA 241 - 264	OUT	1123	IN	1223	IN	1323	IN	1423	IN	1523	IN	1623	IN	1723	IN	1823	IN	1923	IN	2023	IN	2123	IN	2223	IN	2323	IN	2423
			DESP XCP-ADAM-48 PANEL NO. 24							1024	OUT	AUDIO OUT 265 - 288	IN	1124	OUT	1224	OUT	1324	OUT	1424	OUT	1524	OUT	1624	OUT	1724	OUT	1824	OUT	1924	OUT	2024	OUT	2124	OUT	2224	OUT	2324	OUT	2424
				DESP XCP-ADAM-48 PANEL NO. 25						1025	IN	HP DATA 265 - 288	OUT	1125	IN	1225	IN	1325	IN	1425	IN	1525	IN	1625	IN	1725	IN	1825	IN	1925	IN	2025	IN	2125	IN	2225	IN	2325	IN	2425
					DESP XCP-ADAM-48 PANEL NO. 26					1026	OUT	AUDIO OUT 289 - 312	IN	1126	OUT	1226	OUT	1326	OUT	1426	OUT	1526	OUT	1626	OUT	1726	OUT	1826	OUT	1926	OUT	2026	OUT	2126	OUT	2226	OUT	2326	OUT	2426
						DESP XCP-ADAM-48 PANEL NO. 27				1027	IN	HP DATA 289 - 312	OUT	1127	IN	1227	IN	1327	IN	1427	IN	1527	IN	1627	IN	1727	IN	1827	IN	1927	IN	2027	IN	2127	IN	2227	IN	2327	IN	2427
							DESP XCP-ADAM-48 PANEL NO. 28			1028	OUT	AUDIO OUT 313 - 336	IN	1128	OUT	1228	OUT	1328	OUT	1428	OUT	1528	OUT	1628	OUT	1728	OUT	1828	OUT	1928	OUT	2028	OUT	2128	OUT	2228	OUT	2328	OUT	2428
								DESP XCP-ADAM-48 PANEL NO. 29		1029	IN	HP DATA 313 - 336	OUT	1129	IN	1229	IN	1329	IN	1429	IN	1529	IN	1629	IN	1729	IN	1829	IN	1929	IN	2029	IN	2129	IN	2229	IN	2329	IN	2429
									DESP XCP-ADAM-48 PANEL NO. 30	1030	OUT	AUDIO OUT 337 - 360	IN	1130	OUT	1230	OUT	1330	OUT	1430	OUT	1530	OUT	1630	OUT	1730	OUT	1830	OUT	1930	OUT	2030	OUT	2130	OUT	2230	OUT	2330	OUT	2430
DESP XCP-ADAM-48 PANEL NO. 31										1031	IN	HP DATA 337 - 360	OUT	1131	IN	1231	IN	1331	IN	1431	IN	1531	IN	1631	IN	1731	IN	1831	IN	1931	IN	2031	IN	2131	IN	2231	IN	2331	IN	2431
	DESP XCP-ADAM-48 PANEL NO. 32									1032	OUT	AUDIO OUT 361 - 384	IN	1132	OUT	1232	OUT	1332	OUT	1432	OUT	1532	OUT	1632	OUT	1732	OUT	1832	OUT	1932	OUT	2032	OUT	2132	OUT	2232	OUT	2332	OUT	2432
		DESP XCP-ADAM-48 PANEL NO. 33								1033	IN	HP DATA 361 - 384	OUT	1133	IN	1233	IN	1333	IN	1433	IN	1533	IN	1633	IN	1733	IN	1833	IN	1933	IN	2033	IN	2133	IN	2233	IN	2333	IN	2433
			DESP XCP-ADAM-48 PANEL NO. 34							1034	OUT	AUDIO OUT 385 - 408	IN	1134	OUT	1234	OUT	1334	OUT	1434	OUT	1534	OUT	1634	OUT	1734	OUT	1834	OUT	1934	OUT	2034	OUT	2134	OUT	2234	OUT	2334	OUT	2434
				DESP XCP-ADAM-48 PANEL NO. 35						1035	IN	HP DATA 385 - 408	OUT	1135	IN	1235	IN	1335	IN	1435	IN	1535	IN	1635	IN	1735	IN	1835	IN	1935	IN	2035	IN	2135	IN	2235	IN	2335	IN	2435
					DESP XCP-ADAM-48 PANEL NO. 36					1036	OUT	AUDIO OUT 409 - 432	IN	1136	OUT	1236	OUT	1336	OUT	1436	OUT	1536	OUT	1636	OUT	1736	OUT	1836	OUT	1936	OUT	2036	OUT	2136	OUT	2236	OUT	2336	OUT	2436
						DESP XCP-ADAM-48 PANEL NO. 37				1037	IN	HP DATA 409 - 432	OUT	1137	IN	1237	IN	1337	IN	1437	IN	1537	IN	1637	IN	1737	IN	1837	IN	1937	IN	2037	IN	2137	IN	2237	IN	2337	IN	2437
							DESP XCP-ADAM-48 PANEL NO. 38			1038	OUT	AUDIO OUT 433 - 456	IN	1138	OUT	1238	OUT	1338	OUT	1438	OUT	1538	OUT	1638	OUT	1738	OUT	1838	OUT	1938	OUT	2038	OUT	2138	OUT	2238	OUT	2338	OUT	2438
								DESP XCP-ADAM-48 PANEL NO. 39		1039	IN	HP DATA 433 - 456	OUT	1139	IN	1239	IN	1339	IN	1439	IN	1539	IN	1639	IN	1739	IN	1839	IN	1939	IN	2039	IN	2139	IN	2239	IN	2339	IN	2439
									DESP XCP-ADAM-48 PANEL NO. 40	1040	OUT	AUDIO OUT 457 - 480	IN	1140	OUT	1240	OUT	1340	OUT	1440	OUT	1540	OUT	1640	OUT	1740	OUT	1840	OUT	1940	OUT	2040	OUT	2140	OUT	2240	OUT	2340	OUT	2440
DESP XCP-ADAM-48 PANEL NO. 41										1041	IN	HP DATA 457 - 480	OUT	1141	IN	1241	IN	1341	IN	1441	IN	1541	IN	1641	IN	1741	IN	1841	IN	1941	IN	2041	IN	2141	IN	2241	IN	2341	IN	2441
	DESP XCP-ADAM-48 PANEL NO. 42									1042	OUT	AUDIO OUT 481 - 504	IN	1142	OUT	1242	OUT	1342	OUT	1442	OUT	1542	OUT	1642	OUT	1742	OUT	1842	OUT	1942	OUT	2042	OUT	2142	OUT	2242	OUT	2342	OUT	2442



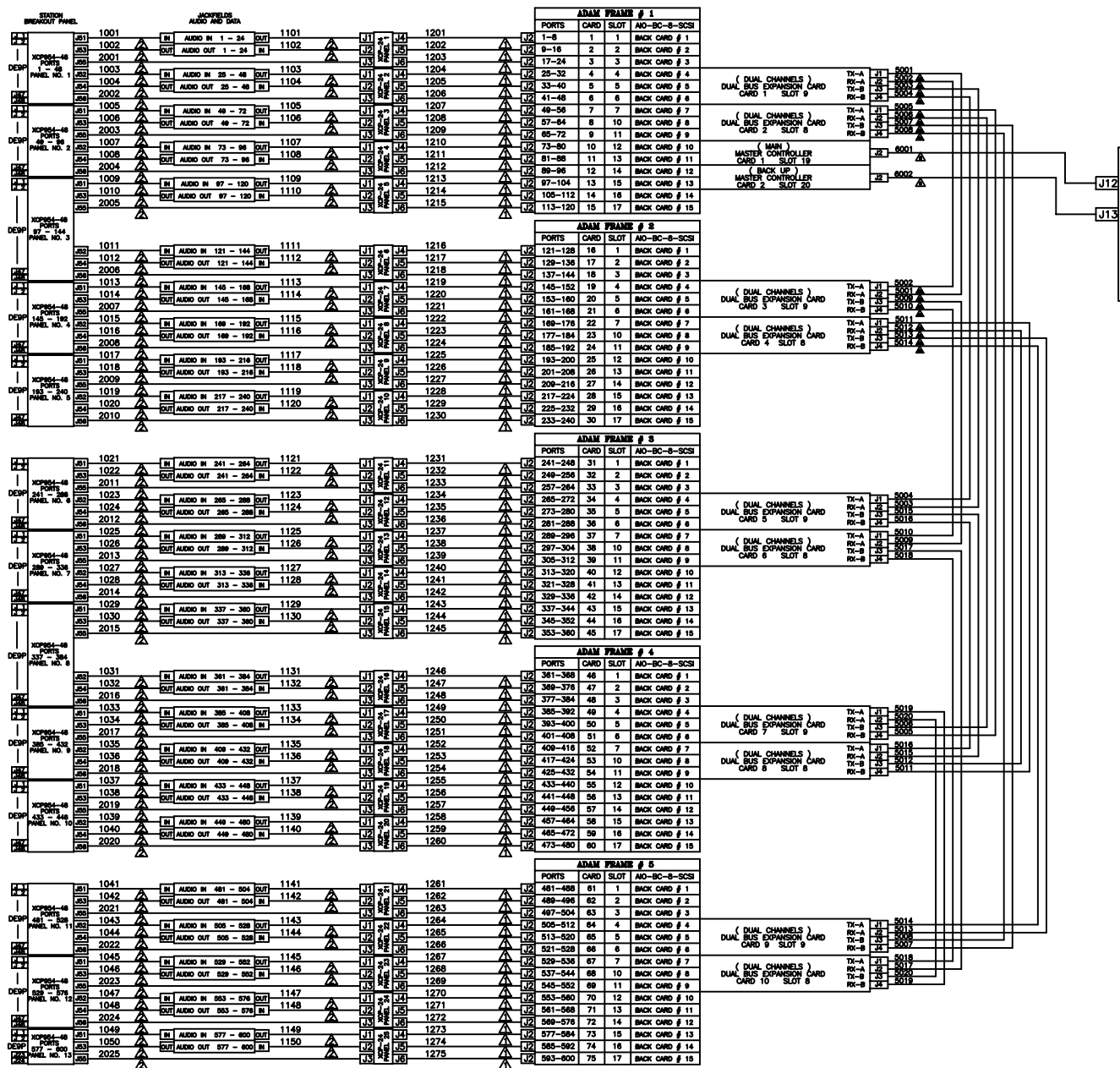
ZONE	REV	DESCRIPTION	REVISIONS	DATE	APPROVED

CONTRACT NO.		APPROVALS		DATE
APPROVALS		DATE		
DRAWN	W. YAU	18 JAN	2000	
CHECKED	W. YAU	18 JAN	2000	
ISSUED	D			
ADAM-DBX-158A		SCALE	SHEET	

RTS SYSTEMS BURBANK, CALIFORNIA, USA

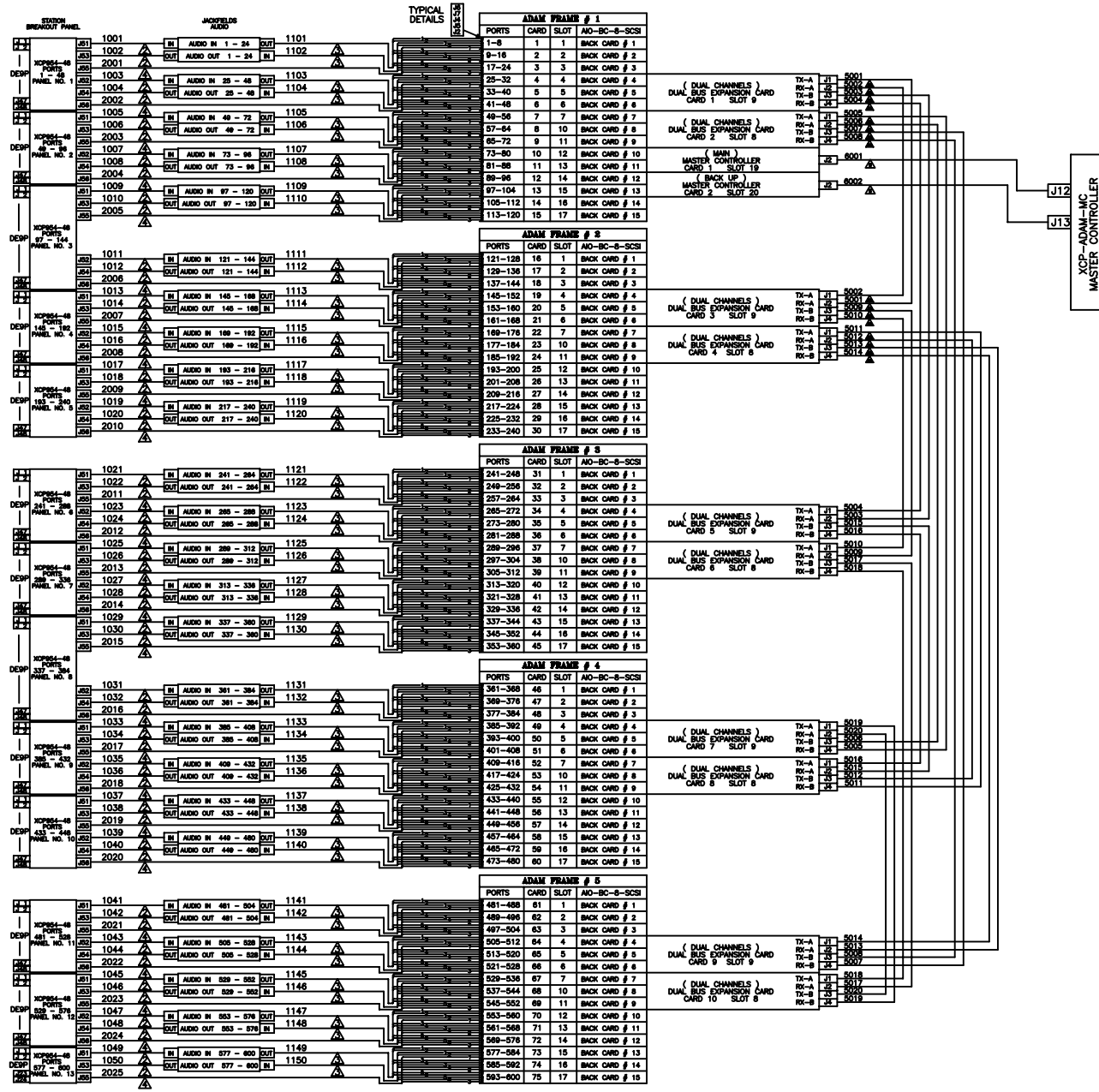
ADAM INTERCON MATRIX 600 X 600 XCP-954-48 / AUDIO & DATA JACKFIELD / RJ DUAL BUS EXPANDER NON REDUNDANT AUDIO INTERCONNECTION DIAGRAM

SIZE	FSCM NO.	DWG NO.	REV
D		ADAM-DBX-158	A

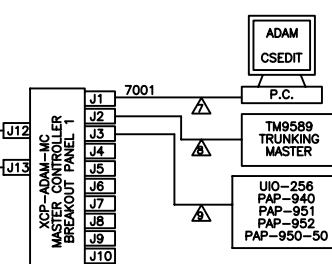


- CABLE LEGENDS:
- △ DENOTES 25 PAIRS SCSI-2 CABLE
SEE DRAWING: ADAM-801 (REV. C)
 - △ DENOTES 25 PAIRS TELCO CABLE
SEE DRAWING: ADAM-802 (REV. C)
 - △ DENOTES RJ45 TO 25 PAIRS TELCO
SEE DRAWING: ADAM-803 (REV. C)
 - △ DENOTES RJ11 TO 25 PAIRS TELCO
SEE DRAWING: ADAM-804 (REV. C)
 - △ DENOTES DESP TO 25 PAIRS TELCO
SEE DRAWING: ADAM-805 (REV. C)
 - △ DENOTES 68 PINS SCSI-2 CABLE
SEE DRAWING: ADAM-806 (REV. C)
 - △ DENOTES RS232C CABLE
SEE DRAWING: ADAM-807 (REV. C)
 - △ DENOTES RS485, RS422 CABLE
SEE DRAWING: ADAM-808 (REV. C)
 - △ DENOTES RS485 CABLE
SEE DRAWING: ADAM-809 (REV. C)
 - △ DENOTES RG59 COAXIAL CABLE
SEE DRAWING: ADAM-810 (REV. C)

CONTRACT NO.		RTS SYSTEMS BURBANK, CALIFORNIA, USA	
APPROVALS	DATE	ADAM INTERCOM MATRIX 600 X 600 XCP-954-48 AUDIO ONLY JACKFIELD / SCSI DUAL BUS EXPANDER NON REDUNDANT AUDIO INTERCONNECTION DIAGRAM	
DRAWN	W. YAU	18 JUN 2000	
CHECKED	W. YAU	18 JUN 2000	
ISSUED			
SIZE	FSCM NO.	DWG NO.	REV
D		ADAM-DBX-159	A
ADAM-DBX-159A		SCALE	SHEET

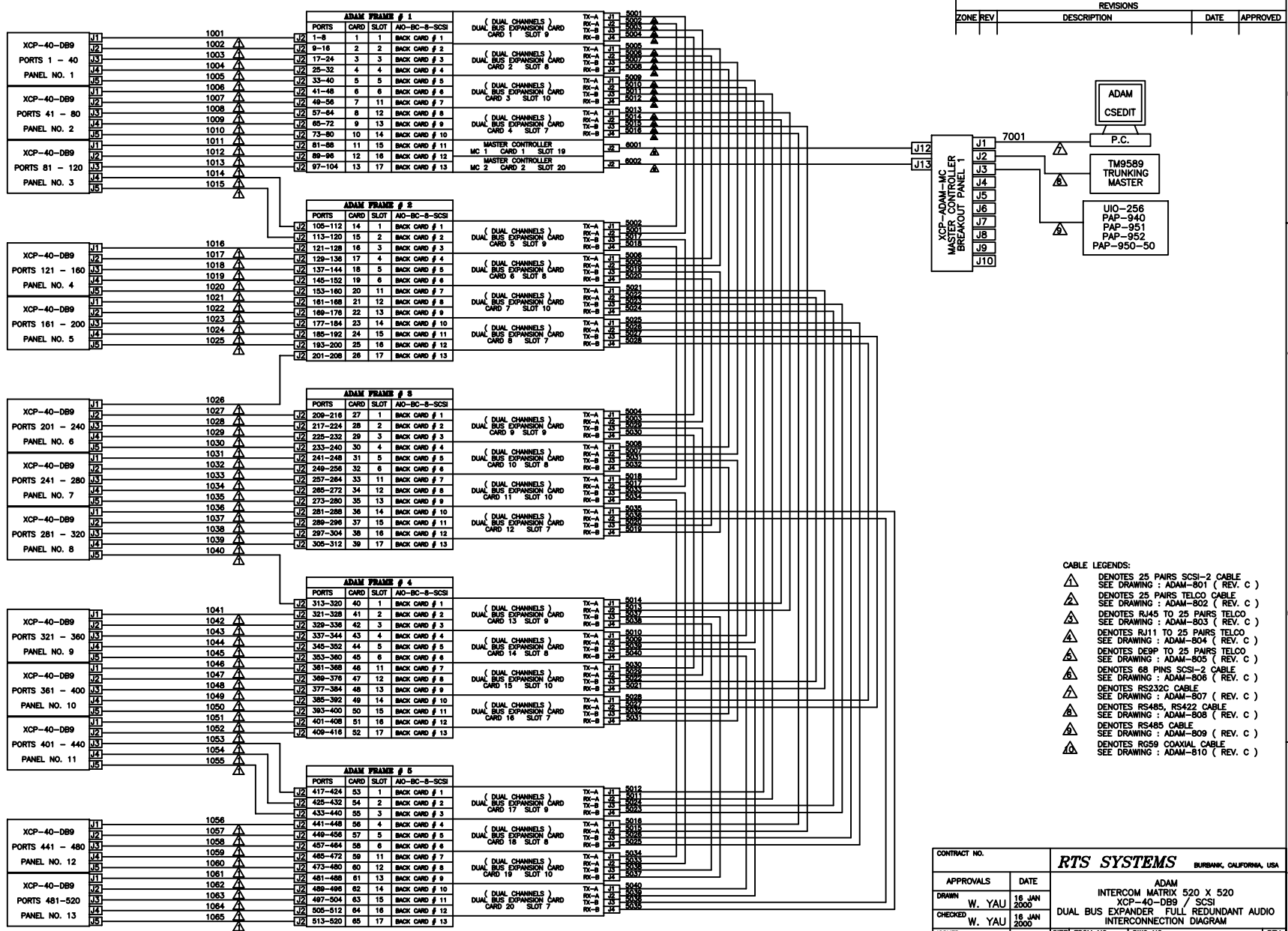


ZONE	REV	DESCRIPTION	REVISIONS	DATE	APPROVED



- CABLE LEGENDS:**
- △ DENOTES 25 PAIRS SCSI-2 CABLE
SEE DRAWING: ADAM-801 (REV. C)
 - △ DENOTES 25 PAIRS TELCO CABLE
SEE DRAWING: ADAM-802 (REV. C)
 - △ DENOTES RJ45 TO 25 PAIRS TELCO
SEE DRAWING: ADAM-803 (REV. C)
 - △ DENOTES RJ11 TO 25 PAIRS TELCO
SEE DRAWING: ADAM-804 (REV. C)
 - △ DENOTES DESP TO 25 PAIRS TELCO
SEE DRAWING: ADAM-805 (REV. C)
 - △ DENOTES 66 PINS SCSI-2 CABLE
SEE DRAWING: ADAM-806 (REV. C)
 - △ DENOTES RS232C CABLE
SEE DRAWING: ADAM-807 (REV. C)
 - △ DENOTES RS485, RS422 CABLE
SEE DRAWING: ADAM-808 (REV. C)
 - △ DENOTES RS485 CABLE
SEE DRAWING: ADAM-809 (REV. C)
 - △ DENOTES RG59 COAXIAL CABLE
SEE DRAWING: ADAM-810 (REV. C)

CONTRACT NO.		RTS SYSTEMS BURBANK, CALIFORNIA, USA	
APPROVALS	DATE	ADAM INTERCOM MATRIX 600 X 600 XCP-954-48 / AUDIO ONLY JACKFIELD / RJ DUAL BUS EXPANDER NON REDUNDANT AUDIO INTERCONNECTION DIAGRAM	
DRAWN	W. YAU	18 JAN 2000	
CHECKED	W. YAU	18 JAN 2000	
ISSUED			
SIZE	FSCM NO.	DWG NO.	REV
D		ADAM-DBX-160	A
ADAM-DBX-160A		SCALE	SHEET



ZONE REV	REVISIONS		DATE	APPROVED
	DESCRIPTION			

PORTS	CARD	SLOT	ADAM FRAME # 1
1-8	1	1	BACK CARD # 1
9-16	2	2	BACK CARD # 2
17-24	3	3	BACK CARD # 3
25-32	4	4	BACK CARD # 4
33-40	5	5	BACK CARD # 5
41-48	6	6	BACK CARD # 6
49-56	7	11	BACK CARD # 7
57-64	8	12	BACK CARD # 8
65-72	9	13	BACK CARD # 9
73-80	10	14	BACK CARD # 10
81-88	11	15	BACK CARD # 11
89-96	12	16	BACK CARD # 12
97-104	13	17	BACK CARD # 13

TX-A	TX-B	TX-C	TX-D	TX-E	TX-F	TX-G	TX-H	TX-I	TX-J
5001	5002	5003	5004	5005	5006	5007	5008	5009	5010
5011	5012	5013	5014	5015	5016	5017	5018	5019	5020
5021	5022	5023	5024	5025	5026	5027	5028	5029	5030
5031	5032	5033	5034	5035	5036	5037	5038	5039	5040
5041	5042	5043	5044	5045	5046	5047	5048	5049	5050
5051	5052	5053	5054	5055	5056	5057	5058	5059	5060
5061	5062	5063	5064	5065	5066	5067	5068	5069	5070
5071	5072	5073	5074	5075	5076	5077	5078	5079	5080
5081	5082	5083	5084	5085	5086	5087	5088	5089	5090
5091	5092	5093	5094	5095	5096	5097	5098	5099	5100
5101	5102	5103	5104	5105	5106	5107	5108	5109	5110
5111	5112	5113	5114	5115	5116	5117	5118	5119	5120
5121	5122	5123	5124	5125	5126	5127	5128	5129	5130
5131	5132	5133	5134	5135	5136	5137	5138	5139	5140
5141	5142	5143	5144	5145	5146	5147	5148	5149	5150
5151	5152	5153	5154	5155	5156	5157	5158	5159	5160
5161	5162	5163	5164	5165	5166	5167	5168	5169	5170
5171	5172	5173	5174	5175	5176	5177	5178	5179	5180
5181	5182	5183	5184	5185	5186	5187	5188	5189	5190
5191	5192	5193	5194	5195	5196	5197	5198	5199	5200
5201	5202	5203	5204	5205	5206	5207	5208	5209	5210
5211	5212	5213	5214	5215	5216	5217	5218	5219	5220
5221	5222	5223	5224	5225	5226	5227	5228	5229	5230
5231	5232	5233	5234	5235	5236	5237	5238	5239	5240
5241	5242	5243	5244	5245	5246	5247	5248	5249	5250
5251	5252	5253	5254	5255	5256	5257	5258	5259	5260
5261	5262	5263	5264	5265	5266	5267	5268	5269	5270
5271	5272	5273	5274	5275	5276	5277	5278	5279	5280
5281	5282	5283	5284	5285	5286	5287	5288	5289	5290
5291	5292	5293	5294	5295	5296	5297	5298	5299	5300
5301	5302	5303	5304	5305	5306	5307	5308	5309	5310
5311	5312	5313	5314	5315	5316	5317	5318	5319	5320
5321	5322	5323	5324	5325	5326	5327	5328	5329	5330
5331	5332	5333	5334	5335	5336	5337	5338	5339	5340
5341	5342	5343	5344	5345	5346	5347	5348	5349	5350
5351	5352	5353	5354	5355	5356	5357	5358	5359	5360
5361	5362	5363	5364	5365	5366	5367	5368	5369	5370
5371	5372	5373	5374	5375	5376	5377	5378	5379	5380
5381	5382	5383	5384	5385	5386	5387	5388	5389	5390
5391	5392	5393	5394	5395	5396	5397	5398	5399	5400
5401	5402	5403	5404	5405	5406	5407	5408	5409	5410
5411	5412	5413	5414	5415	5416	5417	5418	5419	5420
5421	5422	5423	5424	5425	5426	5427	5428	5429	5430
5431	5432	5433	5434	5435	5436	5437	5438	5439	5440
5441	5442	5443	5444	5445	5446	5447	5448	5449	5450
5451	5452	5453	5454	5455	5456	5457	5458	5459	5460
5461	5462	5463	5464	5465	5466	5467	5468	5469	5470
5471	5472	5473	5474	5475	5476	5477	5478	5479	5480
5481	5482	5483	5484	5485	5486	5487	5488	5489	5490
5491	5492	5493	5494	5495	5496	5497	5498	5499	5500
5501	5502	5503	5504	5505	5506	5507	5508	5509	5510
5511	5512	5513	5514	5515	5516	5517	5518	5519	5520
5521	5522	5523	5524	5525	5526	5527	5528	5529	5530
5531	5532	5533	5534	5535	5536	5537	5538	5539	5540
5541	5542	5543	5544	5545	5546	5547	5548	5549	5550
5551	5552	5553	5554	5555	5556	5557	5558	5559	5560
5561	5562	5563	5564	5565	5566	5567	5568	5569	5570
5571	5572	5573	5574	5575	5576	5577	5578	5579	5580
5581	5582	5583	5584	5585	5586	5587	5588	5589	5590
5591	5592	5593	5594	5595	5596	5597	5598	5599	5600
5601	5602	5603	5604	5605	5606	5607	5608	5609	5610
5611	5612	5613	5614	5615	5616	5617	5618	5619	5620
5621	5622	5623	5624	5625	5626	5627	5628	5629	5630
5631	5632	5633	5634	5635	5636	5637	5638	5639	5640
5641	5642	5643	5644	5645	5646	5647	5648	5649	5650
5651	5652	5653	5654	5655	5656	5657	5658	5659	5660
5661	5662	5663	5664	5665	5666	5667	5668	5669	5670
5671	5672	5673	5674	5675	5676	5677	5678	5679	5680
5681	5682	5683	5684	5685	5686	5687	5688	5689	5690
5691	5692	5693	5694	5695	5696	5697	5698	5699	5700
5701	5702	5703	5704	5705	5706	5707	5708	5709	5710
5711	5712	5713	5714	5715	5716	5717	5718	5719	5720
5721	5722	5723	5724	5725	5726	5727	5728	5729	5730
5731	5732	5733	5734	5735	5736	5737	5738	5739	5740
5741	5742	5743	5744	5745	5746	5747	5748	5749	5750
5751	5752	5753	5754	5755	5756	5757	5758	5759	5760
5761	5762	5763	5764	5765	5766	5767	5768	5769	5770
5771	5772	5773	5774	5775	5776	5777	5778	5779	5780
5781	5782	5783	5784	5785	5786	5787	5788	5789	5790
5791	5792	5793	5794	5795	5796	5797	5798	5799	5800
5801	5802	5803	5804	5805	5806	5807	5808	5809	5810
5811	5812	5813	5814	5815	5816	5817	5818	5819	5820
5821	5822	5823	5824	5825	5826	5827	5828	5829	5830
5831	5832	5833	5834	5835	5836	5837	5838	5839	5840
5841	5842	5843	5844	5845	5846	5847	5848	5849	5850
5851	5852	5853	5854	5855	5856	5857	5858	5859	5860
5861	5862	5863	5864	5865	5866	5867	5868	5869	5870
5871	5872	5873	5874	5875	5876	5877	5878	5879	5880
5881	5882	5883	5884	5885	5886	5887	5888	5889	5890
5891	5892	5893	5894	5895	5896	5897	5898	5899	5900
5901	5902	5903	5904	5905	5906	5907	5908	5909	5910
5911	5912	5913	5914	5915	5916	5917	5918	5919	5920
5921	5922	5923	5924	5925	5926	5927	5928	5929	5930
5931	5932	5933	5934	5935	5936	5937	5938	5939	5940
5941	5942	5943	5944	5945	5946	5947	5948	5949	5950
5951	5952	5953	5954	5955	5956	5957	5958	5959	5960
5961	5962	5963	5964	5965	5966	5967	5968	5969	5970
5971	5972	5973	5974	5975	5976	5977	5978	5979	5980
5981	5982	5983	5984	5985	5986	5987	5988	5989	5990
5991	5992	5993	5994	5995	5996	5997	5998	5999	6000

PORTS	CARD	SLOT	ADAM FRAME # 2
105-112	14	1	BACK CARD # 1
113-120	15	2	BACK CARD # 2
121-128	16	3	BACK CARD # 3
129-136	17	4	BACK CARD # 4
137-144	18	5	BACK CARD # 5
145-152	19	6	BACK CARD # 6
153-160	20	11	BACK CARD # 7
161-168	21	12	BACK CARD # 8
169-176	22	13	BACK CARD # 9
177-184	23	14	BACK CARD # 10
185-192	24	15	BACK CARD # 11
193-200	25	16	BACK CARD # 12
201-208	26	17	BACK CARD # 13

TX-A	TX-B	TX-C	TX-D	TX-E	TX-F	TX-G	TX-H	TX-I	TX-J
5001	5002	5003	5004	5005	5006	5007	5008	5009	5010
5011	5012	5013	5014	5015	5016	5017	5018	5019	5020
5021	5022	5023	5024	5025	5026	5027	5028	5029	5030
5031	5032	5033	5034	5035	5036	5037	5038	5039	5040
5041	5042	5043	5044	5045	5046	5047	5048	5049	5050
5051	5052	5053	5054	5055	5056	5057	5058	5059	5060
5061	5062	5063	5064	5065	5066	5067	5068	5069	5070
5071	5072	5073	5074	5075	5076	5077	5078	5079	5080
5081	5082	5083	5084	5085	5086	5087	5088	5089	5090
5091	5092	5093	5094	5095	5096	5097	5098	5099	5100
5101	5102	5103	5104	5105	5106	5107			

STATION BREAKOUT PANEL	ADAM FRAMES	ADAM FRAMES	ADAM FRAMES	ADAM FRAMES	ADAM FRAMES
NO.	NO.	NO.	NO.	NO.	NO.
1001	IN	1101	OUT	1201	IN
1002	IN	1102	OUT	1202	IN
2001	IN	1103	OUT	1203	IN
1003	IN	1104	OUT	1204	IN
1004	IN	1105	OUT	1205	IN
2002	IN	1106	OUT	1206	IN
1005	IN	1107	OUT	1207	IN
1006	IN	1108	OUT	1208	IN
2003	IN	1109	OUT	1209	IN
1007	IN	1110	OUT	1210	IN
1008	IN	1111	OUT	1211	IN
2004	IN	1112	OUT	1212	IN
1009	IN	1113	OUT	1213	IN
1010	IN	1114	OUT	1214	IN
2005	IN	1115	OUT	1215	IN

STATION BREAKOUT PANEL	ADAM FRAMES	ADAM FRAMES	ADAM FRAMES	ADAM FRAMES	ADAM FRAMES
NO.	NO.	NO.	NO.	NO.	NO.
1011	IN	1116	OUT	1216	IN
1012	IN	1117	OUT	1217	IN
2006	IN	1118	OUT	1218	IN
1013	IN	1119	OUT	1219	IN
1014	IN	1120	OUT	1220	IN
2007	IN	1121	OUT	1221	IN
1015	IN	1122	OUT	1222	IN
1016	IN	1123	OUT	1223	IN
2008	IN	1124	OUT	1224	IN
1017	IN	1125	OUT	1225	IN
1018	IN	1126	OUT	1226	IN
2009	IN	1127	OUT	1227	IN

STATION BREAKOUT PANEL	ADAM FRAMES	ADAM FRAMES	ADAM FRAMES	ADAM FRAMES	ADAM FRAMES
NO.	NO.	NO.	NO.	NO.	NO.
1019	IN	1128	OUT	1228	IN
1020	IN	1129	OUT	1229	IN
2010	IN	1130	OUT	1230	IN
1021	IN	1131	OUT	1231	IN
1022	IN	1132	OUT	1232	IN
2011	IN	1133	OUT	1233	IN
1023	IN	1134	OUT	1234	IN
1024	IN	1135	OUT	1235	IN
2012	IN	1136	OUT	1236	IN
1025	IN	1137	OUT	1237	IN
1026	IN	1138	OUT	1238	IN
2013	IN	1139	OUT	1239	IN

STATION BREAKOUT PANEL	ADAM FRAMES	ADAM FRAMES	ADAM FRAMES	ADAM FRAMES	ADAM FRAMES
NO.	NO.	NO.	NO.	NO.	NO.
1027	IN	1127	OUT	1240	IN
1028	IN	1128	OUT	1241	IN
2014	IN	1129	OUT	1242	IN
1029	IN	1130	OUT	1243	IN
1030	IN	1131	OUT	1244	IN
2015	IN	1132	OUT	1245	IN
1031	IN	1133	OUT	1246	IN
1032	IN	1134	OUT	1247	IN
2016	IN	1135	OUT	1248	IN
1033	IN	1136	OUT	1249	IN
1034	IN	1137	OUT	1250	IN
2017	IN	1138	OUT	1251	IN
1035	IN	1139	OUT	1252	IN
1036	IN	1140	OUT	1253	IN
2018	IN	1141	OUT	1254	IN

STATION BREAKOUT PANEL	ADAM FRAMES	ADAM FRAMES	ADAM FRAMES	ADAM FRAMES	ADAM FRAMES
NO.	NO.	NO.	NO.	NO.	NO.
1037	IN	1137	OUT	1255	IN
1038	IN	1138	OUT	1256	IN
2019	IN	1139	OUT	1257	IN
1039	IN	1140	OUT	1258	IN
1040	IN	1141	OUT	1259	IN
2020	IN	1142	OUT	1260	IN
1041	IN	1143	OUT	1261	IN
1042	IN	1144	OUT	1262	IN
2021	IN	1145	OUT	1263	IN
1043	IN	1146	OUT	1264	IN
1044	IN	1147	OUT	1265	IN
2022	IN	1148	OUT	1266	IN

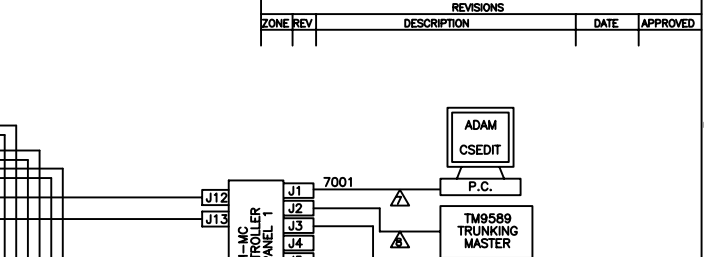
ADAM FRAME # 1				TX-A	TX-B	TX-C	TX-D
PORTS	CARD	SLOT	AD-BC-B-SCSI	TX-A	TX-B	TX-C	TX-D
1-8	1	1	BACK CARD # 1	J1	J2	J3	J4
9-16	2	2	BACK CARD # 2	J5	J6	J7	J8
17-24	3	3	BACK CARD # 3	J9	J10	J11	J12
25-32	4	4	BACK CARD # 4	J13	J14	J15	J16
33-40	5	5	BACK CARD # 5	J17	J18	J19	J20
41-48	6	6	BACK CARD # 6	J21	J22	J23	J24
49-56	7	7	BACK CARD # 7	J25	J26	J27	J28
57-64	8	8	BACK CARD # 8	J29	J30	J31	J32
65-72	9	9	BACK CARD # 9	J33	J34	J35	J36
73-80	10	10	BACK CARD # 10	J37	J38	J39	J40
81-88	11	11	BACK CARD # 11	J41	J42	J43	J44
89-96	12	12	BACK CARD # 12	J45	J46	J47	J48
97-104	13	13	BACK CARD # 13	J49	J50	J51	J52

ADAM FRAME # 2				TX-A	TX-B	TX-C	TX-D
PORTS	CARD	SLOT	AD-BC-B-SCSI	TX-A	TX-B	TX-C	TX-D
105-112	14	1	BACK CARD # 1	J1	J2	J3	J4
113-120	15	2	BACK CARD # 2	J5	J6	J7	J8
121-128	16	3	BACK CARD # 3	J9	J10	J11	J12
129-136	17	4	BACK CARD # 4	J13	J14	J15	J16
137-144	18	5	BACK CARD # 5	J17	J18	J19	J20
145-152	19	6	BACK CARD # 6	J21	J22	J23	J24
153-160	20	7	BACK CARD # 7	J25	J26	J27	J28
161-168	21	8	BACK CARD # 8	J29	J30	J31	J32
169-176	22	9	BACK CARD # 9	J33	J34	J35	J36
177-184	23	10	BACK CARD # 10	J37	J38	J39	J40
185-192	24	11	BACK CARD # 11	J41	J42	J43	J44
193-200	25	12	BACK CARD # 12	J45	J46	J47	J48
201-208	26	13	BACK CARD # 13	J49	J50	J51	J52

ADAM FRAME # 3				TX-A	TX-B	TX-C	TX-D
PORTS	CARD	SLOT	AD-BC-B-SCSI	TX-A	TX-B	TX-C	TX-D
209-216	27	1	BACK CARD # 1	J1	J2	J3	J4
217-224	28	2	BACK CARD # 2	J5	J6	J7	J8
225-232	29	3	BACK CARD # 3	J9	J10	J11	J12
233-240	30	4	BACK CARD # 4	J13	J14	J15	J16
241-248	31	5	BACK CARD # 5	J17	J18	J19	J20
249-256	32	6	BACK CARD # 6	J21	J22	J23	J24
257-264	33	7	BACK CARD # 7	J25	J26	J27	J28
265-272	34	8	BACK CARD # 8	J29	J30	J31	J32
273-280	35	9	BACK CARD # 9	J33	J34	J35	J36
281-288	36	10	BACK CARD # 10	J37	J38	J39	J40
289-296	37	11	BACK CARD # 11	J41	J42	J43	J44
297-304	38	12	BACK CARD # 12	J45	J46	J47	J48
305-312	39	13	BACK CARD # 13	J49	J50	J51	J52

ADAM FRAME # 4				TX-A	TX-B	TX-C	TX-D
PORTS	CARD	SLOT	AD-BC-B-SCSI	TX-A	TX-B	TX-C	TX-D
313-320	40	1	BACK CARD # 1	J1	J2	J3	J4
321-328	41	2	BACK CARD # 2	J5	J6	J7	J8
329-336	42	3	BACK CARD # 3	J9	J10	J11	J12
337-344	43	4	BACK CARD # 4	J13	J14	J15	J16
345-352	44	5	BACK CARD # 5	J17	J18	J19	J20
353-360	45	6	BACK CARD # 6	J21	J22	J23	J24
361-368	46	7	BACK CARD # 7	J25	J26	J27	J28
369-376	47	8	BACK CARD # 8	J29	J30	J31	J32
377-384	48	9	BACK CARD # 9	J33	J34	J35	J36
385-392	49	10	BACK CARD # 10	J37	J38	J39	J40
393-400	50	11	BACK CARD # 11	J41	J42	J43	J44
401-408	51	12	BACK CARD # 12	J45	J46	J47	J48
409-416	52	13	BACK CARD # 13	J49	J50	J51	J52

ADAM FRAME # 5				TX-A	TX-B	TX-C	TX-D
PORTS	CARD	SLOT	AD-BC-B-SCSI	TX-A	TX-B	TX-C	TX-D
417-424	53	1	BACK CARD # 1	J1	J2	J3	J4
425-432	54	2	BACK CARD # 2	J5	J6	J7	J8
433-440	55	3	BACK CARD # 3	J9	J10	J11	J12
441-448	56	4	BACK CARD # 4	J13	J14	J15	J16
449-456	57	5	BACK CARD # 5	J17	J18	J19	J20
457-464	58	6	BACK CARD # 6	J21	J22	J23	J24
465-472	59	7	BACK CARD # 7	J25	J26	J27	J28
473-480	60	8	BACK CARD # 8	J29	J30	J31	J32
481-488	61	9	BACK CARD # 9	J33	J34	J35	J36
489-496	62	10	BACK CARD # 10	J37	J38	J39	J40
497-504	63	11	BACK CARD # 11	J41	J42	J43	J44
505-512	64	12	BACK CARD # 12	J45	J46	J47	J48
513-520	65	13	BACK CARD # 13	J49	J50	J51	J52



- CABLE LEGENDS:
- △ DENOTES 25 PAIRS SCSI-2 CABLE
SEE DRAWING: ADAM-801 (REV. C)
 - △ DENOTES 25 PAIRS TELCO CABLE
SEE DRAWING: ADAM-802 (REV. C)
 - △ DENOTES RJ45 TO 25 PAIRS TELCO
SEE DRAWING: ADAM-803 (REV. C)
 - △ DENOTES RJ11 TO 25 PAIRS TELCO
SEE DRAWING: ADAM-804 (REV. C)
 - △ DENOTES DESP TO 25 PAIRS TELCO
SEE DRAWING: ADAM-805 (REV. C)
 - △ DENOTES 68 PINS SCSI-2 CABLE
SEE DRAWING: ADAM-806 (REV. C)
 - △ DENOTES RS232C CABLE
SEE DRAWING: ADAM-807 (REV. C)
 - △ DENOTES RS485, RS422 CABLE
SEE DRAWING: ADAM-808 (REV. C)
 - △ DENOTES RS485 CABLE
SEE DRAWING: ADAM-809 (REV. C)
 - △ DENOTES RG59 COAXIAL CABLE
SEE DRAWING: ADAM-810 (REV. C)

CONTRACT NO.		RTS SYSTEMS BURBANK, CALIFORNIA, USA	
APPROVALS	DATE	ADAM INTERCOM MATRIX 520 X 520 XCP-955 AUDIO & DATA JACKFIELD / SCSI DUAL BUS EXPANDER FULL REDUNDANT AUDIO INTERCONNECTION DIAGRAM	
DRAWN	W. YAU	18 JAN 2000	REV
CHECKED	W. YAU	18 JAN 2000	REV
ISSUED	D	ADAM-DBX-163	A
ADAM-DBX-163A	SCALE	DWG NO.	SHEET

STATION BREAKOUT PANEL	JACKFIELD AUDIO AND DATA	TYPICAL DETAILS
1001	IN AUDIO IN 1 - 24	OUT 1101
1002	OUT AUDIO OUT 1 - 24	IN 1102
2001	IN HP DATA 1 - 24	OUT 2101
1003	IN AUDIO IN 25 - 48	OUT 1103
1004	OUT AUDIO OUT 25 - 48	IN 1104
2002	IN HP DATA 25 - 48	OUT 2102
1005	IN AUDIO IN 49 - 72	OUT 1105
1006	OUT AUDIO OUT 49 - 72	IN 1106
2003	IN HP DATA 49 - 72	OUT 2103
1007	IN AUDIO IN 73 - 96	OUT 1107
1008	OUT AUDIO OUT 73 - 96	IN 1108
2004	IN HP DATA 73 - 96	OUT 2104

STATION BREAKOUT PANEL	JACKFIELD AUDIO AND DATA	TYPICAL DETAILS
1009	IN AUDIO IN 97 - 120	OUT 1109
1010	OUT AUDIO OUT 97 - 120	IN 1110
2005	IN HP DATA 97 - 120	OUT 2105
1011	IN AUDIO IN 121 - 144	OUT 1111
1012	OUT AUDIO OUT 121 - 144	IN 1112
2006	IN HP DATA 121 - 144	OUT 2106
1013	IN AUDIO IN 145 - 168	OUT 1113
1014	OUT AUDIO OUT 145 - 168	IN 1114
2007	IN HP DATA 145 - 168	OUT 2107
1015	IN AUDIO IN 169 - 192	OUT 1115
1016	OUT AUDIO OUT 169 - 192	IN 1116
2008	IN HP DATA 169 - 192	OUT 2108
1017	IN AUDIO IN 193 - 216	OUT 1117
1018	OUT AUDIO OUT 193 - 216	IN 1118
2009	IN HP DATA 193 - 216	OUT 2109

STATION BREAKOUT PANEL	JACKFIELD AUDIO AND DATA	TYPICAL DETAILS
1019	IN AUDIO IN 217 - 240	OUT 1119
1020	OUT AUDIO OUT 217 - 240	IN 1120
2010	IN HP DATA 217 - 240	OUT 2110
1021	IN AUDIO IN 241 - 264	OUT 1121
1022	OUT AUDIO OUT 241 - 264	IN 1122
2011	IN HP DATA 241 - 264	OUT 2111
1023	IN AUDIO IN 265 - 288	OUT 1123
1024	OUT AUDIO OUT 265 - 288	IN 1124
2012	IN HP DATA 265 - 288	OUT 2112
1025	IN AUDIO IN 289 - 312	OUT 1125
1026	OUT AUDIO OUT 289 - 312	IN 1126
2013	IN HP DATA 289 - 312	OUT 2113

STATION BREAKOUT PANEL	JACKFIELD AUDIO AND DATA	TYPICAL DETAILS
1027	IN AUDIO IN 313 - 336	OUT 1127
1028	OUT AUDIO OUT 313 - 336	IN 1128
2014	IN HP DATA 313 - 336	OUT 2114
1029	IN AUDIO IN 337 - 360	OUT 1129
1030	OUT AUDIO OUT 337 - 360	IN 1130
2015	IN HP DATA 337 - 360	OUT 2115
1031	IN AUDIO IN 361 - 384	OUT 1131
1032	OUT AUDIO OUT 361 - 384	IN 1132
2016	IN HP DATA 361 - 384	OUT 2116
1033	IN AUDIO IN 385 - 408	OUT 1133
1034	OUT AUDIO OUT 385 - 408	IN 1134
2017	IN HP DATA 385 - 408	OUT 2117

STATION BREAKOUT PANEL	JACKFIELD AUDIO AND DATA	TYPICAL DETAILS
1035	IN AUDIO IN 409 - 432	OUT 1135
1036	OUT AUDIO OUT 409 - 432	IN 1136
2018	IN HP DATA 409 - 432	OUT 2118
1037	IN AUDIO IN 433 - 448	OUT 1137
1038	OUT AUDIO OUT 433 - 448	IN 1138
2019	IN HP DATA 433 - 448	OUT 2119
1039	IN AUDIO IN 449 - 480	OUT 1139
1040	OUT AUDIO OUT 449 - 480	IN 1140
2020	IN HP DATA 449 - 480	OUT 2120
1041	IN AUDIO IN 481 - 504	OUT 1141
1042	OUT AUDIO OUT 481 - 504	IN 1142
2021	IN HP DATA 481 - 504	OUT 2121
1043	IN AUDIO IN 505 - 520	OUT 1143
1044	OUT AUDIO OUT 505 - 520	IN 1144
2022	IN HP DATA 505 - 520	OUT 2122

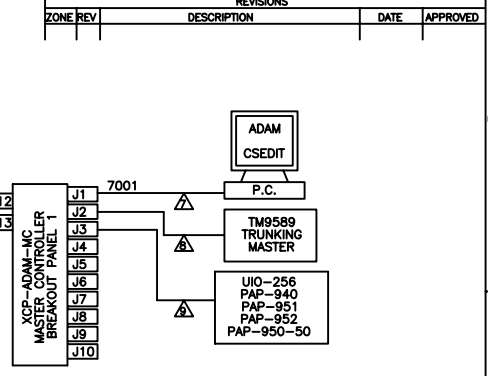
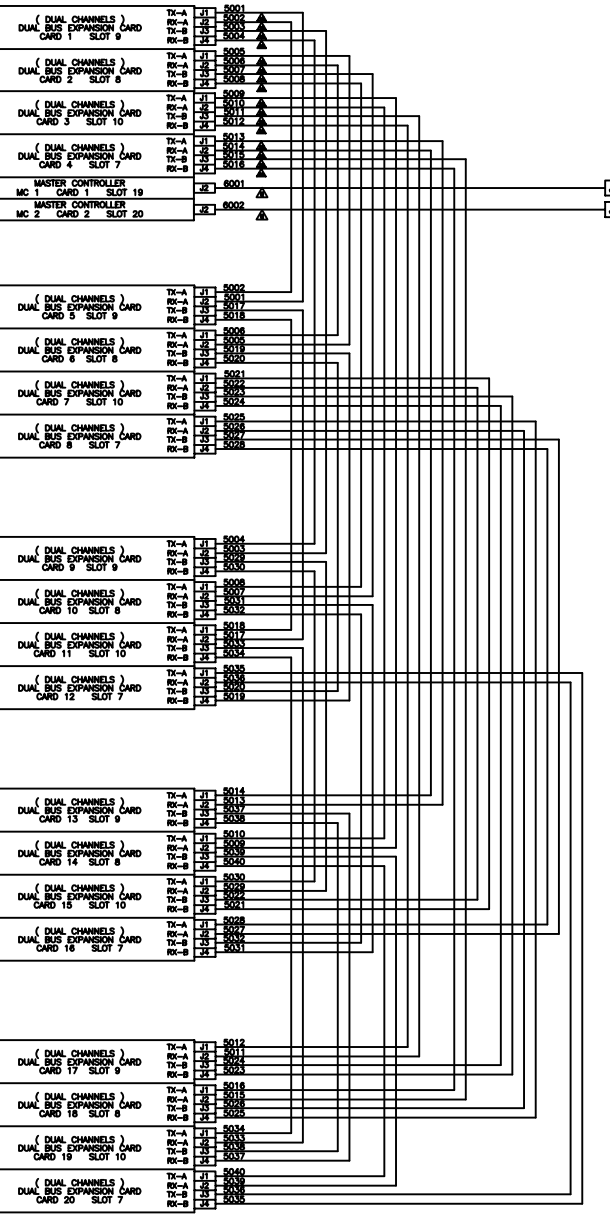
ADAM FRAME # 1			
PORTS	CARD	SLOT	AO-B-C-S-CSI
1-8	1	1	BACK CARD # 1
9-16	2	2	BACK CARD # 2
17-24	3	3	BACK CARD # 3
25-32	4	4	BACK CARD # 4
33-40	5	5	BACK CARD # 5
41-48	6	6	BACK CARD # 6
49-56	7	11	BACK CARD # 7
57-64	8	12	BACK CARD # 8
65-72	9	13	BACK CARD # 9
73-80	10	14	BACK CARD # 10
81-88	11	15	BACK CARD # 11
89-96	12	16	BACK CARD # 12
97-104	13	17	BACK CARD # 13

ADAM FRAME # 2			
PORTS	CARD	SLOT	AO-B-C-S-CSI
105-112	14	1	BACK CARD # 1
113-120	15	2	BACK CARD # 2
121-128	16	3	BACK CARD # 3
129-136	17	4	BACK CARD # 4
137-144	18	5	BACK CARD # 5
145-152	19	6	BACK CARD # 6
153-160	20	11	BACK CARD # 7
161-168	21	12	BACK CARD # 8
169-176	22	13	BACK CARD # 9
177-184	23	14	BACK CARD # 10
185-192	24	15	BACK CARD # 11
193-200	25	16	BACK CARD # 12
201-208	26	17	BACK CARD # 13

ADAM FRAME # 3			
PORTS	CARD	SLOT	AO-B-C-S-CSI
209-216	27	1	BACK CARD # 1
217-224	28	2	BACK CARD # 2
225-232	29	3	BACK CARD # 3
233-240	30	4	BACK CARD # 4
241-248	31	5	BACK CARD # 5
249-256	32	6	BACK CARD # 6
257-264	33	11	BACK CARD # 7
265-272	34	12	BACK CARD # 8
273-280	35	13	BACK CARD # 9
281-288	36	14	BACK CARD # 10
289-296	37	15	BACK CARD # 11
297-304	38	16	BACK CARD # 12
305-312	39	17	BACK CARD # 13

ADAM FRAME # 4			
PORTS	CARD	SLOT	AO-B-C-S-CSI
313-320	40	1	BACK CARD # 1
321-328	41	2	BACK CARD # 2
329-336	42	3	BACK CARD # 3
337-344	43	4	BACK CARD # 4
345-352	44	5	BACK CARD # 5
353-360	45	6	BACK CARD # 6
361-368	46	11	BACK CARD # 7
369-376	47	12	BACK CARD # 8
377-384	48	13	BACK CARD # 9
385-392	49	14	BACK CARD # 10
393-400	50	15	BACK CARD # 11
401-408	51	16	BACK CARD # 12
409-416	52	17	BACK CARD # 13

ADAM FRAME # 5			
PORTS	CARD	SLOT	AO-B-C-S-CSI
417-424	53	1	BACK CARD # 1
425-432	54	2	BACK CARD # 2
433-440	55	3	BACK CARD # 3
441-448	56	4	BACK CARD # 4
449-456	57	5	BACK CARD # 5
457-464	58	6	BACK CARD # 6
465-472	59	11	BACK CARD # 7
473-480	60	12	BACK CARD # 8
481-488	61	13	BACK CARD # 9
489-496	62	14	BACK CARD # 10
497-504	63	15	BACK CARD # 11
505-512	64	16	BACK CARD # 12
513-520	65	17	BACK CARD # 13



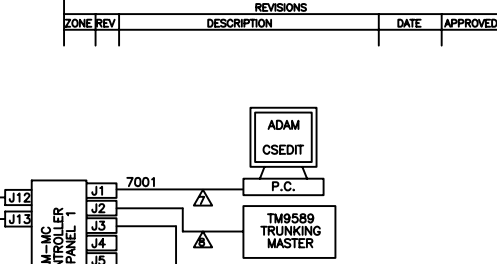
- CABLE LEGENDS:
- △ DENOTES 25 PAIRS SCSI-2 CABLE SEE DRAWING: ADAM-801 (REV. C)
 - △ DENOTES 25 PAIRS TELCO CABLE SEE DRAWING: ADAM-802 (REV. C)
 - △ DENOTES RJ45 TO 25 PAIRS TELCO SEE DRAWING: ADAM-803 (REV. C)
 - △ DENOTES RJ11 TO 25 PAIRS TELCO SEE DRAWING: ADAM-804 (REV. C)
 - △ DENOTES DESP TO 25 PAIRS TELCO SEE DRAWING: ADAM-805 (REV. C)
 - △ DENOTES 68 PINS SCSI-2 CABLE SEE DRAWING: ADAM-806 (REV. C)
 - △ DENOTES RS232C CABLE SEE DRAWING: ADAM-807 (REV. C)
 - △ DENOTES RS485, RS422 CABLE SEE DRAWING: ADAM-808 (REV. C)
 - △ DENOTES RS485 CABLE SEE DRAWING: ADAM-809 (REV. C)
 - △ DENOTES RG59 COAXIAL CABLE SEE DRAWING: ADAM-810 (REV. C)

CONTRACT NO.		RTS SYSTEMS BURBANK, CALIFORNIA, USA	
APPROVALS	DATE	ADAM XCP-955 / AUDIO & DATA JACKFIELD / RJ DUAL BUS EXPANDER FULL REDUNDANT AUDIO INTERCONNECTION DIAGRAM	
DRAWN	W. YAU	18 JAN 2000	REV
CHECKED	W. YAU	18 JAN 2000	REV
ISSUED	SIZE D	FSCM NO.	DWG NO. ADAM-DBX-164
ADAM-DBX-164A		SCALE	SHEET

STATION BREAKOUT PANEL	JACKFIELD AUDIO	PORTS	CARD	SLOT	AI0-BC-0-SCSI
1001	IN AUDIO IN 1-24	1101	1	1	1
1002	OUT AUDIO OUT 1-24	1102	1	1	1
2001	IN AUDIO IN 25-48	1103	2	1	1
1003	OUT AUDIO OUT 25-48	1104	2	1	1
2002	IN AUDIO IN 49-72	1105	3	1	1
1004	OUT AUDIO OUT 49-72	1106	3	1	1
2003	IN AUDIO IN 73-96	1107	4	1	1
1005	OUT AUDIO OUT 73-96	1108	4	1	1
2004	IN AUDIO IN 97-120	1109	5	1	1
1006	OUT AUDIO OUT 97-120	1110	5	1	1
2005	IN AUDIO IN 121-144	1111	6	1	1

ADAM FRAME # 1	PORTS	CARD	SLOT	AI0-BC-0-SCSI
1-8	1	1	1	1
9-16	2	2	1	1
17-24	3	3	1	1
25-32	4	4	1	1
33-40	5	5	1	1
41-48	6	6	1	1
49-56	7	7	1	1
57-64	8	8	1	1
65-72	9	9	1	1
73-80	10	10	1	1
81-88	11	11	1	1
89-96	12	12	1	1
97-104	13	13	1	1

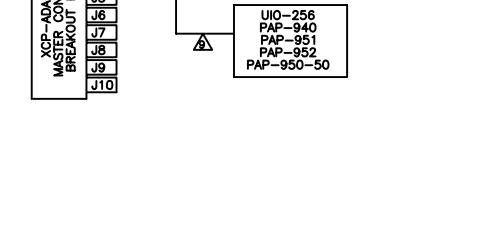
TX-A	TX-B	TX-C	TX-D	TX-E	TX-F	TX-G	TX-H	TX-I	TX-J
5001	5002	5003	5004	5005	5006	5007	5008	5009	5010
5011	5012	5013	5014	5015	5016	5017	5018	5019	5020
5021	5022	5023	5024	5025	5026	5027	5028	5029	5030
5031	5032	5033	5034	5035	5036	5037	5038	5039	5040
5041	5042	5043	5044	5045	5046	5047	5048	5049	5050
5051	5052	5053	5054	5055	5056	5057	5058	5059	5060
5061	5062	5063	5064	5065	5066	5067	5068	5069	5070
5071	5072	5073	5074	5075	5076	5077	5078	5079	5080
5081	5082	5083	5084	5085	5086	5087	5088	5089	5090
5091	5092	5093	5094	5095	5096	5097	5098	5099	5100



STATION BREAKOUT PANEL	JACKFIELD AUDIO	PORTS	CARD	SLOT	AI0-BC-0-SCSI
1011	IN AUDIO IN 121-144	1111	14	1	1
1012	OUT AUDIO OUT 121-144	1112	14	1	1
2006	IN AUDIO IN 145-168	1113	15	2	1
1013	OUT AUDIO OUT 145-168	1114	15	2	1
2007	IN AUDIO IN 169-192	1115	16	3	1
1014	OUT AUDIO OUT 169-192	1116	16	3	1
2008	IN AUDIO IN 193-216	1117	17	4	1
1015	OUT AUDIO OUT 193-216	1118	17	4	1
2009	IN AUDIO IN 217-240	1119	18	5	1

ADAM FRAME # 2	PORTS	CARD	SLOT	AI0-BC-0-SCSI
105-112	14	1	1	1
113-120	15	2	1	1
121-128	16	3	1	1
129-136	17	4	1	1
137-144	18	5	1	1
145-152	19	6	1	1
153-160	20	7	1	1
161-168	21	12	1	1
169-176	22	13	1	1
177-184	23	14	1	1
185-192	24	15	1	1
193-200	25	16	1	1
201-208	26	17	1	1

TX-A	TX-B	TX-C	TX-D	TX-E	TX-F	TX-G	TX-H	TX-I	TX-J
5001	5002	5003	5004	5005	5006	5007	5008	5009	5010
5011	5012	5013	5014	5015	5016	5017	5018	5019	5020
5021	5022	5023	5024	5025	5026	5027	5028	5029	5030
5031	5032	5033	5034	5035	5036	5037	5038	5039	5040
5041	5042	5043	5044	5045	5046	5047	5048	5049	5050
5051	5052	5053	5054	5055	5056	5057	5058	5059	5060
5061	5062	5063	5064	5065	5066	5067	5068	5069	5070
5071	5072	5073	5074	5075	5076	5077	5078	5079	5080
5081	5082	5083	5084	5085	5086	5087	5088	5089	5090
5091	5092	5093	5094	5095	5096	5097	5098	5099	5100



STATION BREAKOUT PANEL	JACKFIELD AUDIO	PORTS	CARD	SLOT	AI0-BC-0-SCSI
1019	IN AUDIO IN 217-240	1119	27	1	1
1020	OUT AUDIO OUT 217-240	1120	27	1	1
2010	IN AUDIO IN 241-264	1121	28	2	1
1021	OUT AUDIO OUT 241-264	1122	28	2	1
2011	IN AUDIO IN 265-288	1123	29	3	1
1022	OUT AUDIO OUT 265-288	1124	29	3	1
2012	IN AUDIO IN 289-312	1125	30	4	1
1023	OUT AUDIO OUT 289-312	1126	30	4	1
2013	IN AUDIO IN 313-336	1127	31	5	1

ADAM FRAME # 3	PORTS	CARD	SLOT	AI0-BC-0-SCSI
209-216	27	1	1	1
217-224	28	2	1	1
225-232	29	3	1	1
233-240	30	4	1	1
241-248	31	5	1	1
249-256	32	6	1	1
257-264	33	11	1	1
265-272	34	12	1	1
273-280	35	13	1	1
281-288	36	14	1	1
289-296	37	15	1	1
297-304	38	16	1	1
305-312	39	17	1	1

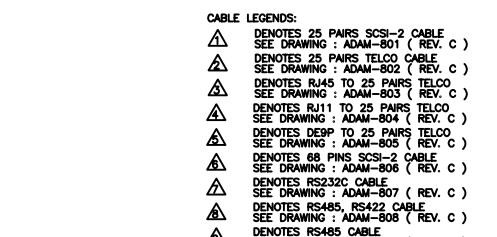
TX-A	TX-B	TX-C	TX-D	TX-E	TX-F	TX-G	TX-H	TX-I	TX-J
5001	5002	5003	5004	5005	5006	5007	5008	5009	5010
5011	5012	5013	5014	5015	5016	5017	5018	5019	5020
5021	5022	5023	5024	5025	5026	5027	5028	5029	5030
5031	5032	5033	5034	5035	5036	5037	5038	5039	5040
5041	5042	5043	5044	5045	5046	5047	5048	5049	5050
5051	5052	5053	5054	5055	5056	5057	5058	5059	5060
5061	5062	5063	5064	5065	5066	5067	5068	5069	5070
5071	5072	5073	5074	5075	5076	5077	5078	5079	5080
5081	5082	5083	5084	5085	5086	5087	5088	5089	5090
5091	5092	5093	5094	5095	5096	5097	5098	5099	5100



STATION BREAKOUT PANEL	JACKFIELD AUDIO	PORTS	CARD	SLOT	AI0-BC-0-SCSI
1027	IN AUDIO IN 313-336	1127	40	1	1
1028	OUT AUDIO OUT 313-336	1128	40	1	1
2014	IN AUDIO IN 337-360	1129	41	2	1
1029	OUT AUDIO OUT 337-360	1130	41	2	1
2015	IN AUDIO IN 361-384	1131	42	3	1
1030	OUT AUDIO OUT 361-384	1132	42	3	1
2016	IN AUDIO IN 385-408	1133	43	4	1
1031	OUT AUDIO OUT 385-408	1134	43	4	1
2017	IN AUDIO IN 409-432	1135	44	5	1
1032	OUT AUDIO OUT 409-432	1136	44	5	1
2018	IN AUDIO IN 433-456	1137	45	6	1

ADAM FRAME # 4	PORTS	CARD	SLOT	AI0-BC-0-SCSI
313-320	40	1	1	1
321-328	41	2	1	1
329-336	42	3	1	1
337-344	43	4	1	1
345-352	44	5	1	1
353-360	45	6	1	1
361-368	46	11	1	1
369-376	47	12	1	1
377-384	48	13	1	1
385-392	49	14	1	1
393-400	50	15	1	1
401-408	51	16	1	1
409-416	52	17	1	1

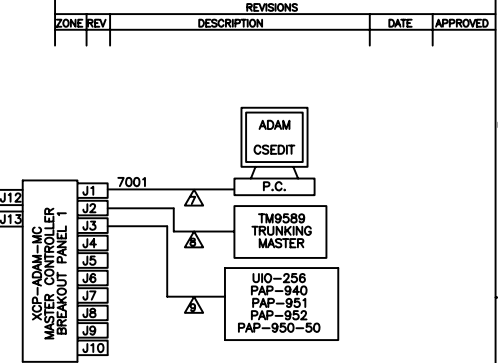
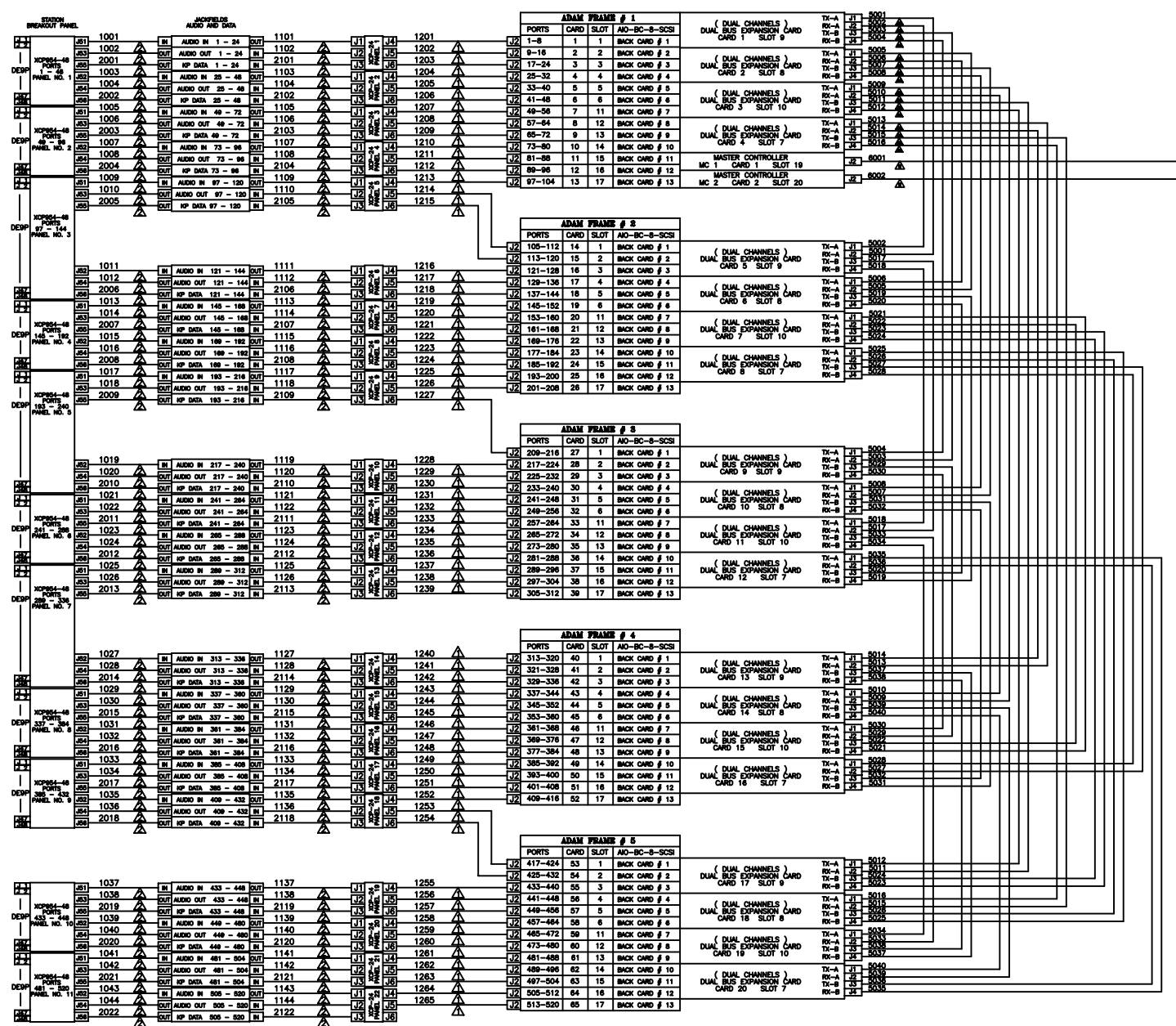
TX-A	TX-B	TX-C	TX-D	TX-E	TX-F	TX-G	TX-H	TX-I	TX-J
5011	5012	5013	5014	5015	5016	5017	5018	5019	5020
5021	5022	5023	5024	5025	5026	5027	5028	5029	5030
5031	5032	5033	5034	5035	5036	5037	5038	5039	5040
5041	5042	5043	5044	5045	5046	5047	5048	5049	5050
5051	5052	5053	5054	5055	5056	5057	5058	5059	5060
5061	5062	5063	5064	5065	5066	5067	5068	5069	5070
5071	5072	5073	5074	5075	5076	5077	5078	5079	5080
5081	5082	5083	5084	5085	5086	5087	5088	5089	5090
5091	5092	5093	5094	5095	5096	5097	5098	5099	5100



STATION BREAKOUT PANEL	JACKFIELD AUDIO	PORTS	CARD	SLOT	AI0-BC-0-SCSI
1037	IN AUDIO IN 433-456	1137	53	1	1
1038	OUT AUDIO OUT 433-456	1138	53	1	1
2019	IN AUDIO IN 457-480	1139	54	2	1
1039	OUT AUDIO OUT 457-480	1140	54	2	1
2020	IN AUDIO IN 481-504	1141	55	3	1
1040	OUT AUDIO OUT 481-504	1142	55	3	1
2021	IN AUDIO IN 505-528	1143	56	4	1
1041	OUT AUDIO OUT 505-528	1144	56	4	1
2022	IN AUDIO IN 529-552	1145	57	5	1

ADAM FRAME # 5	PORTS	CARD	SLOT	AI0-BC-0-SCSI
417-424	53	1	1	1
425-432	54	2	1	1
433-440	55	3	1	1
441-448	56	4	1	1
449-456	57	5	1	1
457-464	58	6	1	1
465-472	59	11	1	1
473-480	60	12	1	1
481-488	61	13	1	1
489-496	62	14	1	1
497-504	63	15	1	1
505-512	64	16	1	1
513-520	65	17	1	1

TX-A	TX-B	TX-C	TX-D	TX-E	TX-F	TX-G	TX-H	TX-I	TX-J
5011	5012	5013	5014	5015	5016	5017	5018	5019	5020
5021	5022	5023	5024	5025	5026	5027	5028	5029	5030
5031	5032	5033	5034	5035	5036	5037	5038	5039	5040
5041	5042	5043	5044	5045	5046	5047	5048	5049	5050
5051	5052	5053	5054	5055	5056	5057	5058	5059	5060
5061	5062	5063	5064	5065	5066	5067	5068	5069	5070
5071	5072	5073	5074	5075	5076	5077	5078	5079	5080
5081	5082	5083							



- CABLE LEGENDS:**
- △ DENOTES 25 PAIRS SCSI-2 CABLE
SEE DRAWING: ADAM-801 (REV. C)
 - △ DENOTES 25 PAIRS TELCO CABLE
SEE DRAWING: ADAM-802 (REV. C)
 - △ DENOTES RJ45 TO 25 PAIRS TELCO
SEE DRAWING: ADAM-803 (REV. C)
 - △ DENOTES RJ11 TO 25 PAIRS TELCO
SEE DRAWING: ADAM-804 (REV. C)
 - △ DENOTES DESP TO 25 PAIRS TELCO
SEE DRAWING: ADAM-805 (REV. C)
 - △ DENOTES 68 PINS SCSI-2 CABLE
SEE DRAWING: ADAM-806 (REV. C)
 - △ DENOTES RS232C CABLE
SEE DRAWING: ADAM-807 (REV. C)
 - △ DENOTES RS485, RS422 CABLE
SEE DRAWING: ADAM-808 (REV. C)
 - △ DENOTES RS485 CABLE
SEE DRAWING: ADAM-809 (REV. C)
 - △ DENOTES RG59 COAXIAL CABLE
SEE DRAWING: ADAM-810 (REV. C)

CONTRACT NO. _____

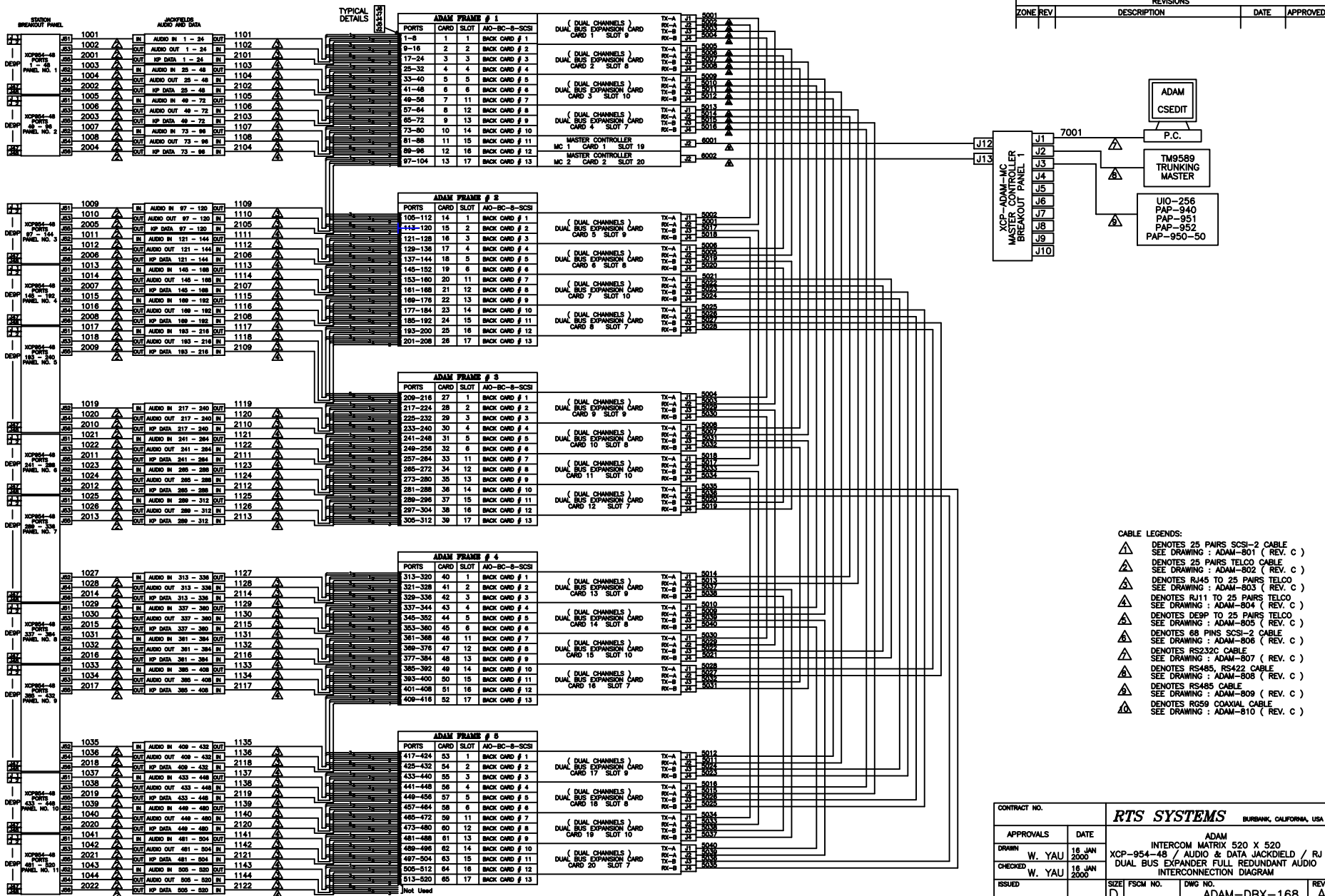
RTS SYSTEMS BURBANK, CALIFORNIA, USA

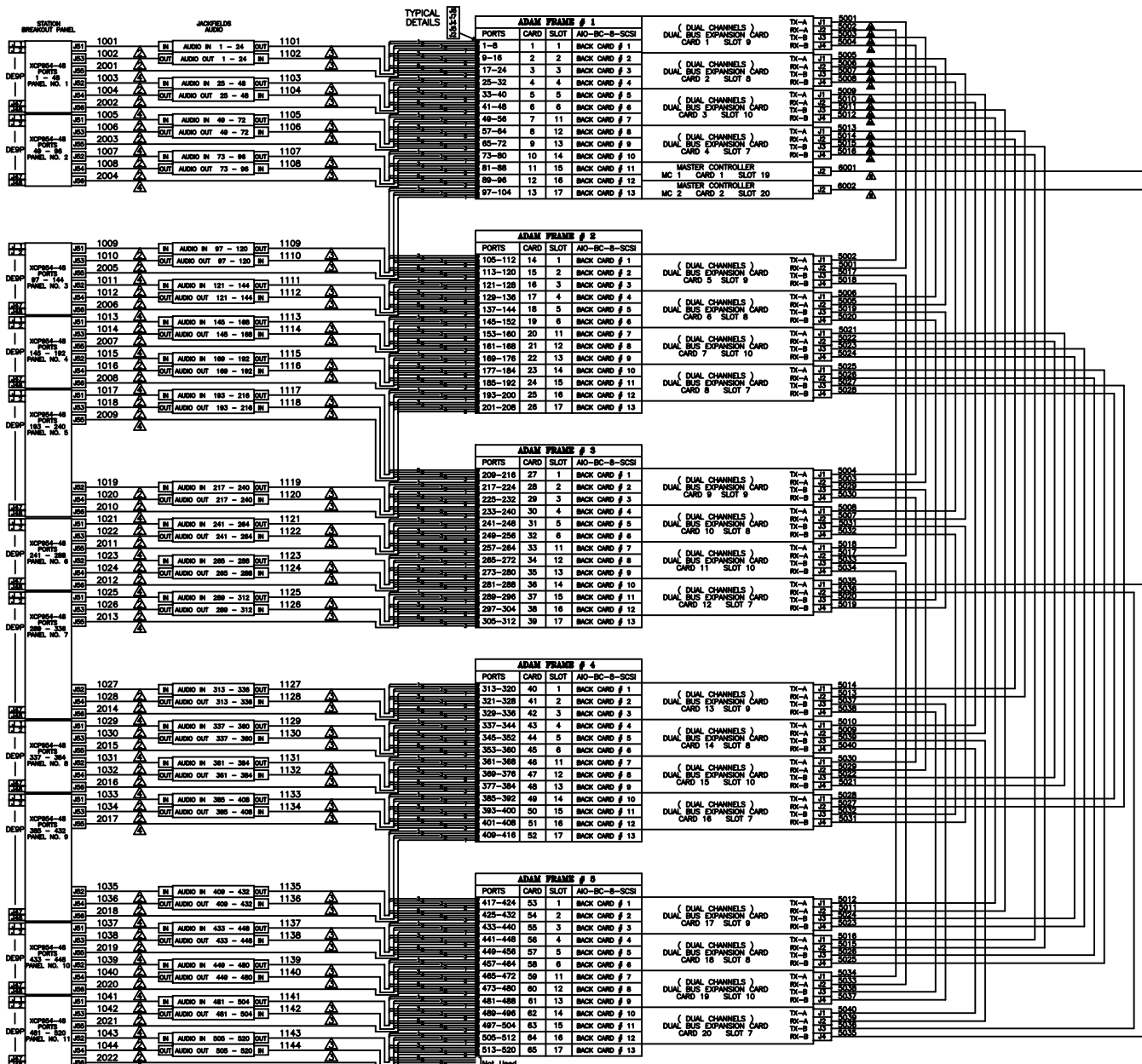
ADAM INTERCOM MATRIX 520 X 520
KCP-954-A8 / AUDIO & DATA JACKFIELD / SCSI
DUAL BUS EXPANDER FULL REDUNDANT AUDIO
INTERCONNECTOR DIAGRAM

APPROVALS DATE
DRAWN W. YAU 18 JAN 2000
CHECKED W. YAU 18 JAN 2000
ISSUED _____

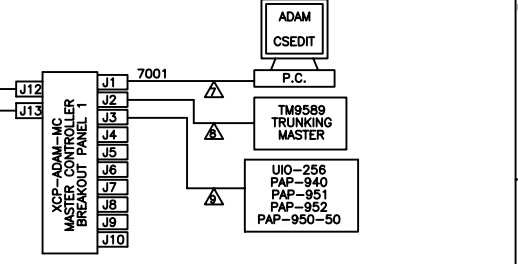
SIZE FSCM NO. DWG NO. REV
D ADAM-DBX-167 A

ADAM-DBX-167A SCALE SHEET





ZONE REV	DESCRIPTION	REVISIONS	DATE	APPROVED
----------	-------------	-----------	------	----------



- CABLE LEGENDS:**
- △ DENOTES 25 PAIRS SCSI-2 CABLE
SEE DRAWING : ADAM-801 (REV. C)
 - △ DENOTES 25 PAIRS TELCO CABLE
SEE DRAWING : ADAM-802 (REV. C)
 - △ DENOTES RJ45 TO 25 PAIRS TELCO
SEE DRAWING : ADAM-803 (REV. C)
 - △ DENOTES RJ11 TO 25 PAIRS TELCO
SEE DRAWING : ADAM-804 (REV. C)
 - △ DENOTES DESP TO 25 PAIRS TELCO
SEE DRAWING : ADAM-805 (REV. C)
 - △ DENOTES 68 PINS SCSI-2 CABLE
SEE DRAWING : ADAM-806 (REV. C)
 - △ DENOTES RS232C CABLE
SEE DRAWING : ADAM-807 (REV. C)
 - △ DENOTES RS485, RS422 CABLE
SEE DRAWING : ADAM-808 (REV. C)
 - △ DENOTES RS485 CABLE
SEE DRAWING : ADAM-809 (REV. C)
 - △ DENOTES RG59 COAXIAL CABLE
SEE DRAWING : ADAM-810 (REV. C)

CONTRACT NO. _____

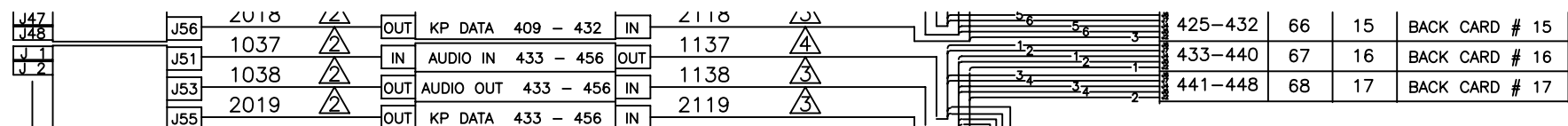
RTS SYSTEMS BURBANK, CALIFORNIA, USA

ADAM INTERCOM MATRIX 520 X 520 XCP-954-48 / AUDIO ONLY JACKFIELD / RJ DUAL BUS EXPANDER FULL REDUNDANT AUDIO INTERCONNECTION DIAGRAM

APPROVALS	DATE
W. YAU	18 JAN 2000
CHECKED	DATE
W. YAU	18 JAN 2000
ISSUED	DATE
D	18 JAN 2000

SIZE	FSCM NO.	DWG NO.	REV
D		ADAM-DBX-170	A

ADAM-DBX-170A SCALE _____ SHEET _____



ADAM FRAME # 5			
PORTS	CARD	SLOT	AIO-BC-RJ45
425-432	66	15	BACK CARD # 15
433-440	67	16	BACK CARD # 16
441-448	68	17	BACK CARD # 17
449-456	69	1	BACK CARD # 1
457-464	70	2	BACK CARD # 2
465-472	71	3	BACK CARD # 3
473-480	72	4	BACK CARD # 4
481-488	73	5	BACK CARD # 5
489-496	74	6	BACK CARD # 6
497-504	75	7	BACK CARD # 7
505-512	79	11	BACK CARD # 11
513-520	80	12	BACK CARD # 12
521-528	81	13	BACK CARD # 13
529-536	82	14	BACK CARD # 14
537-544	83	15	BACK CARD # 15
545-552	84	16	BACK CARD # 16
553-560	85	17	BACK CARD # 17

(DUAL CHANNELS)
DUAL BUS EXPANSION CARD
CARD 13 SLOT 8

TX-A J1 3026
RX-A J2 3025
TX-B J3 3037
RX-B J4 3038

(DUAL CHANNELS)
DUAL BUS EXPANSION CARD
CARD 14 SLOT 9

TX-A J1 3010
RX-A J2 3009
TX-B J3 3020
RX-B J4 3019

(DUAL CHANNELS)
DUAL BUS EXPANSION CARD
CARD 15 SLOT 10

TX-A J1 3034
RX-A J2 3033
TX-B J3 3039
RX-B J4 3040

RJ11
XCP954-48
PORTS
433 - 480
PANEL NO. 10

RJ11
XCP955-48
PORTS
481 - 528
PANEL NO. 11

RJ11
XCP954-48
PORTS
529 - 576
PANEL NO. 12

RJ11
XCP954-48
PORTS
577 - 624
PANEL NO. 13

RJ11
XCP954-48
PORTS
625 - 672
PANEL NO. 13

RJ11
XCP954-48
PORTS
673 - 720
PANEL NO. 14

RJ11
XCP954-48
PORTS
721 - 768
PANEL NO. 15

RJ11
XCP954-48
PORTS
769 - 784
PANEL NO. 15

ADAM FRAME # 6			
PORTS	CARD	SLOT	AIO-BC-RJ45
561-568	86	1	BACK CARD # 1
569-576	87	2	BACK CARD # 2
577-584	88	3	BACK CARD # 3
585-592	89	4	BACK CARD # 4
593-600	90	5	BACK CARD # 5
601-608	91	6	BACK CARD # 6
609-616	92	7	BACK CARD # 7
617-624	96	11	BACK CARD # 11
625-632	97	12	BACK CARD # 12
633-640	98	13	BACK CARD # 13
641-648	99	14	BACK CARD # 14
649-656	100	15	BACK CARD # 15
657-664	101	16	BACK CARD # 16
665-672	102	17	BACK CARD # 17

(DUAL CHANNELS)
DUAL BUS EXPANSION CARD
CARD 16 SLOT 8

TX-A J1 3032
RX-A J2 3031
TX-B J3 3041
RX-B J4 3042

(DUAL CHANNELS)
DUAL BUS EXPANSION CARD
CARD 17 SLOT 9

TX-A J1 3030
RX-A J2 3029
TX-B J3 3012
RX-B J4 3011

(DUAL CHANNELS)
DUAL BUS EXPANSION CARD
CARD 18 SLOT 10

TX-A J1 3038
RX-A J2 3037
TX-B J3 3014
RX-B J4 3013

ADAM FRAME # 7			
PORTS	CARD	SLOT	AIO-BC-RJ45
673-680	103	1	BACK CARD # 1
681-688	104	2	BACK CARD # 2
689-696	105	3	BACK CARD # 3
697-704	106	4	BACK CARD # 4
705-712	107	5	BACK CARD # 5
713-720	108	6	BACK CARD # 6
721-728	109	7	BACK CARD # 7
729-736	113	11	BACK CARD # 11
737-744	114	12	BACK CARD # 12
745-752	115	13	BACK CARD # 13
753-760	116	14	BACK CARD # 14
761-768	117	15	BACK CARD # 15
769-776	118	16	BACK CARD # 16
777-784	119	17	BACK CARD # 17

(DUAL CHANNELS)
DUAL BUS EXPANSION CARD
CARD 19 SLOT 8

TX-A J1 3028
RX-A J2 3027
TX-B J3 3036
RX-B J4 3035

(DUAL CHANNELS)
DUAL BUS EXPANSION CARD
CARD 20 SLOT 9

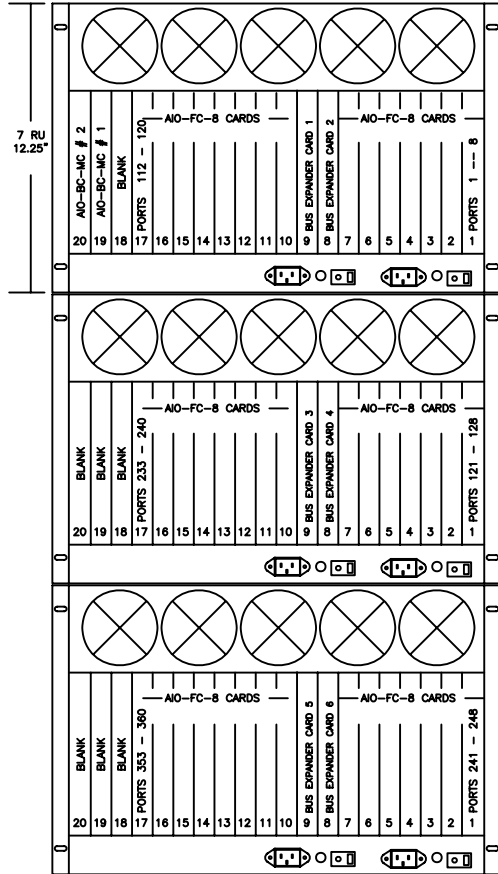
TX-A J1 3003
RX-A J2 3004
TX-B J3 3016
RX-B J4 3015

(DUAL CHANNELS)
DUAL BUS EXPANSION CARD
CARD 21 SLOT 10

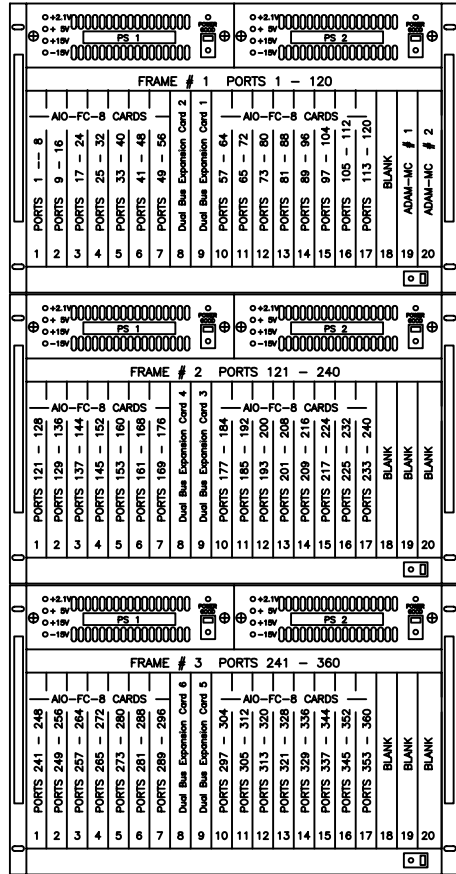
TX-A J1 3040
RX-A J2 3039
TX-B J3 3042
RX-B J4 3041

ZONE REV	DESCRIPTION	DATE	APPROVED

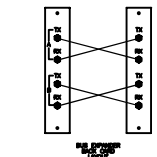
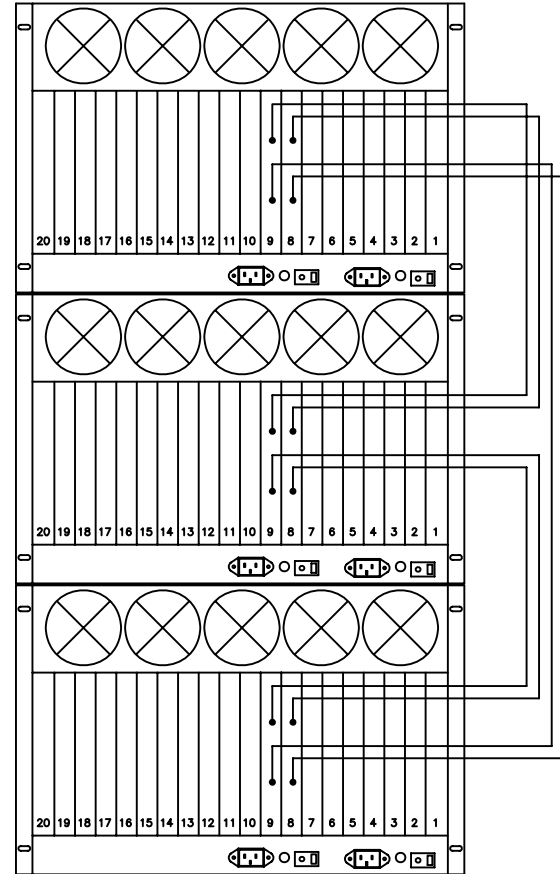
ADAM MATRIX FRAMES REAR VIEW



ADAM MATRIX FRAMES FRONT VIEW



BUS EXPANDER INTERCONNECT REAR VIEW



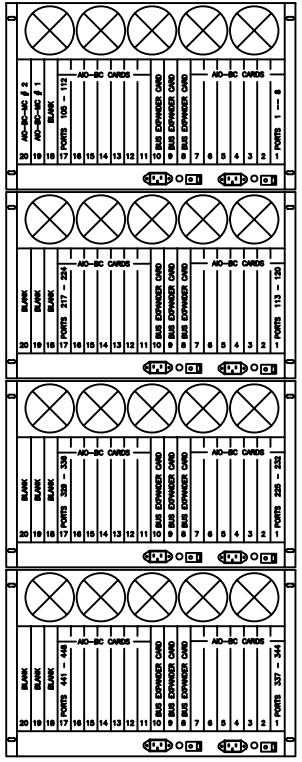
Each line represents 2 coax cables connected to their respective TX and RX connectors as shown above

UNLESS OTHERWISE SPECIFIED REMOVE ALL BURRS & SHARP EDGES SELF TIGHTENING NUTS SOFT ANGLE-TIGHTENERS INSURULOX AND 1/2 INCH THERMOSEALING PL/16		CONTRACT NO.	RTS SYSTEMS BURBANK, CALIFORNIA, USA	
MATERIAL	FINISH	APPROVALS	DATE	ADAM 3 FRAMES INTERCOM MATRIX 360 X 360 DUAL BUS EXPANDER FULL REDUNDANT AUDIO MATRIX FRAMES LAYOUT
NEXT ASSY	USED ON	W. YAU/G. BEHREND	6 JAN 2000	SIZE D
APPLICATION	ADAM-DBX-303A	ISSUED	5 JAN 2000	DWG NO. ADAM-DBX-303
				REV A
				SHEET

ADAM MATRIX FRAME REAR VIEW

ADAM MATRIX FRAMES FRONT VIEW

BUS EXPANDER INTERCONNECT REAR VIEW

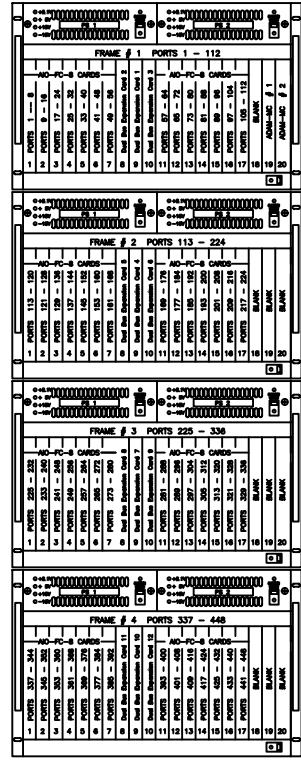


FRAME 1
MASTER FRAME

FRAME 2
SLAVE FRAME

FRAME 3
SLAVE FRAME

FRAME 4
SLAVE FRAME

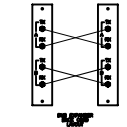
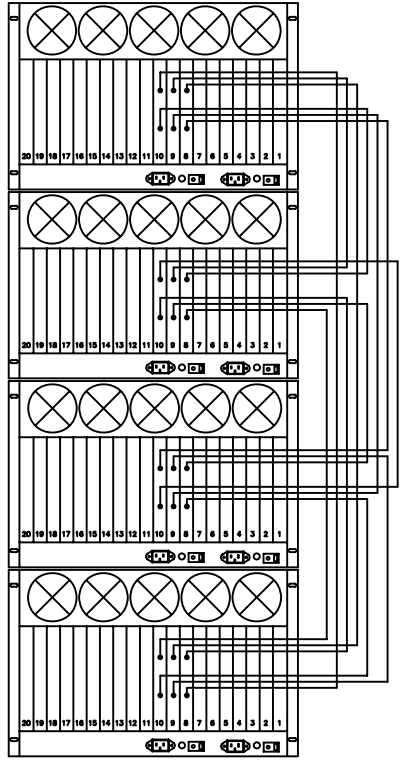


FRAME 1
MASTER FRAME

FRAME 2
SLAVE FRAME

FRAME 3
SLAVE FRAME

FRAME 4
SLAVE FRAME



Each line represents 2 coax cables connected to their respective TX and RX connectors as shown above

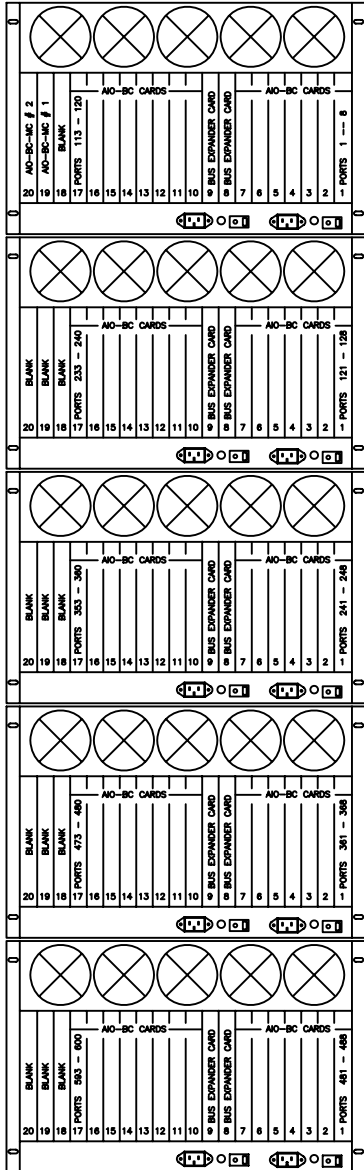
UNLESS OTHERWISE SPECIFIED
MATERIAL
FRESH

CONTRACT NO.
APPROVALS DATE
DRAWN BY: YAU/C.S. BEHREND 14 JUN 2000
CHECKED BY: YAU/C.S. BEHREND 14 JUN 2000
ISSUED
ADAM-DBX-305A

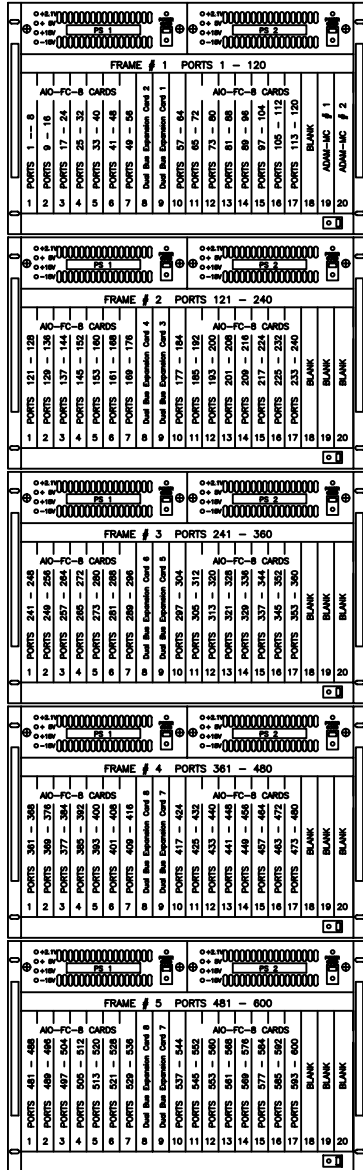
RTS SYSTEMS BUREAK, CALIFORNIA, USA
ADAM 4 FRAMES
INTERCOM MATRIX 448 x 448
DUAL BUS EXPANDER FULL REDUNDANT AUDIO FRAMES LAYOUT AND CABLES
SIZE: FRM. NO. DWG. NO. REV. NO.
D ADAM-DBX-305
SCALE: NO. SHEET

APPLICATION
NEXT ASSY USED ON

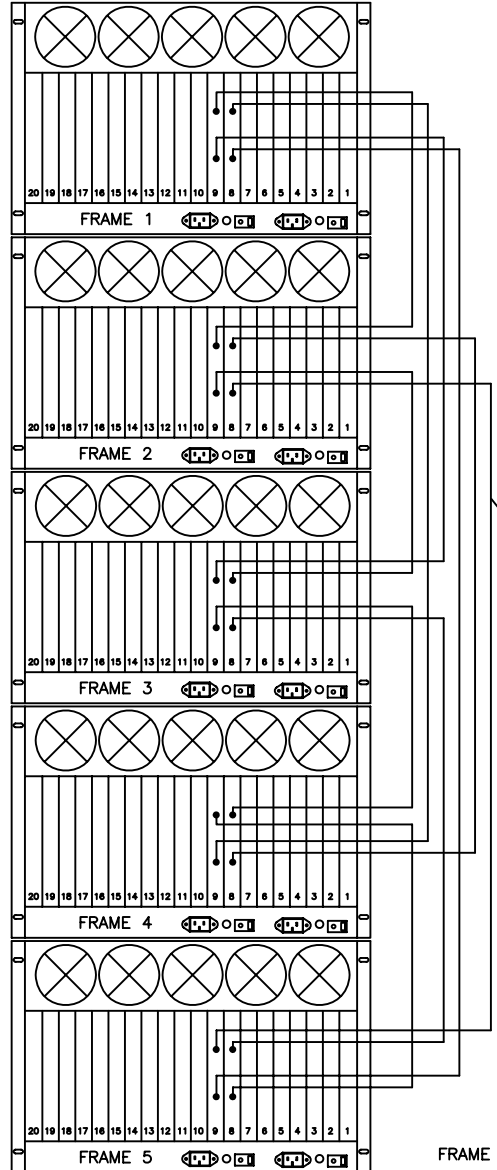
ADAM MATRIX FRAME REAR VIEW



ADAM MATRIX FRAMES FRONT VIEW



BUS EXPANDER INTERCONNECT REAR VIEW



FRAME 1

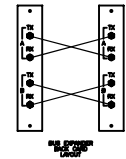
FRAME 2

FRAME 3

FRAME 4

FRAME 5

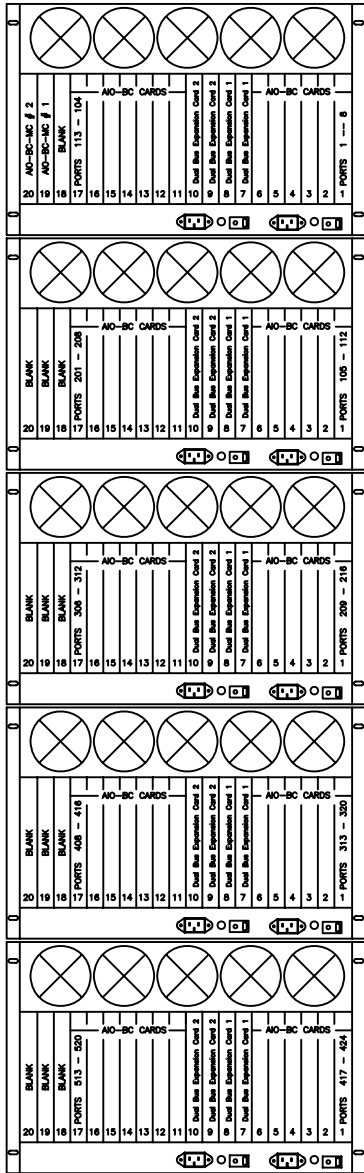
ZONE REV		REVISIONS	DATE	APPROVED



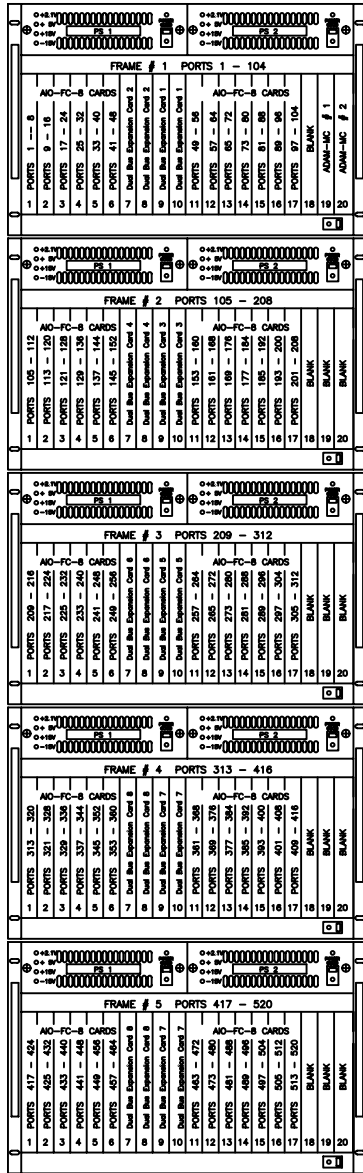
Each line represents 2 coax cables connected to their respective TX and RX connectors as shown above

UNLESS OTHERWISE SPECIFIED RESERVE ALL DIMS & SHIP SHIP TOOLS SELF-DRILLING & SHIP SHIP TOOLS 2000 MIL (11-120), R102 CONNECTIONS ARE IN HOLE PL/18		CONTRACT NO.	RTS SYSTEMS BURBANK, CALIFORNIA, USA	
APPROVALS	DATE	ADAM 5 FRAMES INTERCOM MATRIX 600 x 600 DUAL BUS EXPANDER NON-REDUNDANT AUDIO FRAMES LAYOUT AND CABLES		
DRAWN W. YAU/G. BEHREND	14 JAN 2000	SIZE D	FSCM NO.	DWG NO. ADAM-DBX-306
CHECKED W. YAU/G. BEHREND	14 JAN 2000	ISSUED	SCALE NO.	REV A
MATERIAL	FINISH	ADAM-DBX-306A		

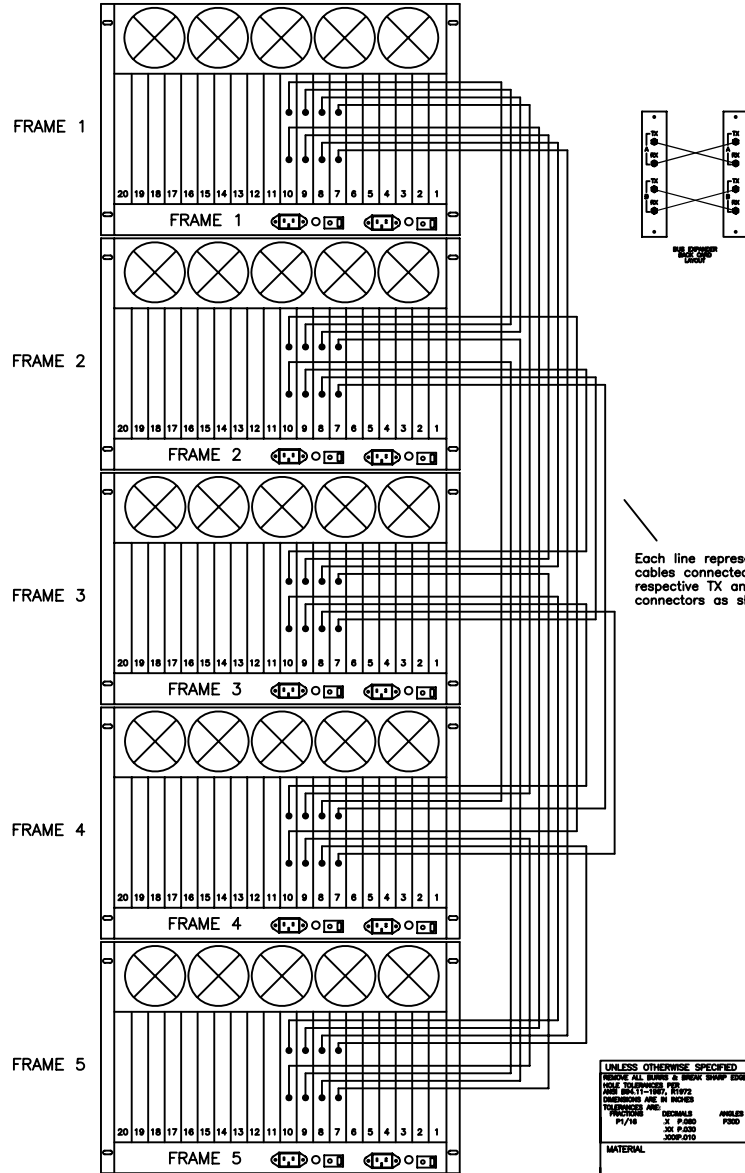
ADAM MATRIX FRAME REAR VIEW



ADAM MATRIX FRAMES FRONT VIEW



BUS EXPANDER INTERCONNECT REAR VIEW



ZONE	REV		REVISIONS	DATE	APPROVED

UNLESS OTHERWISE SPECIFIED RESIZE ALL DIMS & SHIP SHIP DIMS SEE TOLERANCES DUAL MATRIX-120, RT22 CONNECTIONS ARE IN HOLE MATERIAL FINISH		CONTRACT NO.	RTS SYSTEMS BURBANK, CALIFORNIA, USA ADAM 5 FRAMES INTERCOM MATRIX 520 X 520 DUAL BUS EXPANDER FULL-REDUNDANT AUDIO FRAMES LAYOUT AND CABLES	
APPROVALS W. YAU/G. BEHREND CHECKED ISSUED		DATE 14 JAN 2000 14 JAN 2000		
SIZE D		FSCM NO. ADAM-DBX-307A	DWG NO. ADAM-DBX-307	REV A
ADAM-DBX-307A		SCALE NO	SHEET	